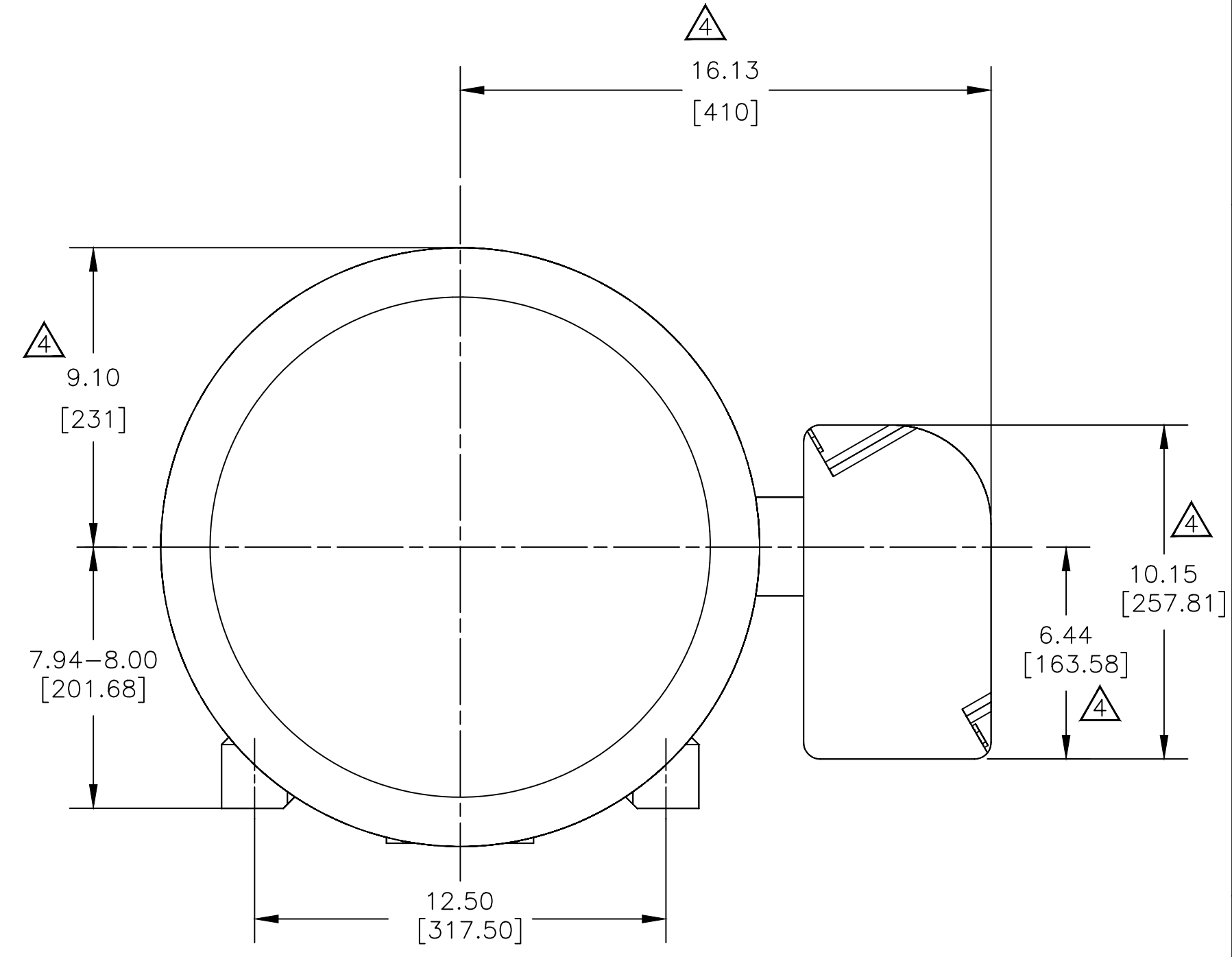
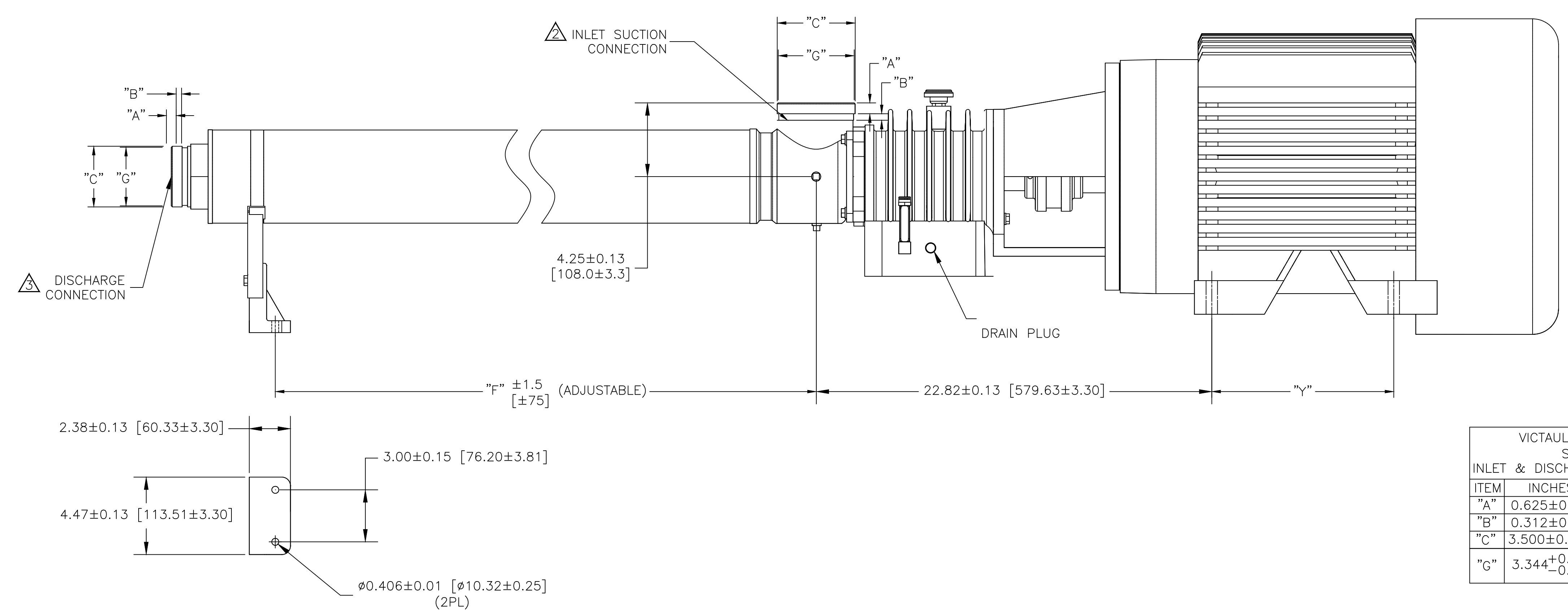
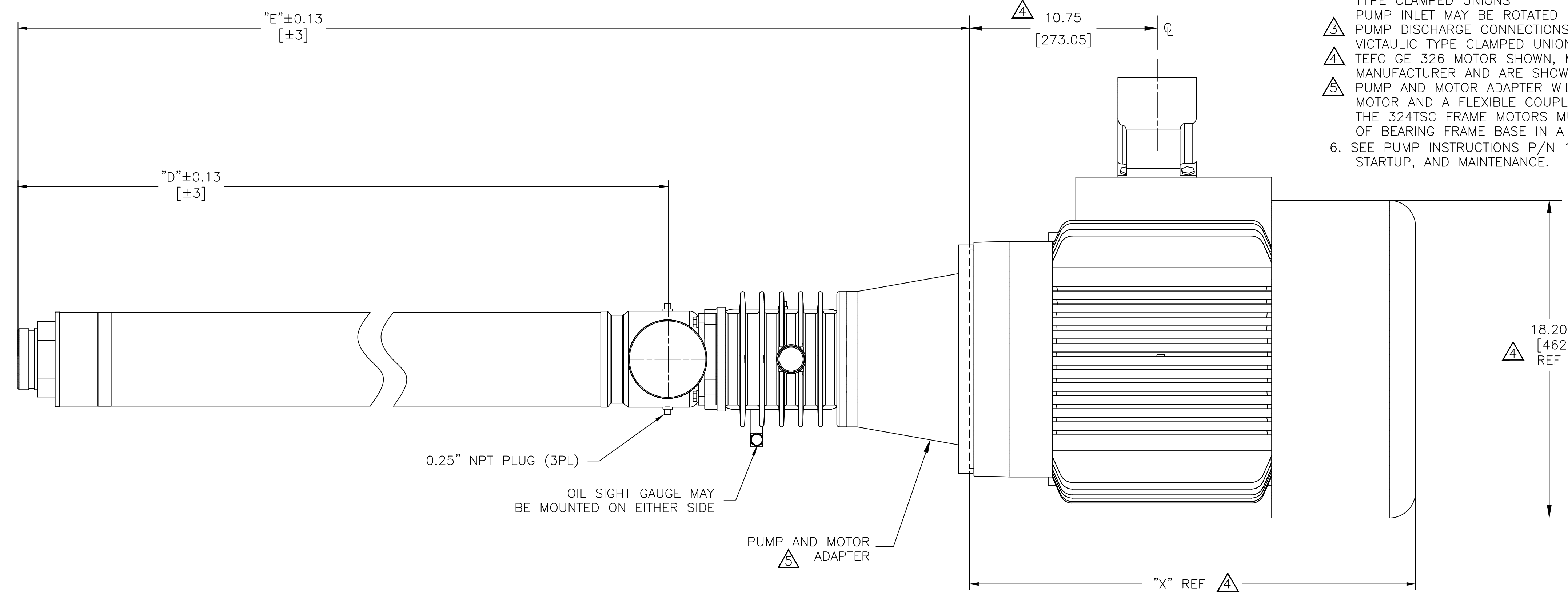


NOTES:

- 1 DIMENSIONS ARE IN INCHES [MILLIMETERS].
- 2 PUMP INLET CONNECTIONS MATE WITH 3-INCH VICTAULIC TYPE CLAMPED UNIONS
- 3 PUMP INLET MAY BE ROTATED IN 90° INCREMENTS.
- 4 PUMP DISCHARGE CONNECTIONS MATE WITH 3-INCH VICTAULIC TYPE CLAMPED UNION
- 5 TEFC GE 326 MOTOR SHOWN, MOTOR DIMENSIONS WILL VARY WITH MANUFACTURER AND ARE SHOWN FOR REFERENCE ONLY.
- 6 PUMP AND MOTOR ADAPTER WILL ACCEPT NEMA 324TSC FRAMES 3565 RPM ELECTRIC MOTOR AND A FLEXIBLE COUPLING WITH THE END OF THE PUMP DRIVE SHAFT. THE 324TSC FRAME MOTORS MUST HAVE A BASE AND BE RIGIDLY MOUNTED. MOUNTING OF BEARING FRAME BASE IN A STRAIN-FREE MANNER IS OPTIONAL WITH 324TSC FRAME MOTORS.
- 6. SEE PUMP INSTRUCTIONS P/N 1125317 FOR ADDITIONAL INFORMATION ON INSTALLATION, STARTUP, AND MAINTENANCE.



| VICTAULIC® DIMENSIONS<br>STANDARD 3"<br>INLET & DISCHARGE CONNECTIONS |   |   |
|---|---|---|
| ITEM  | INCHES                                    | MILLIMETERS                             |
| "A"   | 0.625±0.031                               | 15.88±0.78                              |
| "B"   | 0.312±0.031                               | 7.94±0.78                               |
| "C"   | 3.500±0.031                               | 88.90±0.78                              |
| "G"   | 3.344 <sup>+0.000</sup> <sub>-0.018</sub> | 84.94 <sup>+0.00</sup> <sub>-0.46</sub> |

| MODELS     |            | "D"    | "E"    | "F"    |
|------------|------------|--------|--------|--------|
| 60HZ       | 50HZ       | INCHES | INCHES | INCHES |
| AS14016KZE | AS14016KZE | 68.88  | 86.17  | 62.88  |
| AS14021KZE | AS14021KZE | 87.80  | 105.09 | 81.80  |
| -          | AS14024KZE | 99.15  | 116.44 | 93.15  |

| NEMA FRAME SIZE | "X"    |      | "Y"    |      |
|-----------------|--------|------|--------|------|
|                 | INCHES | [MM] | INCHES | [MM] |
| 324TSC          | 25.88  | 657  | 10.50  | 266  |
| 326TSC          | 26.88  | 682  | 12.00  | 305  |

| REV | DESCRIPTION                             | ECO    | DWN | APPR | APPR | DATE      |
|-----|---|--------|-----|------|------|-----------|
| D   | SUEZ REBRANDING                         | 131562 | TG  | SR   | MS   | 20 Sep 18 |
| C   | SUCTION HEIGHT ADJUSTED                 | 15466  | GMK | SS   | MG   | 30JAN13   |
| B   | CORRECTED TABLES, REVISED DIMENSIONS IN | 15205  | GMK | SS   | MG   | 09AUG12   |
| A   | INITIAL RELEASE                         | 14826  | -   | -    | -    | -         |

| TOLERANCES UNLESS NOTED |        |
|-------------------------|--------|
| DECIMALS                | ANGLES |
| .X 0.1                  | 2      |
| .XX 0.03                | FRAC   |
| .XXX 0.010              |        |



CUSTOMER INFORMATION

DWG,TF,OUTLINE,AS14000KZE,  
324/326TSC NEMA MOTOR

| DRAWING NUMBER |             |                   |       | REVISION |        |
|----------------|-------------|-------------------|-------|----------|--------|
| 1310577        |             |                   |       | D        |        |
| REF.:          | PROJECT NO. | PART/MATERIAL NO. | SCALE | SIZE     | SHEET  |
| -              |             |                   | 1:4   | D        | 1 OF 1 |