

D

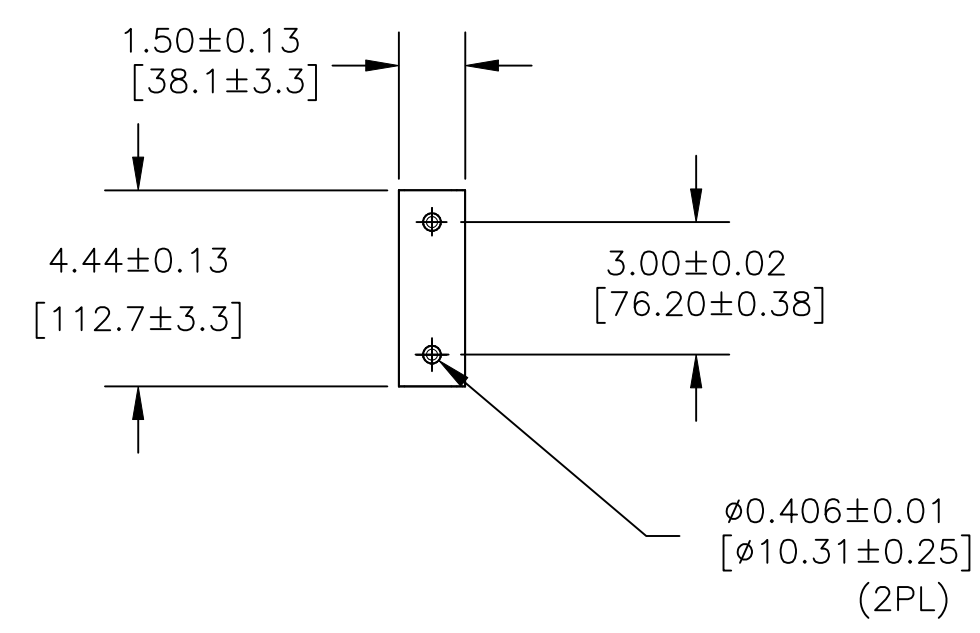
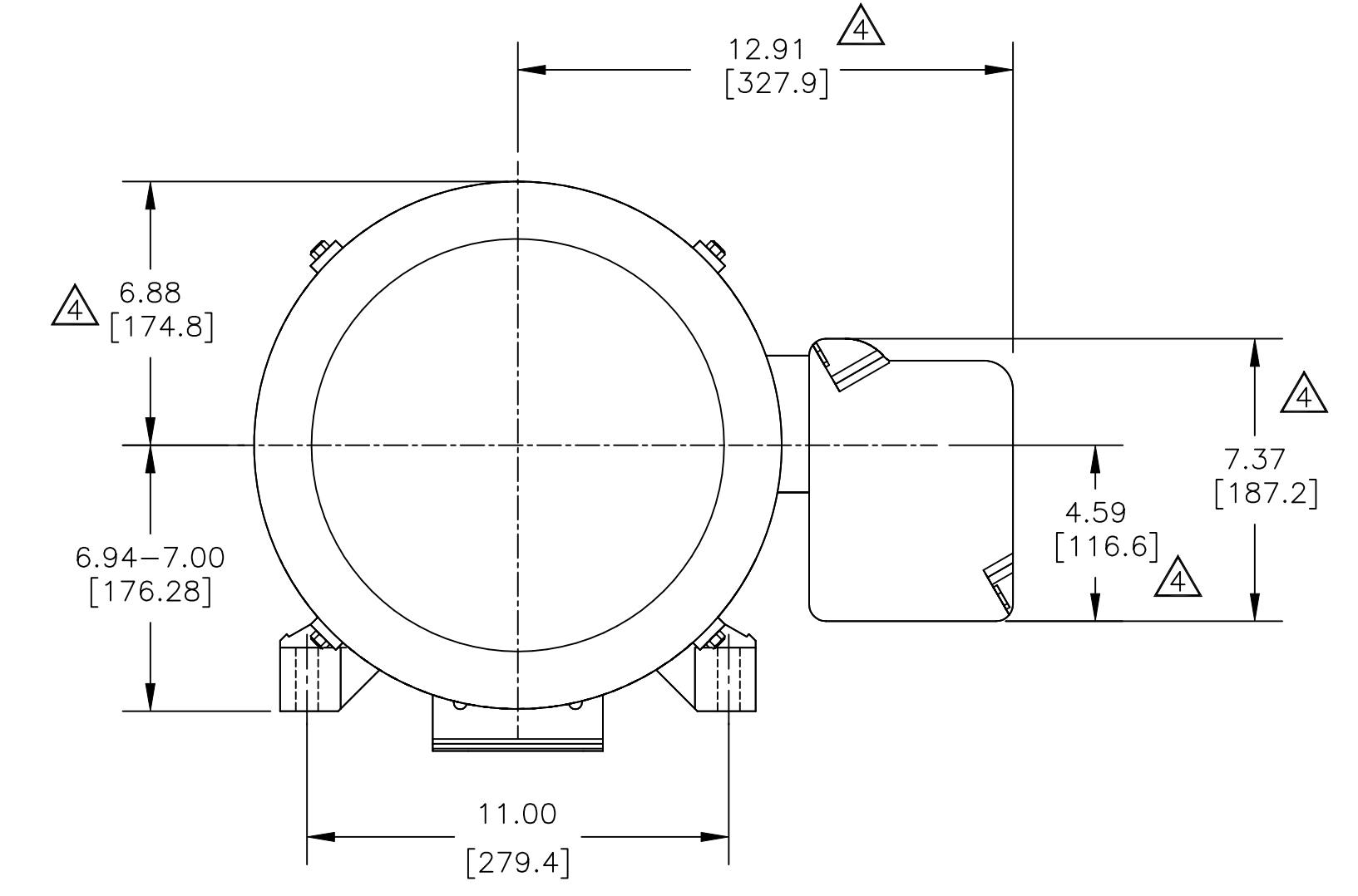
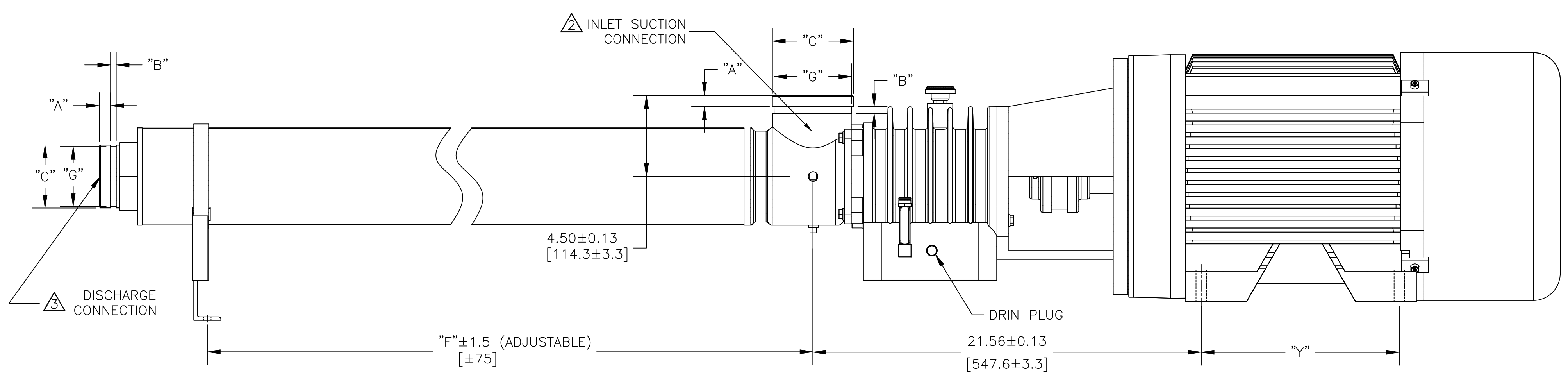
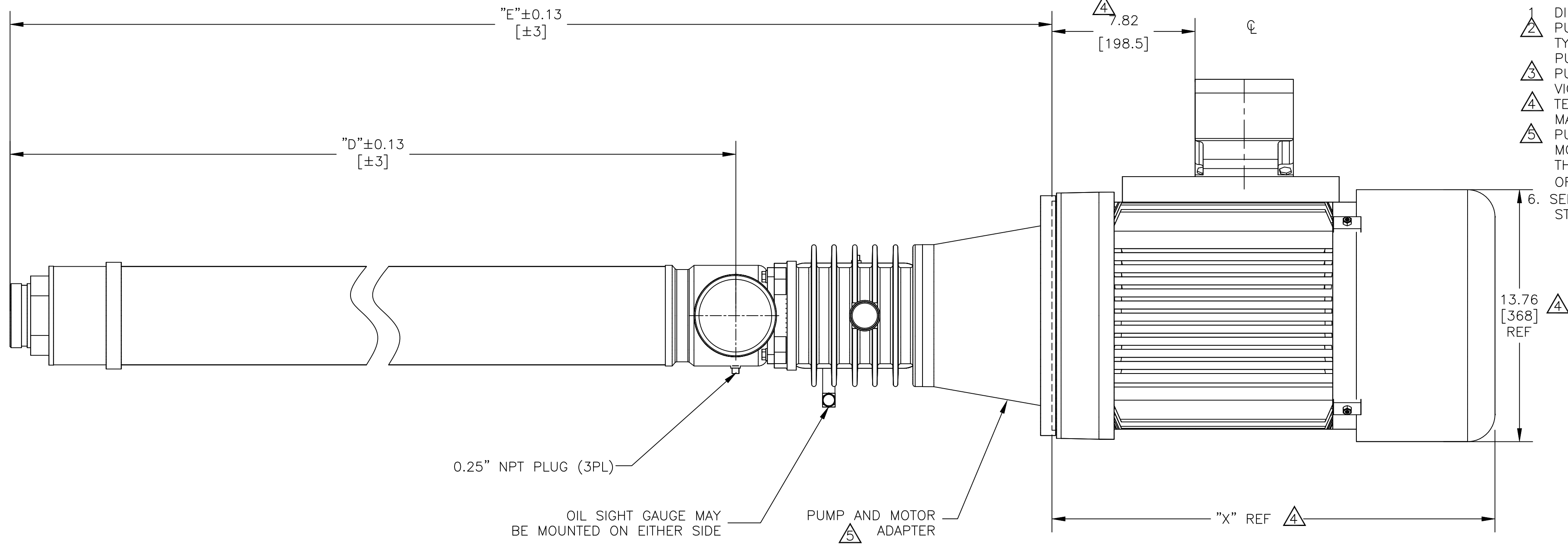
C

B

A

NOTES:

- 1 DIMENSIONS ARE IN INCHES [MILLIMETERS].
- 2 PUMP INLET CONNECTIONS MATE WITH 3-INCH VICTAULIC TYPE CLAMPED UNION.
- 3 PUMP INLET MAY BE ROTATED IN 90° INCREMENTS.
- 4 PUMP DISCHARGE CONNECTIONS MATE WITH 3-INCH VICTAULIC TYPE CLAMPED UNION.
- 5 TEFC GE 284TSC MOTOR SHOWN, MOTOR DIMENSIONS WILL VARY WITH MANUFACTURER AND ARE SHOWN FOR REFERENCE ONLY.
- 6 PUMP AND MOTOR ADAPTER WILL ACCEPT NEMA 284TSC FRAMES 3565 RPM ELECTRIC MOTOR AND A FLEXIBLE COUPLING WITH THE END OF THE PUMP DRIVE SHAFT.
- 7 THE 284TSC FRAME MOTORS MUST HAVE A BASE AND BE RIGIDLY MOUNTED. MOUNTING OF BEARING FRAME BASE IN A STRAIN-FREE MANNER IS OPTIONAL WITH 284/286TSC FRAME MOTORS.
- 8 SEE PUMP INSTRUCTIONS P/N 1125317 FOR ADDITIONAL INFORMATION ON INSTALLATION, STARTUP, AND MAINTENANCE.



| VICTAULIC® DIMENSIONS STANDARD 3" | | |
|--------------------------------------|---|---|
| INLET & DISCHARGE CONNECTIONS | | |
| ITEM | INCHES | MILLIMETERS |
| "A" | 0.625±0.031 | 15.88±0.78 |
| "B" | 0.312±0.031 | 7.94±0.78 |
| "C" | 3.500±0.031 | 88.90±0.78 |
| "G" | 3.344 ^{+0.000} _{-0.018} | 84.94 ^{+0.00} _{-0.46} |

| NEMA FRAME SIZE | "X" | | "Y" | |
|-----------------|--------|------|--------|-------|
| | INCHES | [MM] | INCHES | [MM] |
| 284TSC | 24.20 | 615 | 11.00 | 279.4 |

| MODELS | | "D" | "E" | "F" |
|------------|------------|--------|--------|--------|
| 60HZ | 50HZ | INCHES | INCHES | INCHES |
| AS14010KZC | AS14010KZC | 46.19 | 62.72 | 40.19 |

| | | | | | | | | | | | | | | | | |
|-----|--|-------|-----|------|---------|------|---|--------------------|-----------------|---|---|---|----------|--------------|-----------------|--|
| REV | DESCRIPTION | ECO | DWN | APVD | DATE | CHKD | TOLERANCES UNLESS NOTED DECIMALS .X ± 0.1 .XX ± 0.03 .XXX ± 0.010 | DRAWN BY GMK | DATE 16MAR12 | GE Water & Process Technologies <small>GLOBAL HEADQUARTERS : TREVOSE, PA USA +1-215-355-3300 WWW.GEWATER.COM</small> | CLIENT/JOB | TITLE | SIZE | DRAWING NO. | REV | |
| | | | | | | | | CHECKED BY MG | DATE 13APR12 | | | DWG,TF,OUTLINE,AS14000KZC, 284TSC NEMA MOTOR | D | 1310576 | B | |
| B | CORRECTED TABLES, REVISED DIMENSIONS IN THE MODELS TABLE | 15205 | GMK | MG | 09AUG12 | SS | DIMENSIONS IN INCHES DO NOT SCALE | APPROVED BY BRB | DATE 13APR12 | | THIS DRAWING, THE DESIGN AND THE PATENTS IT COVERS, IS THE PROPERTY OF GENERAL ELECTRIC COMPANY AND ITS AFFILIATES AND THE INFORMATION CONTAINED HEREIN IS PROPRIETARY INFORMATION WHICH IS NOT TO BE DISCLOSED TO ANYONE WITHOUT PRIOR WRITTEN CONSENT OF SAID COMPANY. THIS DRAWING IS TO BE USED EXCLUSIVELY FOR THE PURPOSES EXPRESSLY AUTHORIZED BY GENERAL ELECTRIC COMPANY AND ITS AFFILIATES THROUGH ITS OFFICERS AND QUALIFIED REPRESENTATIVES AND FOR NO OTHER PURPOSE. NEITHER THIS DRAWING, NOR ANY PORTION THEREOF, SHALL BE REPRODUCED WITHOUT THE PRIOR WRITTEN CONSENT OF SAID COMPANY, AND ANY SUCH REPRODUCTION SHALL BEAR THIS NOTICE. | FILE AUTOCAD | MATERIAL | SCALE 1:4 | SHEET 1 OF 1 | |
| A | INITIAL RELEASE | 14826 | - | - | - | - | THIRD ANGLE | APPROVED BY | DATE | | | | | | | |