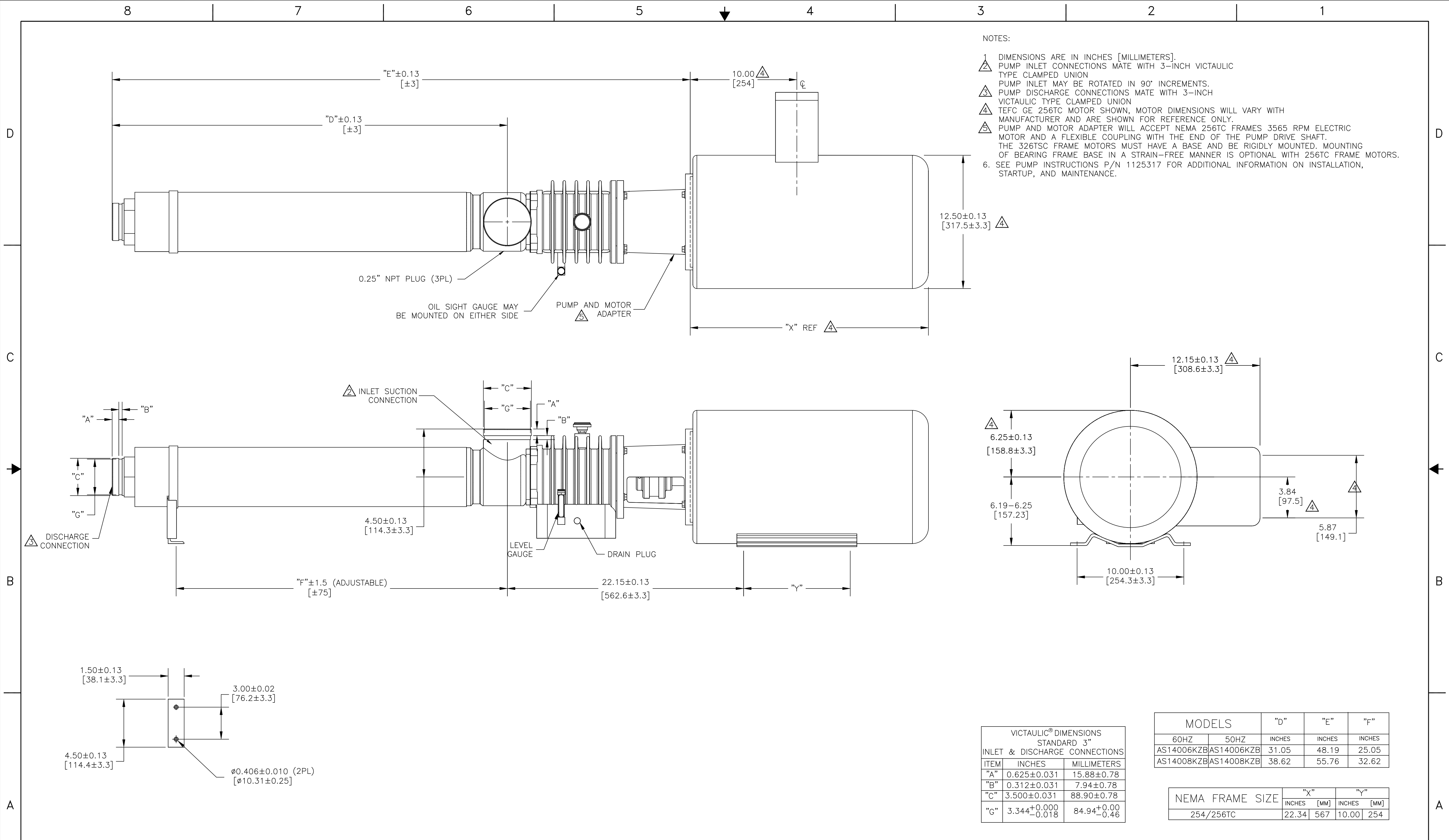


NOTES:

- 1 DIMENSIONS ARE IN INCHES [MILLIMETERS].
- 2 PUMP INLET CONNECTIONS MATE WITH 3-INCH VICTAULIC TYPE CLAMPED UNION
- 3 PUMP INLET MAY BE ROTATED IN 90° INCREMENTS.
- 4 PUMP DISCHARGE CONNECTIONS MATE WITH 3-INCH VICTAULIC TYPE CLAMPED UNION
- 5 TEFC GE 256TC MOTOR SHOWN, MOTOR DIMENSIONS WILL VARY WITH MANUFACTURER AND ARE SHOWN FOR REFERENCE ONLY.
- 6 PUMP AND MOTOR ADAPTER WILL ACCEPT NEMA 256TC FRAMES 3565 RPM ELECTRIC MOTOR AND A FLEXIBLE COUPLING WITH THE END OF THE PUMP DRIVE SHAFT. THE 326TSC FRAME MOTORS MUST HAVE A BASE AND BE RIGIDLY MOUNTED. MOUNTING OF BEARING FRAME BASE IN A STRAIN-FREE MANNER IS OPTIONAL WITH 256TC FRAME MOTORS.
6. SEE PUMP INSTRUCTIONS P/N 1125317 FOR ADDITIONAL INFORMATION ON INSTALLATION, STARTUP, AND MAINTENANCE.



VICTAULIC® DIMENSIONS STANDARD 3\"/>		
ITEM	INCHES	MILLIMETERS
"A"	0.625±0.031	15.88±0.78
"B"	0.312±0.031	7.94±0.78
"C"	3.500±0.031	88.90±0.78
"G"	3.344 ^{+0.000} _{-0.018}	84.94 ^{+0.00} _{-0.46}

MODELS		"D"	"E"	"F"
60HZ	50HZ	INCHES	INCHES	INCHES
AS14006KZB	AS14006KZB	31.05	48.19	25.05
AS14008KZB	AS14008KZB	38.62	55.76	32.62

NEMA FRAME SIZE	"X"		"Y"	
	INCHES	[MM]	INCHES	[MM]
254/256TC	22.34	567	10.00	254

REV	DESCRIPTION	ECO	DWN	APVD	DATE	CHKD	TOLERANCES UNLESS NOTED DECIMALS .X ± 0.1 .XX ± 0.03 .XXX ± 0.010	ANGLES ± 2 FRAC ±	DRAWN BY GMK	DATE 16MAR12	CLIENT/JOB	TITLE DWG,TF,OUTLINE,AS14000KZB, 254/256TC NEMA MOTOR	SIZE D	DRAWING NO. 1310575	REV B
B	CORRECTED TABLES, REVISED DIMENSIONS IN	15205	GMK	MG	09AUG12	SS	DIMENSIONS IN INCHES DO NOT SCALE	THIRD ANGLE	CHECKED BY MG	DATE 13APR12	FILE AUTOCAD	MATERIAL	SCALE 1:4	SHEET 1 OF 1	
A	INITIAL RELEASE	14826	-	-	-	-			APPROVED BY BRB	DATE 13APR12					

GE
Water & Process Technologies
GLOBAL HEADQUARTERS : TREVISOE, PA USA +1-215-355-3300 WWW.GEWATER.COM

THIS DRAWING, THE DESIGN AND THE PATENTS IT COVERS, IS THE PROPERTY OF GENERAL ELECTRIC COMPANY AND ITS AFFILIATES AND THE INFORMATION CONTAINED HEREIN IS PROPRIETARY INFORMATION WHICH IS NOT TO BE DISCLOSED TO ANYONE WITHOUT PRIOR WRITTEN CONSENT OF SAID COMPANY. THIS DRAWING IS TO BE USED EXCLUSIVELY FOR THE PURPOSES EXPRESSLY AUTHORIZED BY GENERAL ELECTRIC COMPANY AND ITS AFFILIATES THROUGH ITS OFFICERS AND QUALIFIED REPRESENTATIVES AND FOR NO OTHER PURPOSE. NEITHER THIS DRAWING, NOR ANY PORTION THEREOF, SHALL BE REPRODUCED WITHOUT THE PRIOR WRITTEN CONSENT OF SAID COMPANY AND ANY SUCH REPRODUCTION SHALL BEAR THIS NOTICE.