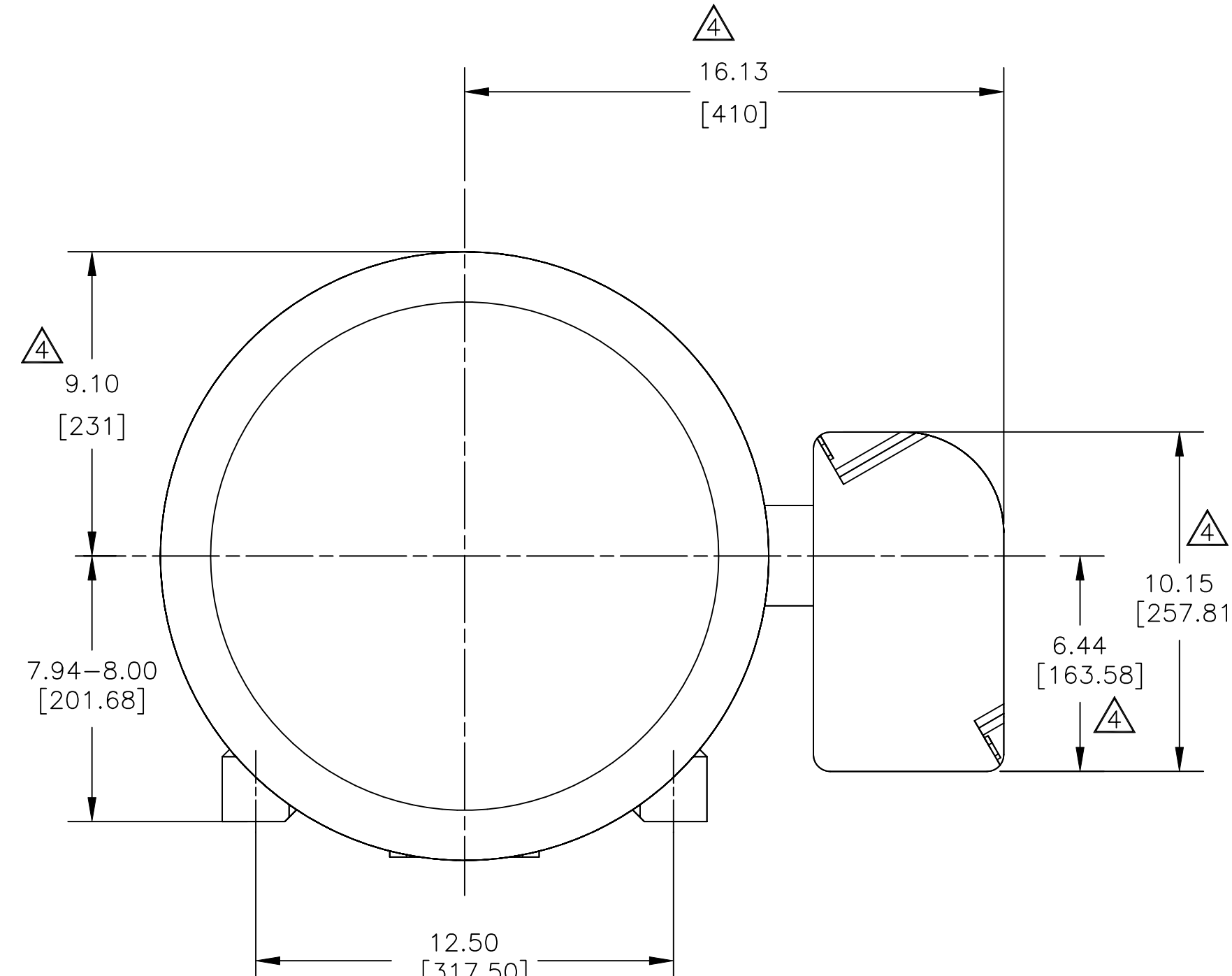
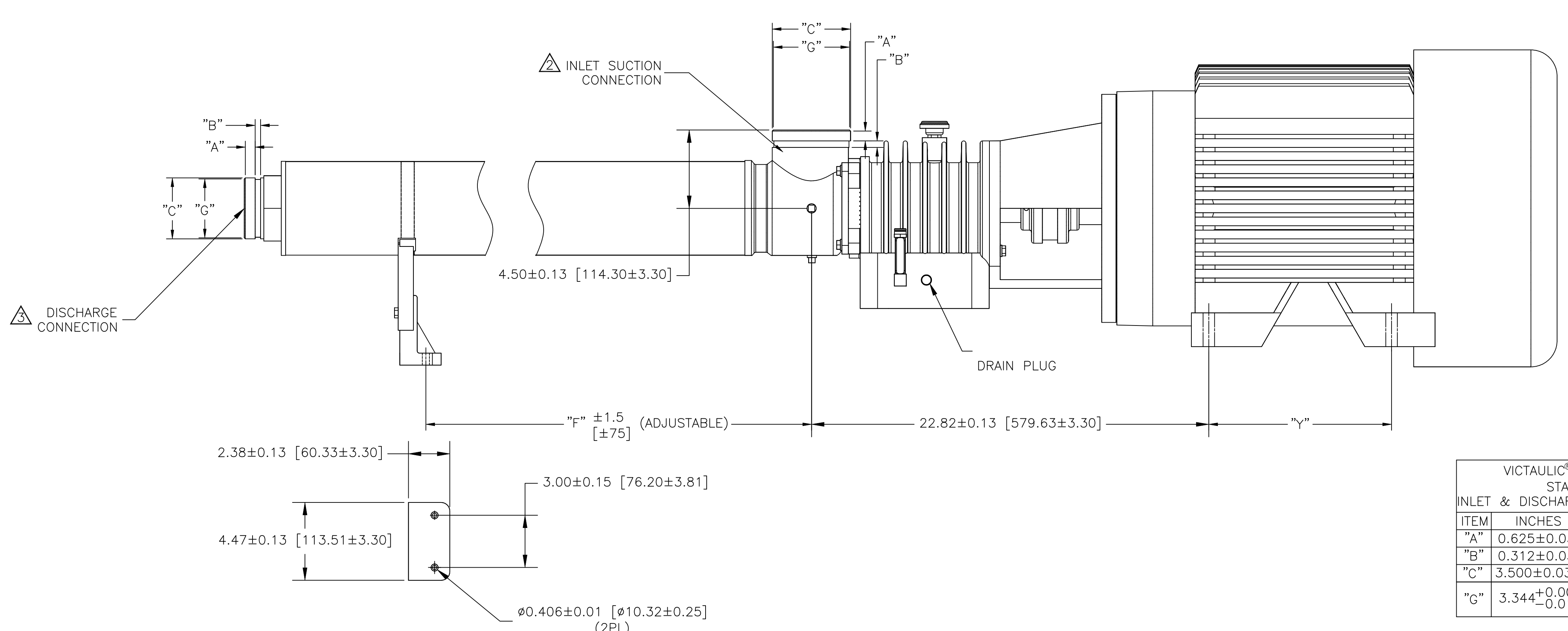
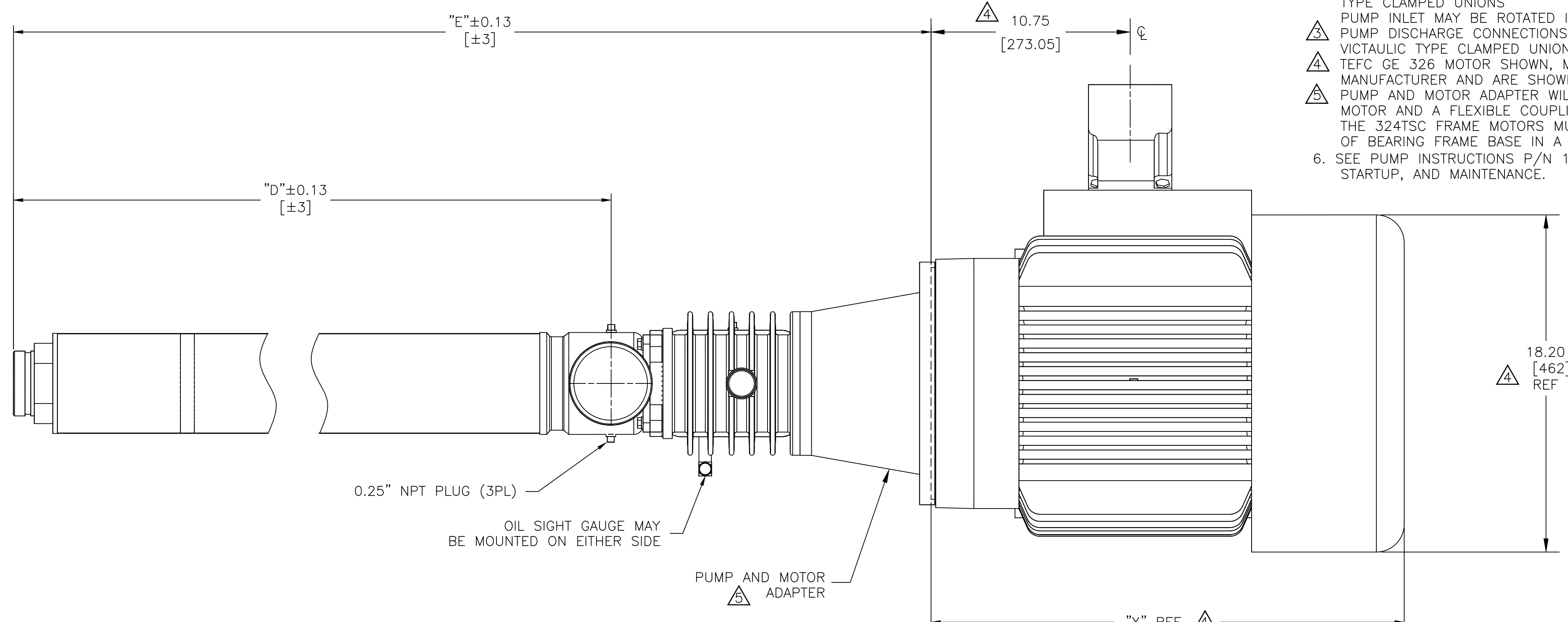


NOTES:

- 1 DIMENSIONS ARE IN INCHES [MILLIMETERS].
- 2 PUMP INLET CONNECTIONS MATE WITH 3-INCH VICTAULIC TYPE CLAMPED UNIONS
- 3 PUMP INLET MAY BE ROTATED IN 90° INCREMENTS.
- 4 PUMP DISCHARGE CONNECTIONS MATE WITH 3-INCH VICTAULIC TYPE CLAMPED UNION
- 5 TEFC GE 326 MOTOR SHOWN, MOTOR DIMENSIONS WILL VARY WITH MANUFACTURER AND ARE SHOWN FOR REFERENCE ONLY.
- 6 PUMP AND MOTOR ADAPTER WILL ACCEPT NEMA 324TSC FRAMES 3565 RPM ELECTRIC MOTOR AND A FLEXIBLE COUPLING WITH THE END OF THE PUMP DRIVE SHAFT. THE 324TSC FRAME MOTORS MUST HAVE A BASE AND BE RIGIDLY MOUNTED. MOUNTING OF BEARING FRAME BASE IN A STRAIN-FREE MANNER IS OPTIONAL WITH 324TSC FRAME MOTORS.
- 6. SEE PUMP INSTRUCTIONS P/N 1125317 FOR ADDITIONAL INFORMATION ON INSTALLATION, STARTUP, AND MAINTENANCE.



VICTAULIC® DIMENSIONS STANDARD 3"		
INLET & DISCHARGE CONNECTIONS		
ITEM	INCHES	MILLIMETERS
"A"	0.625±0.031	15.88±0.78
"B"	0.312±0.031	7.94±0.78
"C"	3.500±0.031	88.90±0.78
"G"	3.344 ^{+0.000} _{-0.018}	84.94 ^{+0.00} _{-0.46}

NEMA FRAME SIZE	"X"		"Y"	
	INCHES	[MM]	INCHES	[MM]
324TSC	23.82	605	10.50	266

MODELS		"D"	"E"	"F"
60HZ	50HZ	INCHES	INCHES	INCHES
AS9027KZE	AS9027KZE	72.72	90.01	66.72

REV	DESCRIPTION	ECO	DWN	APVD	DATE	CHKD
B	CORRECTED TABLES, REVISED DIMENTIONS IN	15205	GMK	MG	09AUG12	SS
A	INITIAL RELEASE	14825	-	-	-	-

TOLERANCES UNLESS NOTED	
DECIMALS	ANGLES
.X ±.1	± 2
.XX ±.03	FRAC ±
.XXX ±.010	

DRAWN BY	DATE
GMK	28FEB12
CHECKED BY	DATE
MG	22MAR12
APPROVED BY	DATE
BRB	22MAR12
APPROVED BY	DATE
-	-

GE
Water & Process Technologies

GLOBAL HEADQUARTERS : TREVOSE, PA USA +1-215-355-3300 WWW.GEWATER.COM

THIS DRAWING, THE DESIGN AND THE PATENTS IT COVERS, IS THE PROPERTY OF GENERAL ELECTRIC COMPANY AND ITS AFFILIATES AND THE INFORMATION CONTAINED HEREIN IS PROPRIETARY INFORMATION WHICH IS NOT TO BE DISCLOSED TO ANYONE WITHOUT PRIOR WRITTEN CONSENT OF SAID COMPANY. THIS DRAWING IS TO BE USED EXCLUSIVELY FOR THE PURPOSES EXPRESSLY AUTHORIZED BY GENERAL ELECTRIC COMPANY AND ITS AFFILIATES THROUGH ITS OFFICERS AND QUALIFIED REPRESENTATIVES AND FOR NO OTHER PURPOSE. NEITHER THIS DRAWING NOR ANY PORTION THEREOF, SHALL BE REPRODUCED WITHOUT THE PRIOR WRITTEN CONSENT OF SAID COMPANY, AND ANY SUCH REPRODUCTION SHALL BEAR THIS NOTICE.

CLIENT/JOB	TITLE
	DWG,TF,OUTLINE,AS9000KZE, 324TSC NEMA MOTOR
FILE	MATERIAL
AUTOCAD	

SIZE	DRAWING NO.	REV
D	1310490	B
PROJECT		
SCALE	1:4	SHEET 1 OF 1

REV	DESCRIPTION	ECO	DWN	APVD	DATE	CHKD
B	CORRECTED TABLES, REVISED DIMENTIONS IN	15205	GMK	MG	09AUG12	SS
A	INITIAL RELEASE	14825	-	-	-	-