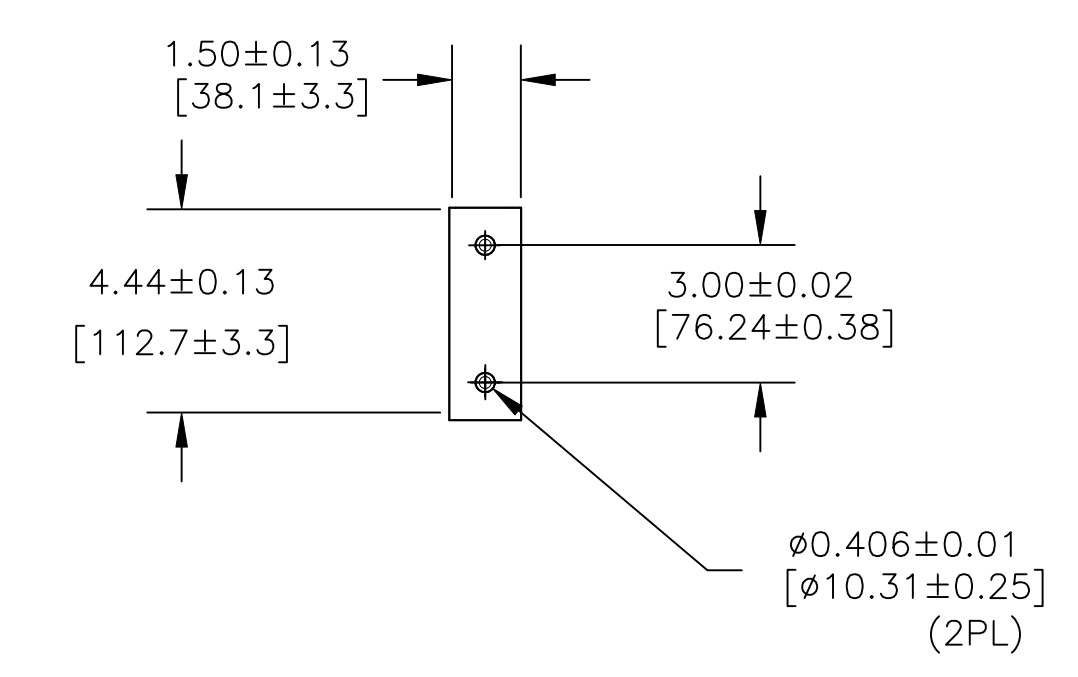
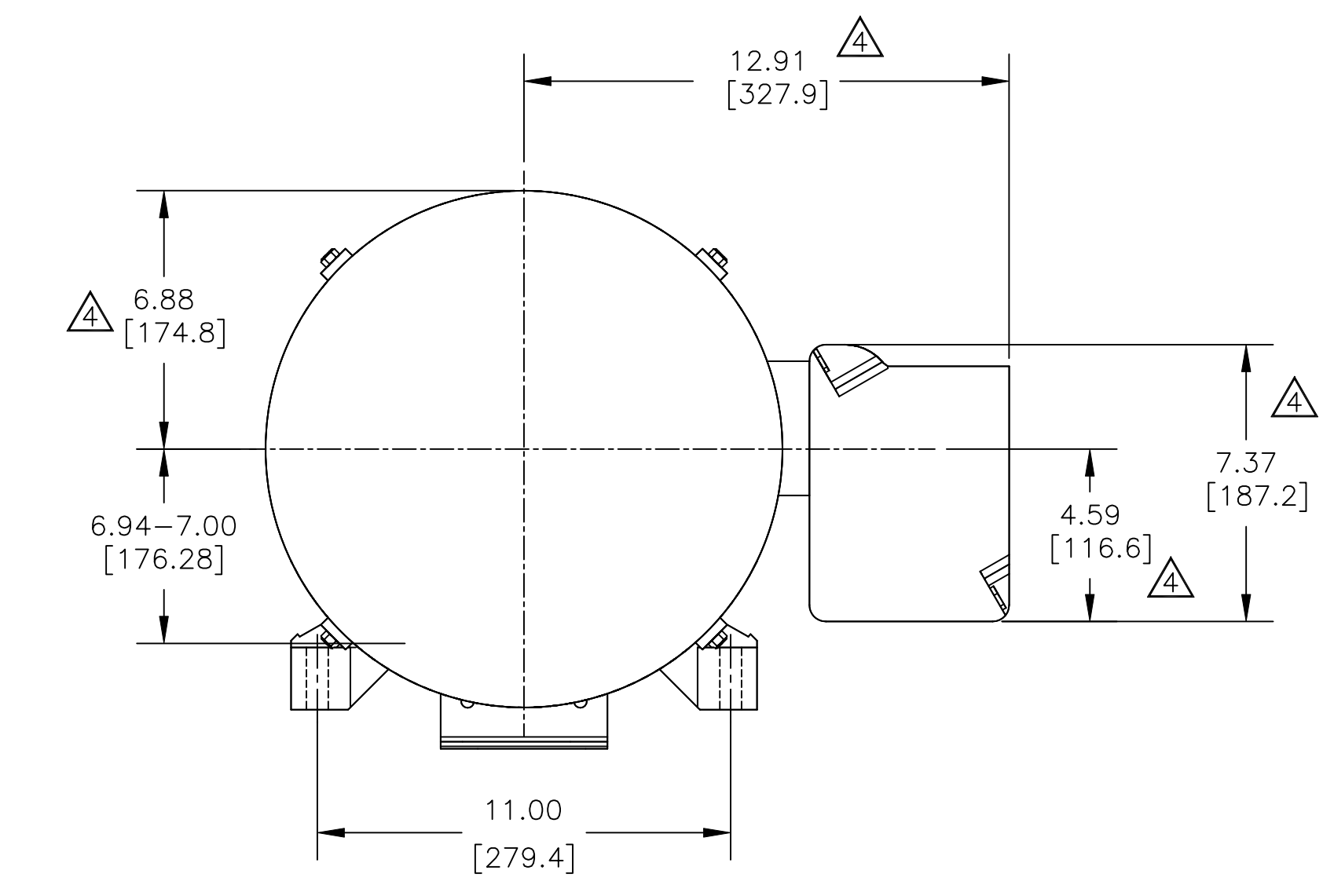
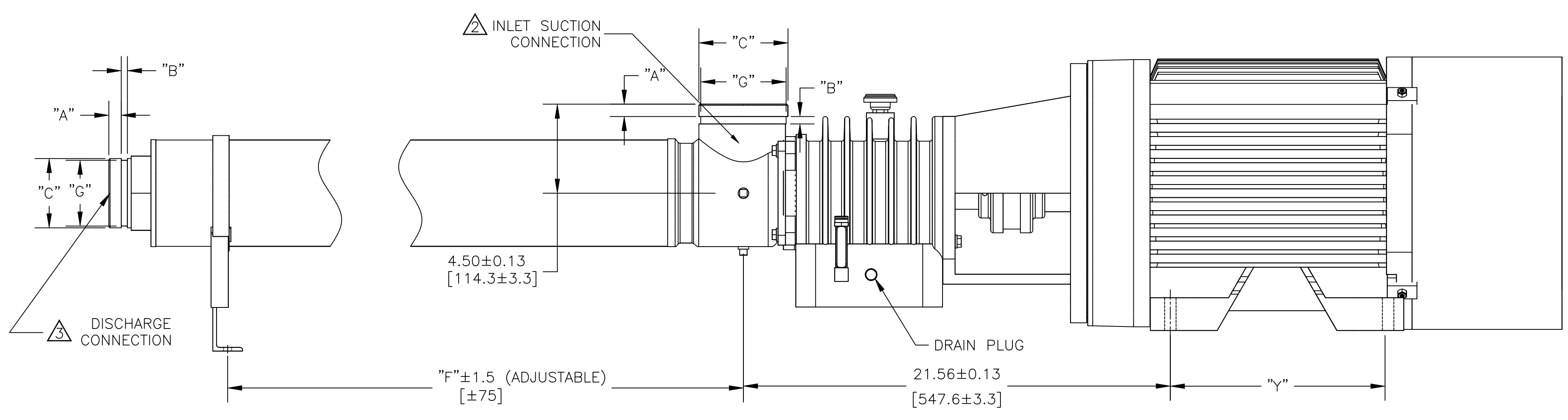
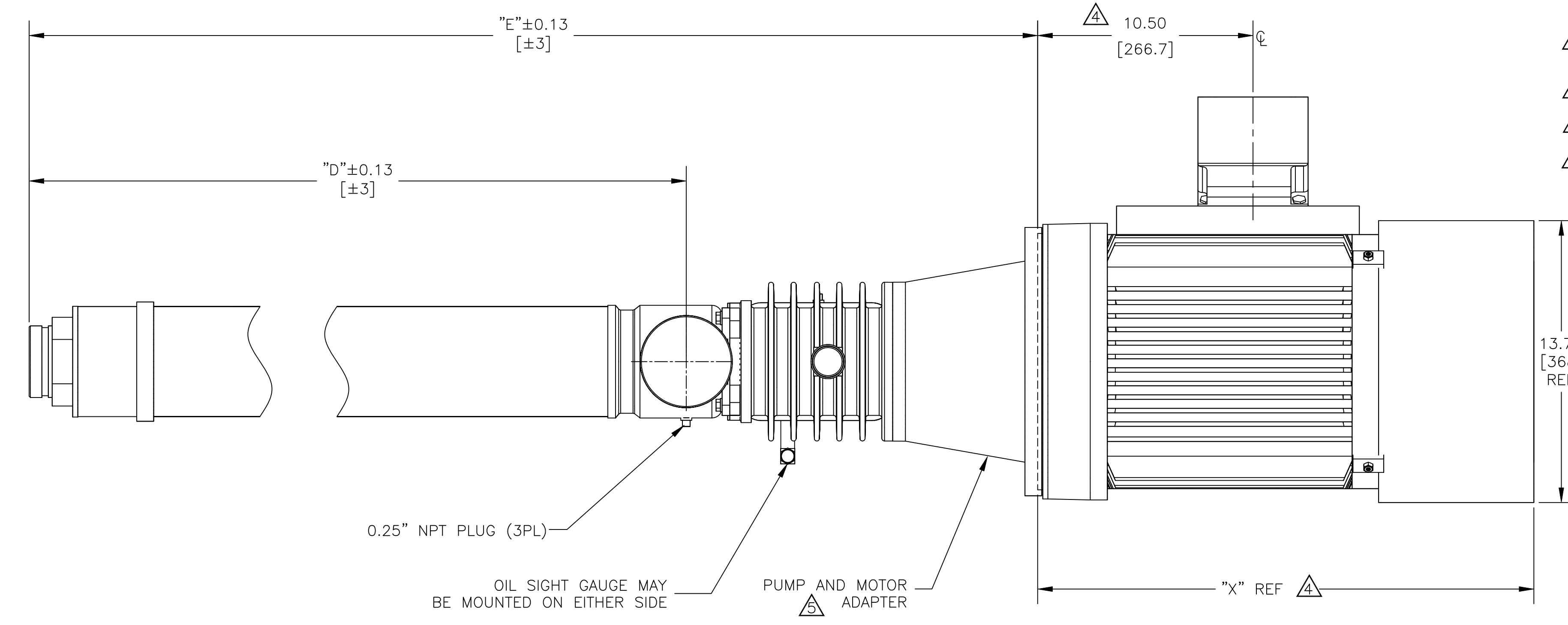


NOTES:

- 1 DIMENSIONS ARE IN INCHES [MILLIMETERS].  
PUMP INLET CONNECTIONS MATE WITH 3-INCH VICTAULIC TYPE CLAMPED UNION.
- 2 PUMP INLET MAY BE ROTATED IN 90° INCREMENTS.
- 3 PUMP DISCHARGE CONNECTIONS MATE WITH 3-INCH VICTAULIC TYPE CLAMPED UNION.
- 4 TEFC GE 284TSC MOTOR SHOWN, MOTOR DIMENSIONS WILL VARY WITH MANUFACTURER AND ARE SHOWN FOR REFERENCE ONLY.
- 5 PUMP AND MOTOR ADAPTER WILL ACCEPT NEMA 284/286TSC FRAMES 3565 RPM ELECTRIC MOTOR AND A FLEXIBLE COUPLING WITH THE END OF THE PUMP DRIVE SHAFT.  
THE 284/286TSC FRAME MOTORS MUST HAVE A BASE AND BE RIGIDLY MOUNTED. MOUNTING OF BEARING FRAME BASE IN A STRAIN-FREE MANNER IS OPTIONAL WITH 284/286TSC FRAME MOTORS.
- 6 SEE PUMP INSTRUCTIONS P/N 1125317 FOR ADDITIONAL INFORMATION ON INSTALLATION, STARTUP, AND MAINTENANCE.



VICTAULIC® DIMENSIONS STANDARD 3" INLET & DISCHARGE CONNECTIONS		
ITEM	INCHES	MILLIMETERS
"A"	0.625 ± 0.031	15.88 ± 0.78
"B"	0.312 ± 0.031	7.94 ± 0.78
"C"	3.500 ± 0.031	88.90 ± 0.78
"G"	3.344 <sup>+0.000</sup> <sub>-0.018</sub>	84.94 <sup>+0.00</sup> <sub>-0.46</sub>

NEMA FRAME SIZE	"X"		"Y"	
	INCHES	[MM]	INCHES	[MM]
284TSC	24.20	560	9.50	241
286TSC	24.20	598	11.00	279

MODELS		"D"	"E"	"F"
60HZ	50HZ	INCHES	INCHES	INCHES
AS9017KZC	AS9017KZC	48.88	66.02	42.88
AS9022KZC	AS9022KZC	60.80	77.33	54.80
	AS9029KZC	77.39	87.62	71.39

REV	DESCRIPTION	ECO	DWN	APVD	DATE	CHKD	TOLERANCES UNLESS NOTED DECIMALS .X ± .1 .XX ± .03 .XXX ± .010	DRAWN BY GMK	DATE 12MAR12	<b>GE</b> Water & Process Technologies <small>GLOBAL HEADQUARTERS : TREVOSE, PA USA +1-215-355-3300 WWW.GEWATER.COM</small>	CLIENT/JOB	TITLE	SIZE	DRAWING NO.	REV
B	CORRECTED TABLES, REVISED DIMENTIONS IN	15205	GMK	MG	09AUG12	SS	DIMENSIONS IN INCHES DO NOT SCALE	CHECKED BY MG	DATE 22MAR12		THIS DRAWING, THE DESIGN AND THE PATENTS IT COVERS, IS THE PROPERTY OF GENERAL ELECTRIC COMPANY AND ITS AFFILIATES AND THE INFORMATION CONTAINED HEREIN IS PROPRIETARY INFORMATION WHICH IS NOT TO BE DISCLOSED TO ANYONE WITHOUT PRIOR WRITTEN CONSENT OF SAID COMPANY. THIS DRAWING IS TO BE USED EXCLUSIVELY FOR THE PURPOSES EXPRESSLY AUTHORIZED BY GENERAL ELECTRIC COMPANY AND ITS AFFILIATES THROUGH ITS OFFICERS AND QUALIFIED REPRESENTATIVES AND FOR NO OTHER PURPOSE. NEITHER THIS DRAWING NOR ANY PORTION THEREOF, SHALL BE REPRODUCED WITHOUT THE PRIOR WRITTEN CONSENT OF SAID COMPANY, AND ANY SUCH REPRODUCTION SHALL BEAR THIS NOTICE.	DWG,TF,OUTLINE,AS9000KZC, 284/286TSC NEMA MOTOR	D	1310489	B
A	INITIAL RELEASE	14825	-	-	-	-	THIRD ANGLE	APPROVED BY BRB	DATE 22MAR12		FILE	AUTOCAD	MATERIAL	SCALE	1:4