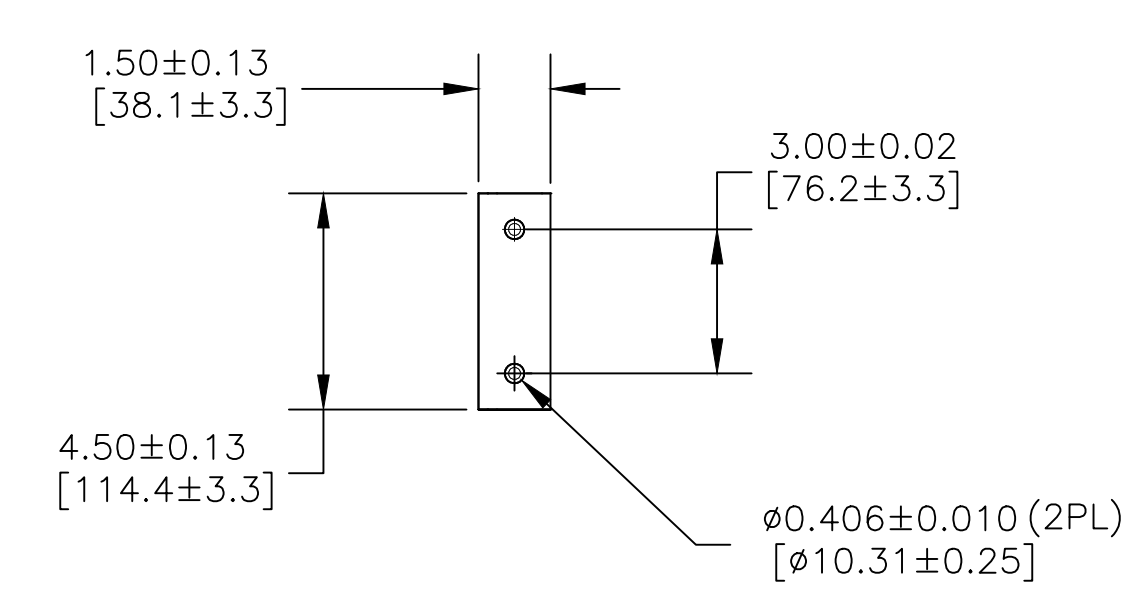
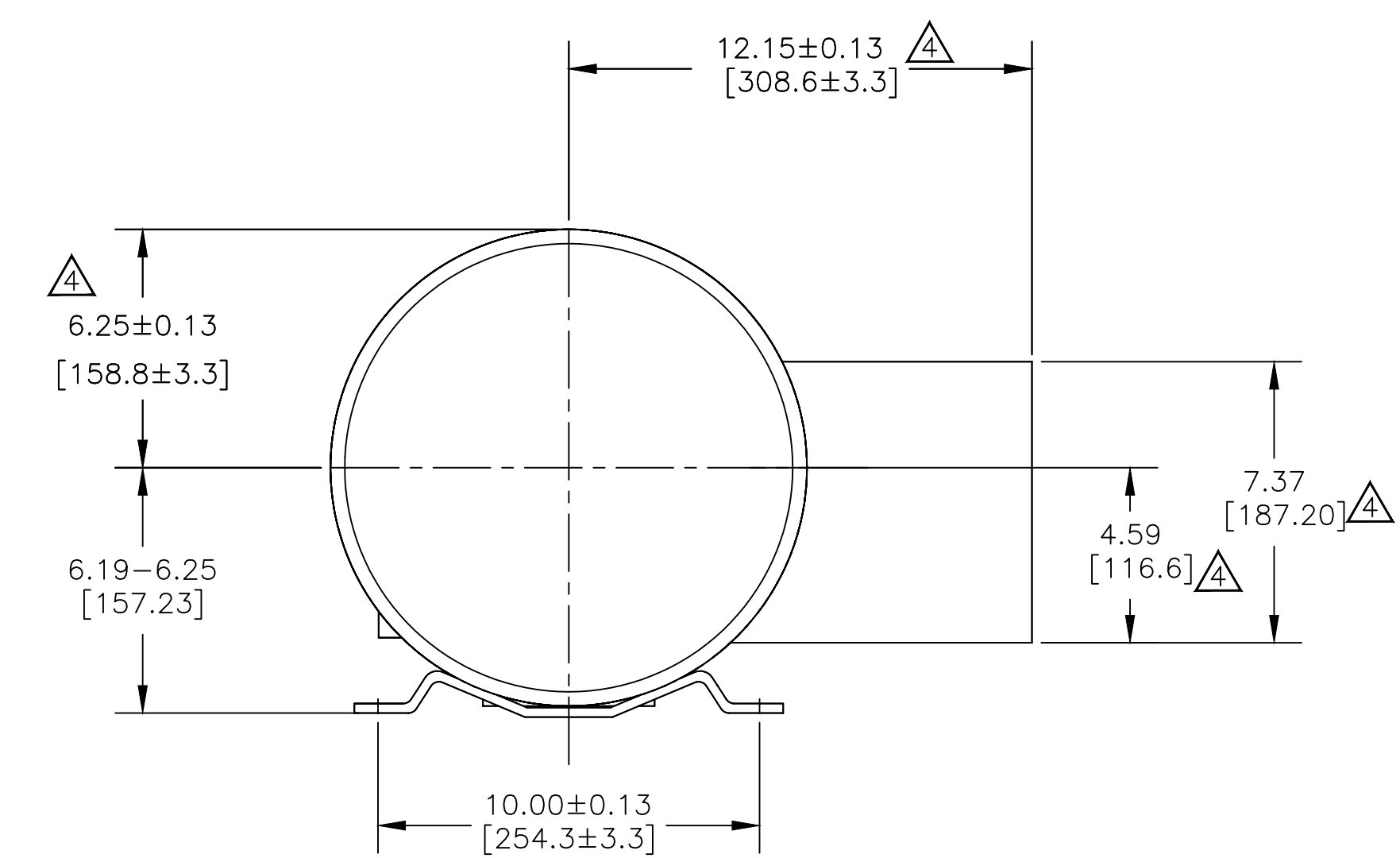
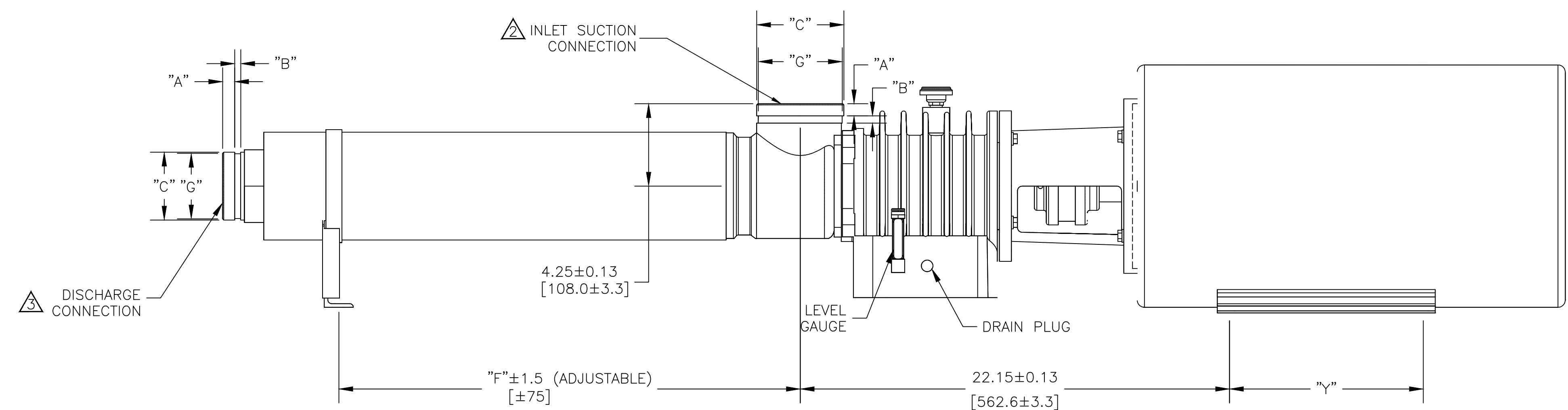
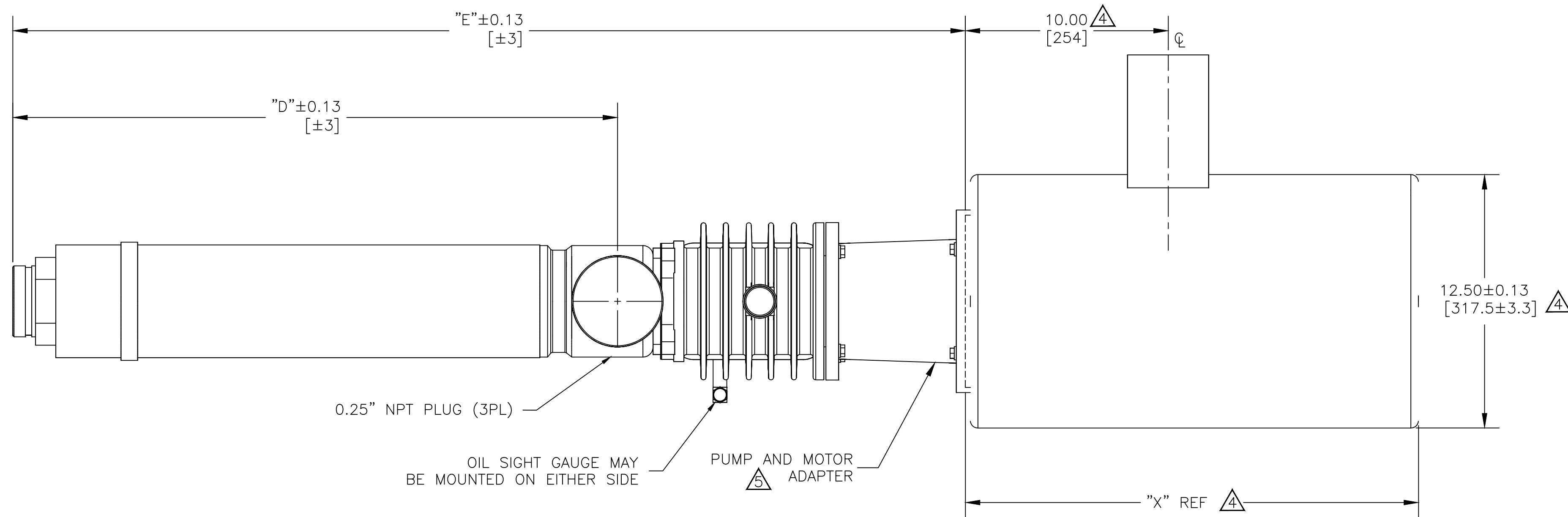


NOTES:

- 1 DIMENSIONS ARE IN INCHES [MILLIMETERS].
- 2 PUMP INLET CONNECTIONS MATE WITH 3-INCH VICTAULIC TYPE CLAMPED UNION
- 3 PUMP INLET MAY BE ROTATED IN 90° INCREMENTS.
- 4 PUMP DISCHARGE CONNECTIONS MATE WITH 3-INCH VICTAULIC TYPE CLAMPED UNION
- 5 TEFC GE 256TC MOTOR SHOWN, MOTOR DIMENSIONS WILL VARY WITH MANUFACTURER AND ARE SHOWN FOR REFERENCE ONLY.
- 6 PUMP AND MOTOR ADAPTER WILL ACCEPT NEMA 256TC FRAME 3565 RPM ELECTRIC MOTOR AND A FLEXIBLE COUPLING WITH THE END OF THE PUMP DRIVE SHAFT. THE 326TSC FRAME MOTORS MUST HAVE A BASE AND BE RIGIDLY MOUNTED. MOUNTING OF BEARING FRAME BASE IN A STRAIN-FREE MANNER IS OPTIONAL WITH 256TC FRAME MOTORS.
- 7 SEE PUMP INSTRUCTIONS P/N 1125317 FOR ADDITIONAL INFORMATION ON INSTALLATION, STARTUP, AND MAINTENANCE.



VICTAULIC® DIMENSIONS STANDARD 3" INLET & DISCHARGE CONNECTIONS		
ITEM	INCHES	MILLIMETERS
"A"	0.625±0.031	15.88±0.78
"B"	0.312±0.031	7.94±0.78
"C"	3.500±0.031	88.90±0.78
"G"	3.344 ^{+0.000} _{-0.018}	84.94 ^{+0.00} _{-0.46}

NEMA FRAME SIZE	"X"		"Y"	
	INCHES	[MM]	INCHES	[MM]
254TC	22.34	567	10.00	254

MODELS		"D"	"E"	"F"
60HZ	50HZ	INCHES	INCHES	INCHES
AS9009KZB	AS9009KZB	29.81	46.95	28.31
AS9013KZB	AS9013KZB	39.34	56.49	33.34

REV	DESCRIPTION	ECO	DWN	APPR	APPR	DATE
D	SUEZ REBRANDING	131562	TG	SR	MS	20 Sep 18
C	SUCTION HEIGHT ADJUSTED	15466	GMK	SS	MG	30JAN13
B	CORRECTED TABLES, REVISED DIMENSIONS IN	15205	GMK	SS	MG	09AUG12
A	INITIAL RELEASE	14825	-	-	-	-

TOLERANCES UNLESS NOTED	
DECIMALS	ANGLES
.X 0.1	2
.XX 0.03	FRAC
.XXX 0.010	



CUSTOMER INFORMATION

DWG,TF,OUTLINE,AS9000KZB,
254TC NEMA MOTOR

DRAWING NUMBER				REVISION	
1310488				D	
REF.:	PROJECT NO.	PART/MATERIAL NO.	SCALE	SIZE	SHEET
-			1:4	D	1 OF 1