

NOTES:

- 1 DIMENSIONS ARE IN INCHES [MILLIMETERS].
- 2 PUMP INLET CONNECTIONS MATE WITH 3-INCH VICTAULIC TYPE CLAMPED UNIONS. PUMP INLET MAY BE ROTATED IN 90° INCREMENTS.
- 3 PUMP DISCHARGE CONNECTIONS MATE WITH 3-INCH VICTAULIC TYPE CLAMPED UNIONS.
- 4 PUMP AND MOTOR ADAPTER WILL ACCEPT NEMA 215TC AND 254TC FRAME 3565 RPM ELECTRIC MOTORS AND A FLEXIBLE COUPLING. FOR 215TC AND 254TC FRAME MOTORS, THE FLANGE IS TO BE FLUSH WITH THE END OF THE PUMP DRIVE SHAFT.
- 5 SEE PUMP INSTRUCTIONS P/N 1123175 FOR ADDITIONAL INFORMATION ON INSTALLATION, STARTUP, AND MAINTENANCE.

| NEMA FRAME SIZE | INCHES | [MM] |
|-----------------|--------|-------|
| 213TC | 8.00 | 203.2 |

| NEMA FRAME SIZE | INCHES | [MM] |
|-----------------|--------|-------|
| 213TC | 9.50 | 241.4 |

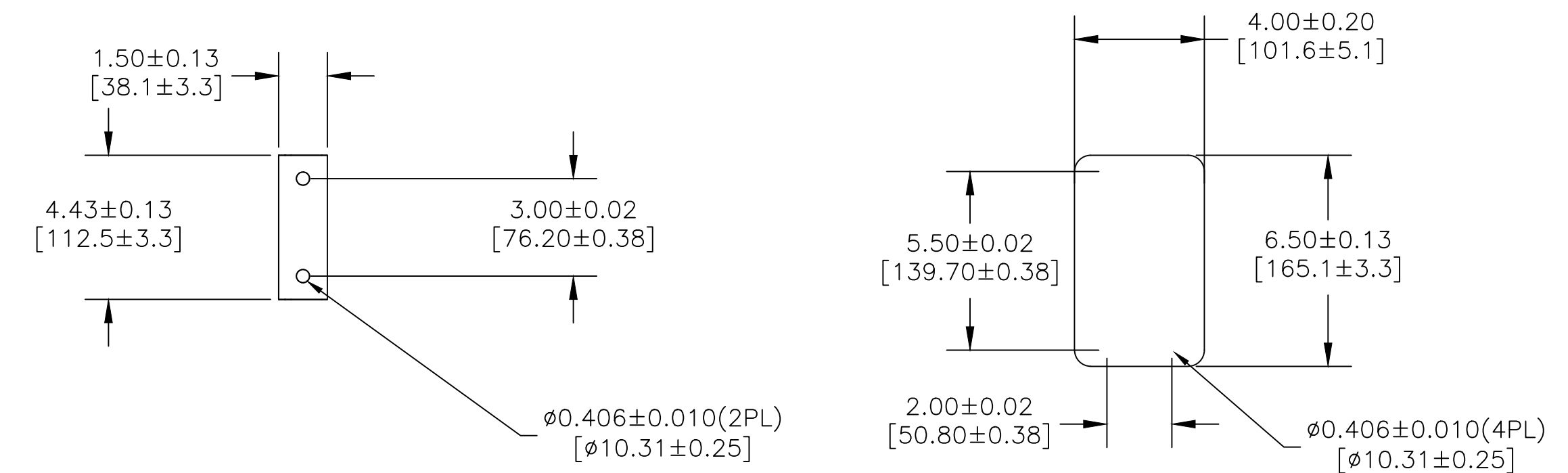
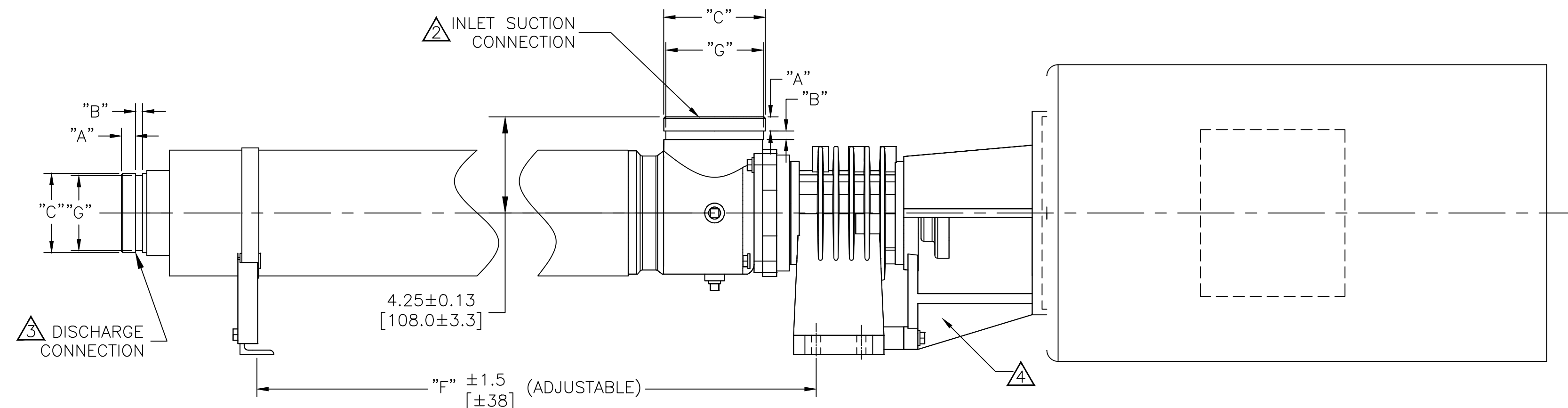
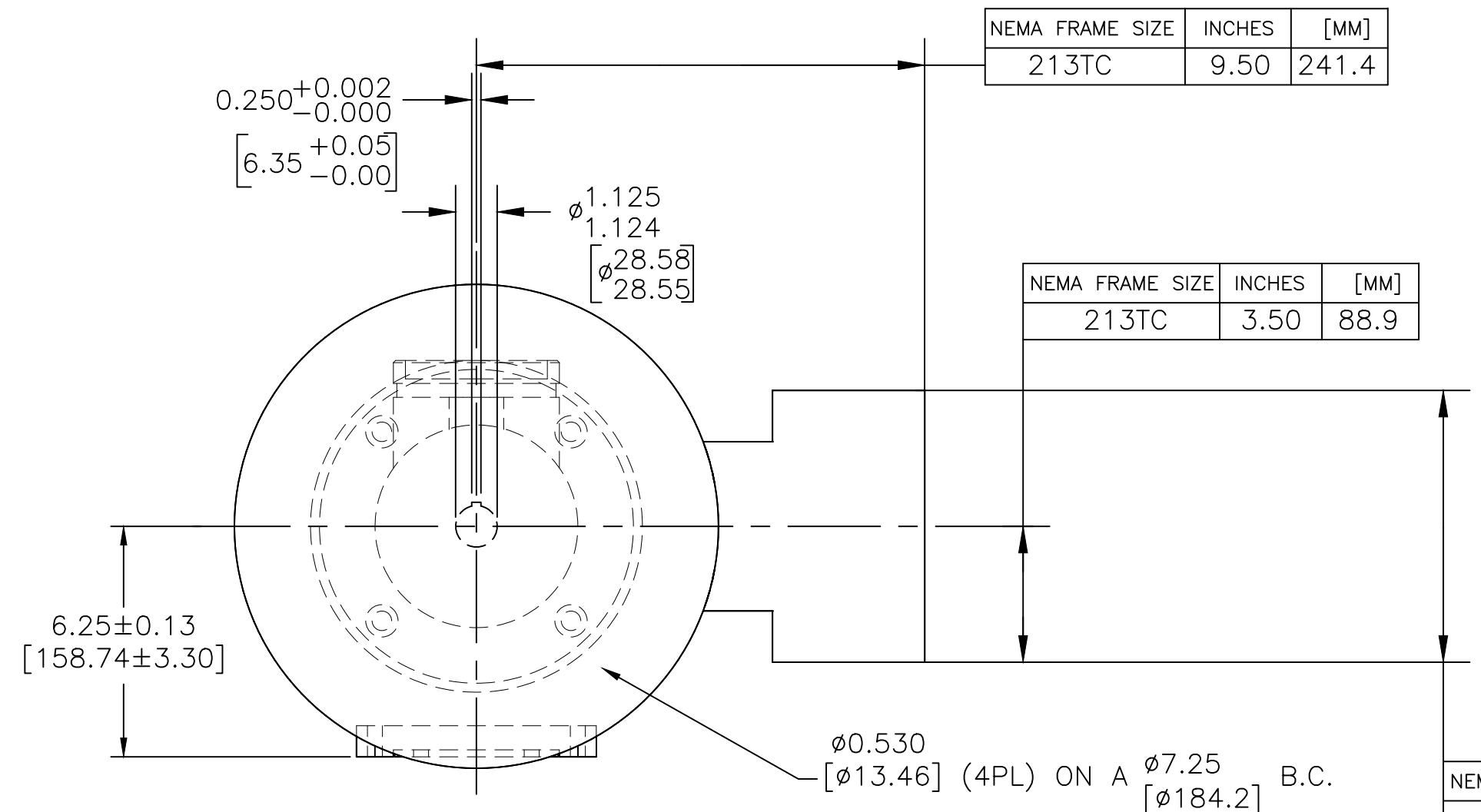
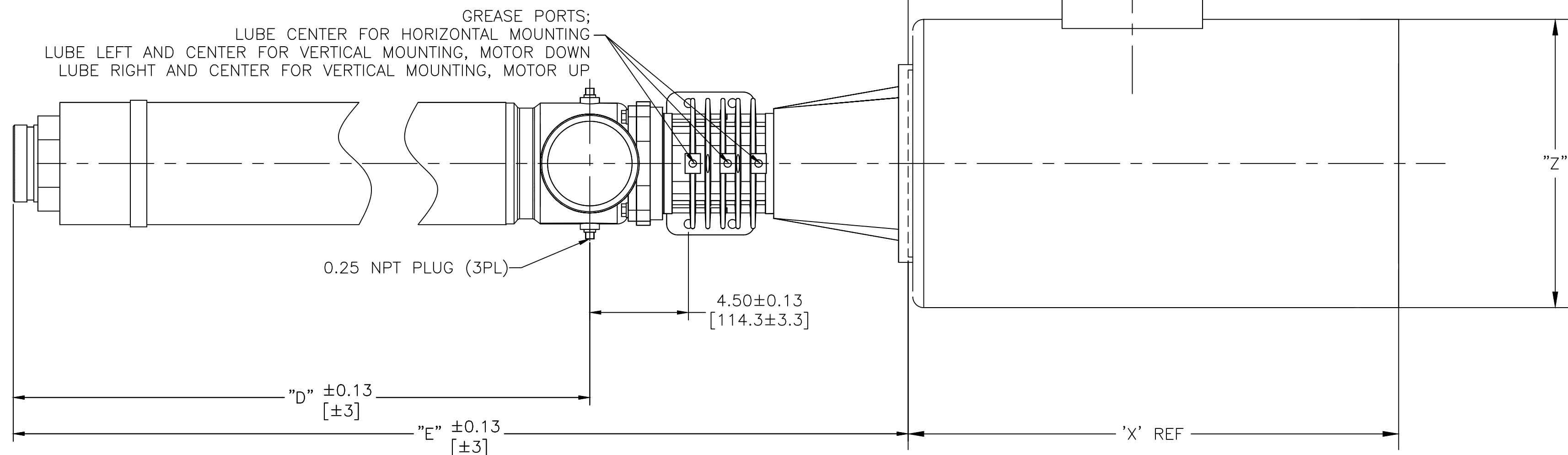
| NEMA FRAME SIZE | INCHES | [MM] |
|-----------------|--------|------|
| 213TC | 3.50 | 88.9 |

| NEMA FRAME SIZE | INCHES | [MM] |
|-----------------|--------|------|
| 213TC | 5.78 | 147 |

| VICTAULIC® DIMENSIONS STANDARD 3" INLET & DISCHARGE CONNECTIONS | | |
|---|---|---|
| ITEM | INCHES | MILLIMETERS |
| "A" | 0.625±0.031 | 15.88±0.78 |
| "B" | 0.312±0.031 | 7.94±0.78 |
| "C" | 3.50±0.031 | 88.90±0.78 |
| "G" | 3.344 ^{+0.000} _{-0.018} | 84.94 ^{+0.00} _{-0.46} |

| MODELS | | "D" | "E" | "F" |
|---------|---------|--------|--------|--------|
| 60HZ | 50HZ | INCHES | INCHES | INCHES |
| AS9006D | AS9006D | 22.65 | 37.15 | 21.15 |

| NEMA FRAME SIZE | "X" | | "Y" | | "Z" | |
|-----------------|--------|-------|--------|------|--------|-------|
| | INCHES | [MM] | INCHES | [MM] | INCHES | [MM] |
| 213TC | 17.77 | 451.4 | FOOT | LESS | 11.00 | 279.4 |



| REV | DESCRIPTION | ECO | DWN | APPR | APPR | DATE |
|-----|--|--------|-----|------|------|-----------|
| D | SUEZ REBRANDING | 131562 | TG | SR | MS | 20 Sep 18 |
| C | SUCTION HEIGHT ADJUSTED | 15466 | GMK | SS | - | 30JAN13 |
| B | CORRECTED TABLES, REVISED DIM IN THE MOD | 15205 | GMK | SS | MG | 09AUG12 |
| A | INITIAL RELEASE | 14825 | - | - | - | - |

| TOLERANCES UNLESS NOTED | |
|-------------------------|--------|
| DECIMALS | ANGLES |
| .X 0.1 | 2 |
| .XX 0.03 | FRAC |
| .XXX 0.010 | |



| CUSTOMER INFORMATION |
|----------------------|
| |

| DWG,TF,OUTLINE, AS9000 "D" SERIES PUMP |
|---|
| |

| DRAWING NUMBER | | REVISION | |
|----------------|-------------------|----------|--------------|
| 1310487 | | D | |
| REF.: | DOC. OWNER: | SCALE | SIZE |
| PROJECT NO. | PART/MATERIAL NO. | 1:4 | D |
| | | | SHEET 1 OF 1 |