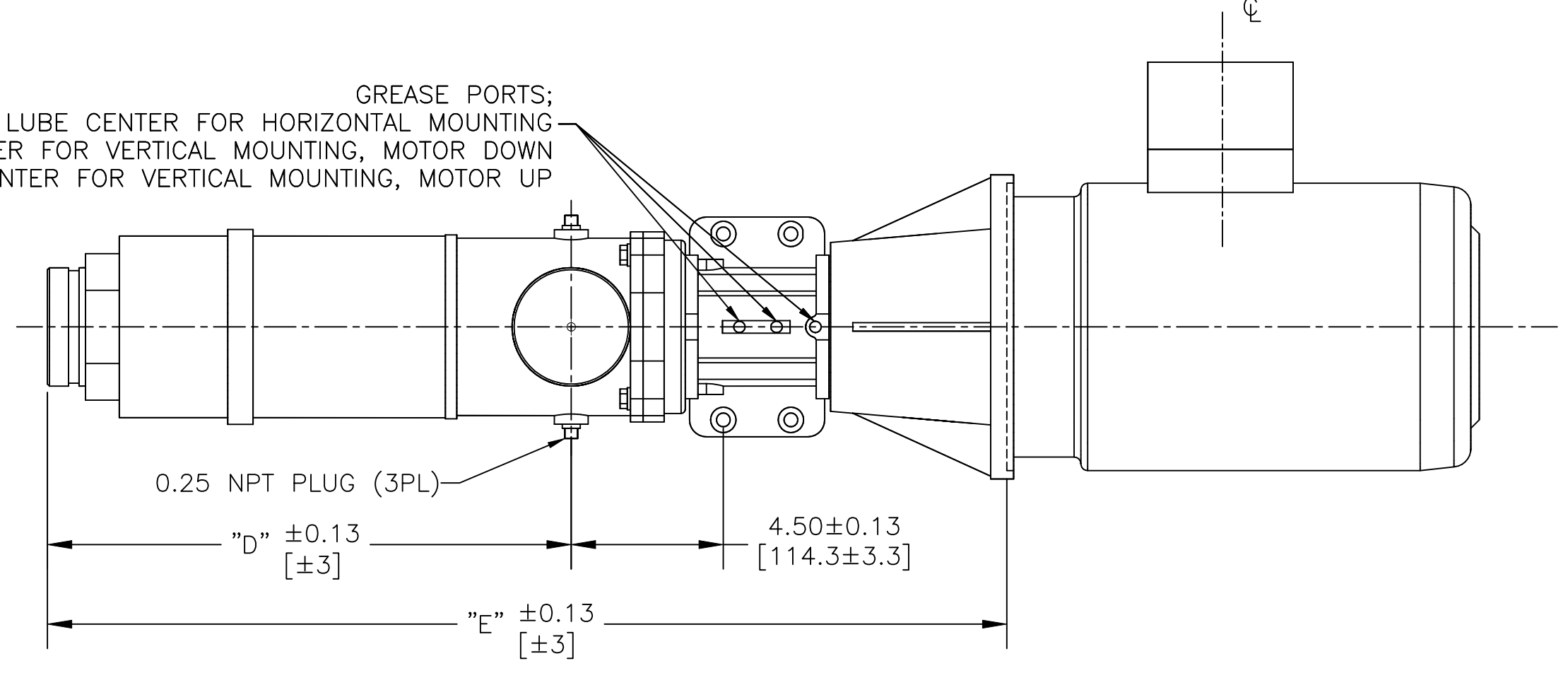


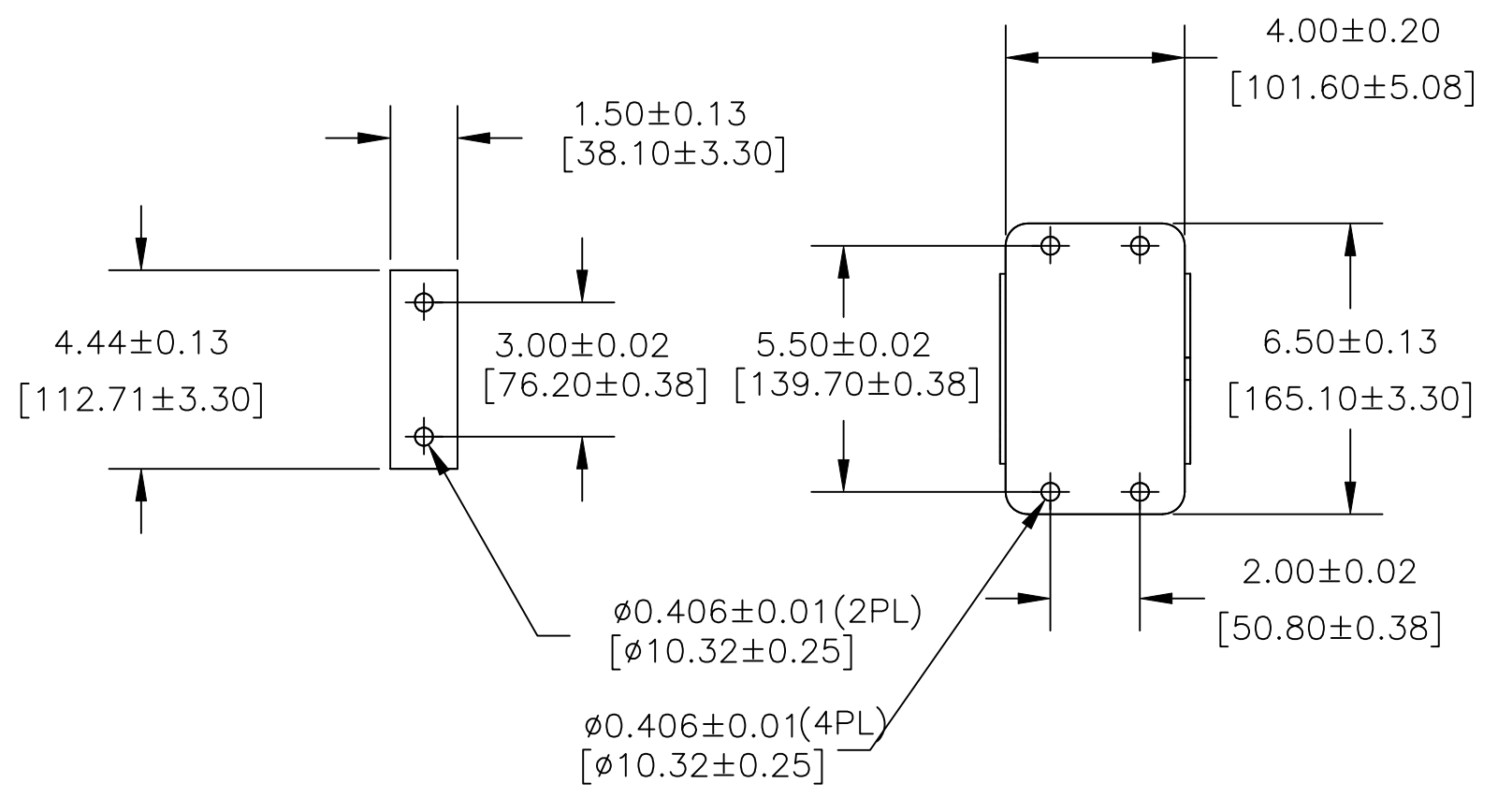
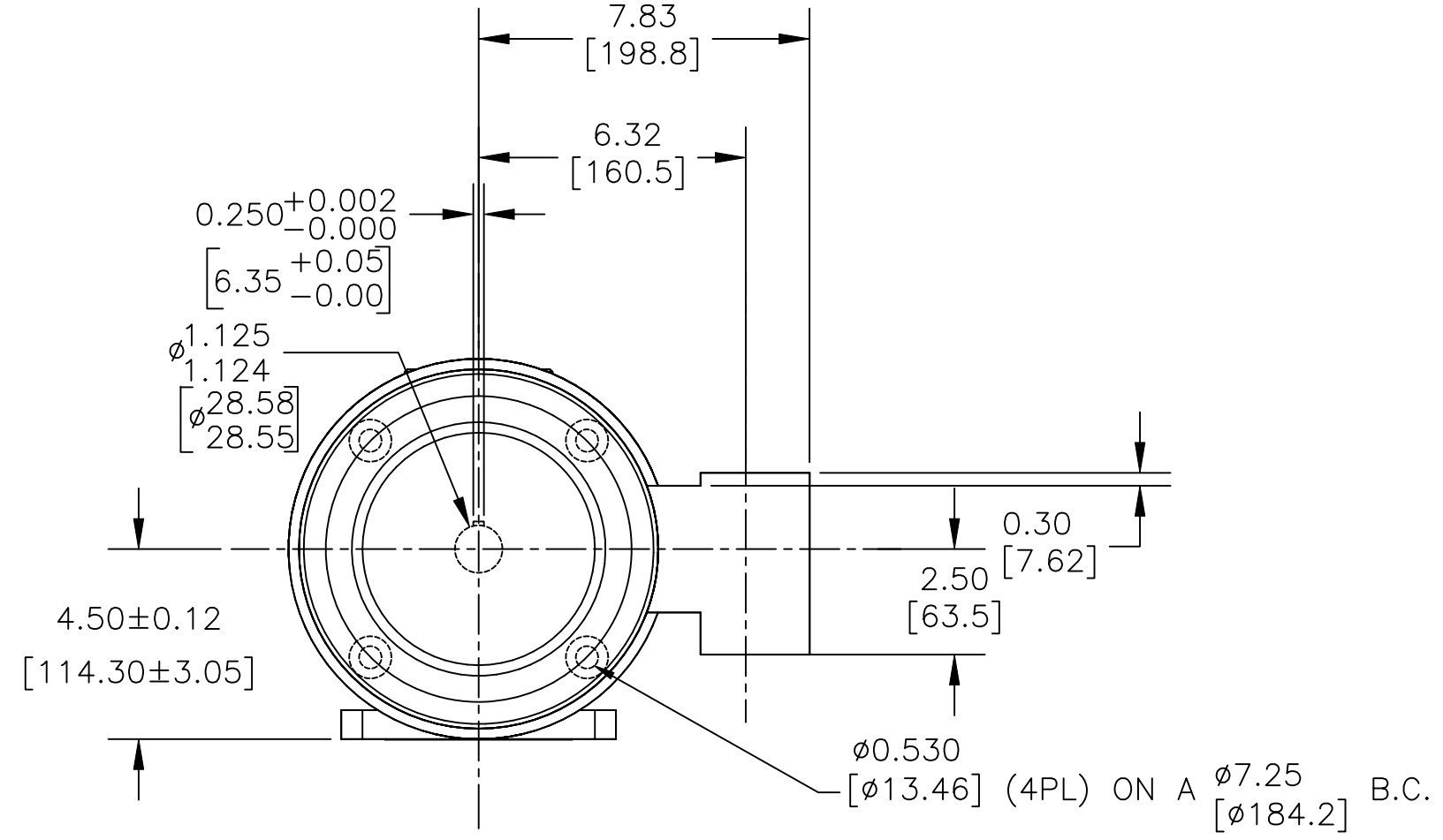
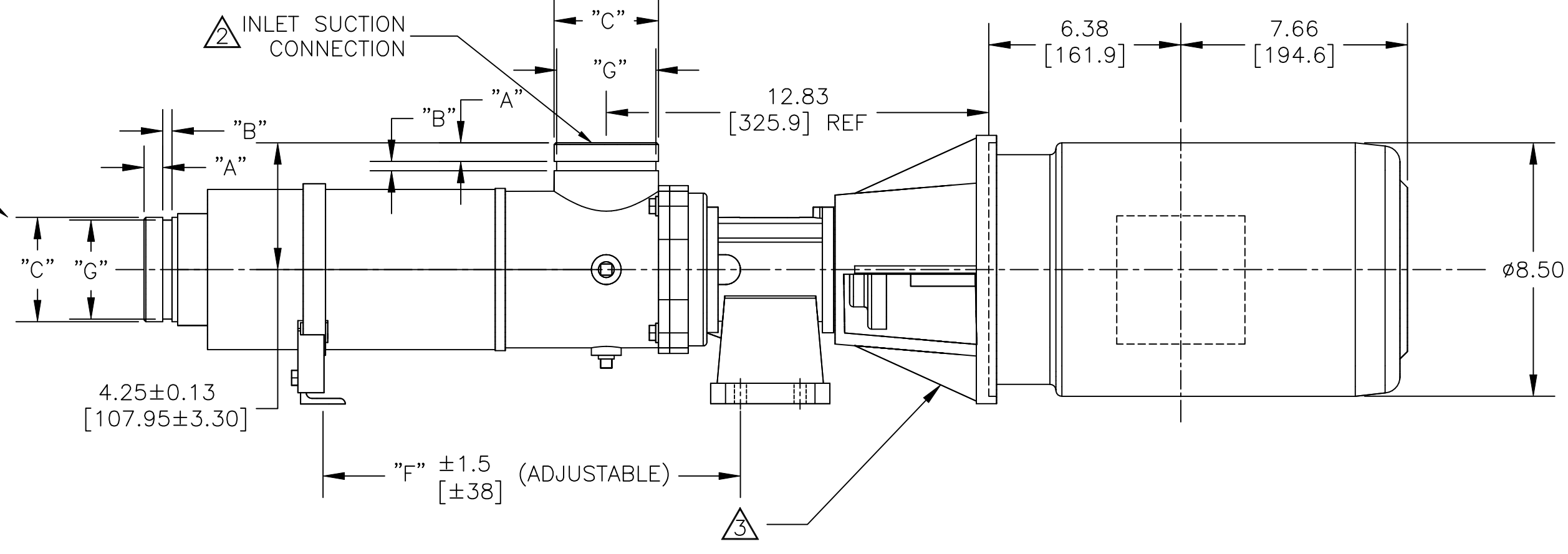
NOTES:

1. DIMENSIONS ARE IN INCHES [MILLIMETERS].
2. PUMP INLET AND DISCHARGE CONNECTIONS MATE WITH 3-INCH VICTAULIC TYPE CLAMPED UNIONS. PUMP INLET MAY BE ROTATED IN 90° INCREMENTS.
3. PUMP AND MOTOR ADAPTER WILL ACCEPT NEMA 182TC, 184TC, 213TC, 215TC AND 254TC FRAME 3450 RPM ELECTRIC MOTORS AND A WOODS FLEXIBLE COUPLING. FOR 182TC AND 184TC FRAME MOTORS THE WOODS FLANGE IS TO EXTEND .187" TO 25" BEYOND END OF PUMP DRIVE SHAFT. FOR 213TC, 215TC AND 254TC FRAME MOTORS, THE WOODS FLANGE IS TO BE FLUSH WITH THE END OF THE PUMP DRIVE SHAFT.
4. SEE PUMP INSTRUCTIONS P/N 1123175 FOR ADDITIONAL INFORMATION ON INSTALLATION, STARTUP, AND MAINTENANCE.

GREASE PORTS;  
LUBE CENTER FOR HORIZONTAL MOUNTING  
LUBE LEFT AND CENTER FOR VERTICAL MOUNTING, MOTOR DOWN  
LUBE RIGHT AND CENTER FOR VERTICAL MOUNTING, MOTOR UP



DISCHARGE CONNECTION



VICTAULIC® DIMENSIONS STANDARD 3" INLET CONNECTIONS		
ITEM	INCHES	MILLIMETERS
"A"	0.625±0.031	15.88±0.78
"B"	0.312±0.031	7.94±0.78
"C"	3.500±0.031	88.90±0.78
"G"	3.344 <sup>+0.000</sup> <sub>-0.018</sub>	84.94 <sup>+0.00</sup> <sub>-0.46</sub>

MODELS		"d"		"E"		"F"	
60HZ	50HZ	INCHES	[MM]	INCHES	[MM]	INCHES	[MM]
AS9003G	AS9003G	15.50	394	28.33	720	14.00	356

REV	DESCRIPTION	ECO	DWN	APVD	DATE	CHKD	TOLERANCES UNLESS NOTED DECIMALS .XX ± 0.01 .XXX ± 0.03 .XXX ± 0.010	DRAWN BY GMK	DATE 28FEB12	<p><b>GE</b> Water &amp; Process Technologies GLOBAL HEADQUARTERS : TREVISO, PA USA +1-215-355-3300 WWW.GEWATER.COM</p> <p>THIS DRAWING, THE DESIGN AND THE PATENTS IT COVERS, IS THE PROPERTY OF GENERAL ELECTRIC COMPANY AND ITS AFFILIATES AND THE INFORMATION CONTAINED HEREIN IS PROPRIETARY INFORMATION WHICH IS NOT TO BE DISCLOSED TO ANYONE WITHOUT PRIOR WRITTEN CONSENT OF SAID COMPANY. THIS DRAWING IS TO BE USED EXCLUSIVELY FOR THE PURPOSES EXPRESSLY AUTHORIZED BY GENERAL ELECTRIC COMPANY AND ITS AFFILIATES THROUGH ITS OFFICERS AND QUALIFIED REPRESENTATIVES AND FOR NO OTHER PURPOSE. NEITHER THIS DRAWING NOR ANY PORTION THEREOF, SHALL BE REPRODUCED WITHOUT THE PRIOR WRITTEN CONSENT OF SAID COMPANY, AND ANY SUCH REPRODUCTION SHALL BEAR THIS NOTICE.</p>	CLIENT/JOB	TITLE	SIZE	DRAWING NO.	REV	
B	REVISED DIMENSIONS IN THE MODELS TABLE	15205	GMK	GM	09AUG12	SS	DIMENSIONS IN INCHES DO NOT SCALE	CHECKED BY MG	DATE 22MAR12		AS9000 "G" SERIES PUMP	D	1310486	B		
A	INITIAL RELEASE	14825	-	-	-	-	THIRD ANGLE	APPROVED BY BRB	DATE 22MAR12		FILE	AUTOCAD	MATERIAL	SCALE	1:4	SHEET