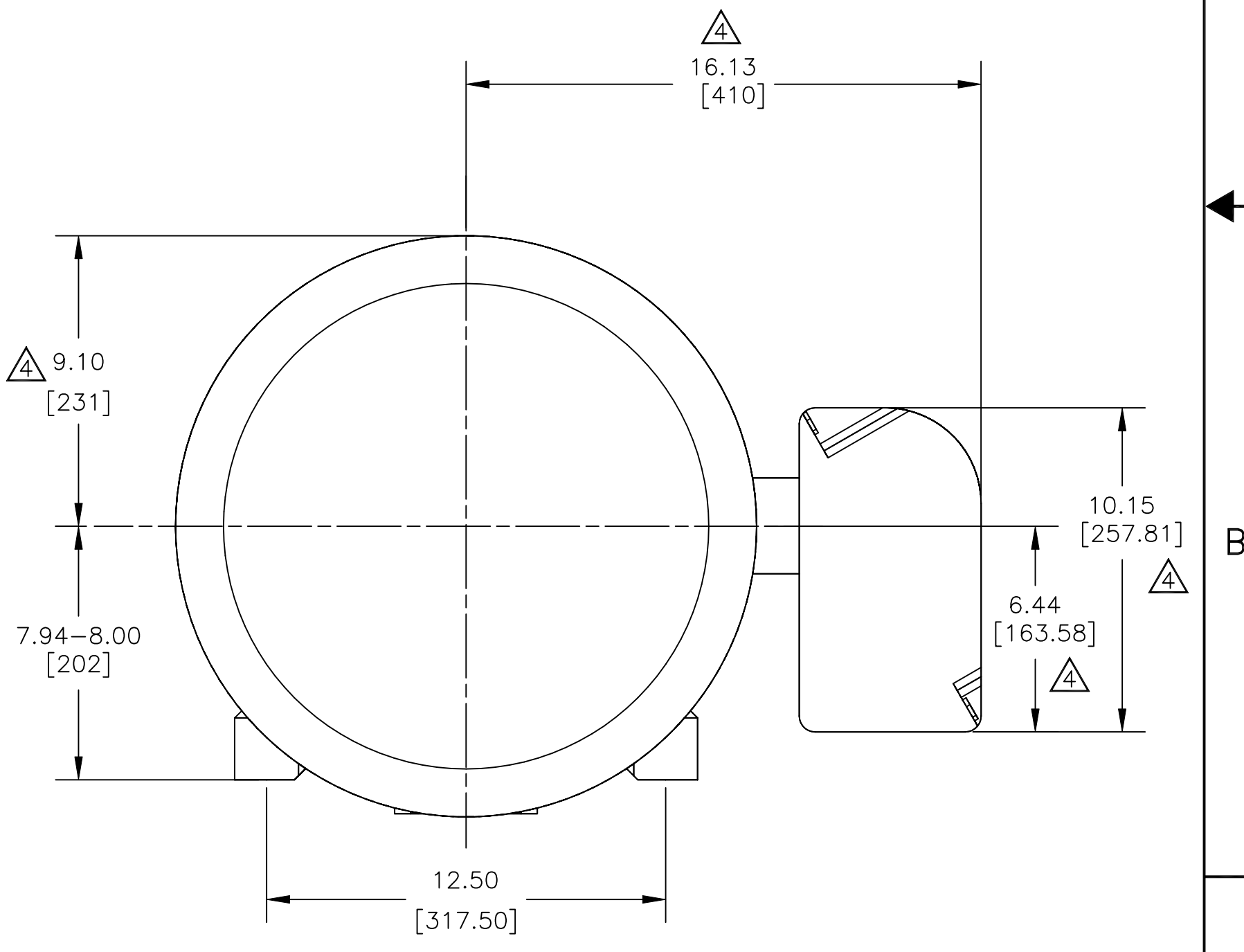
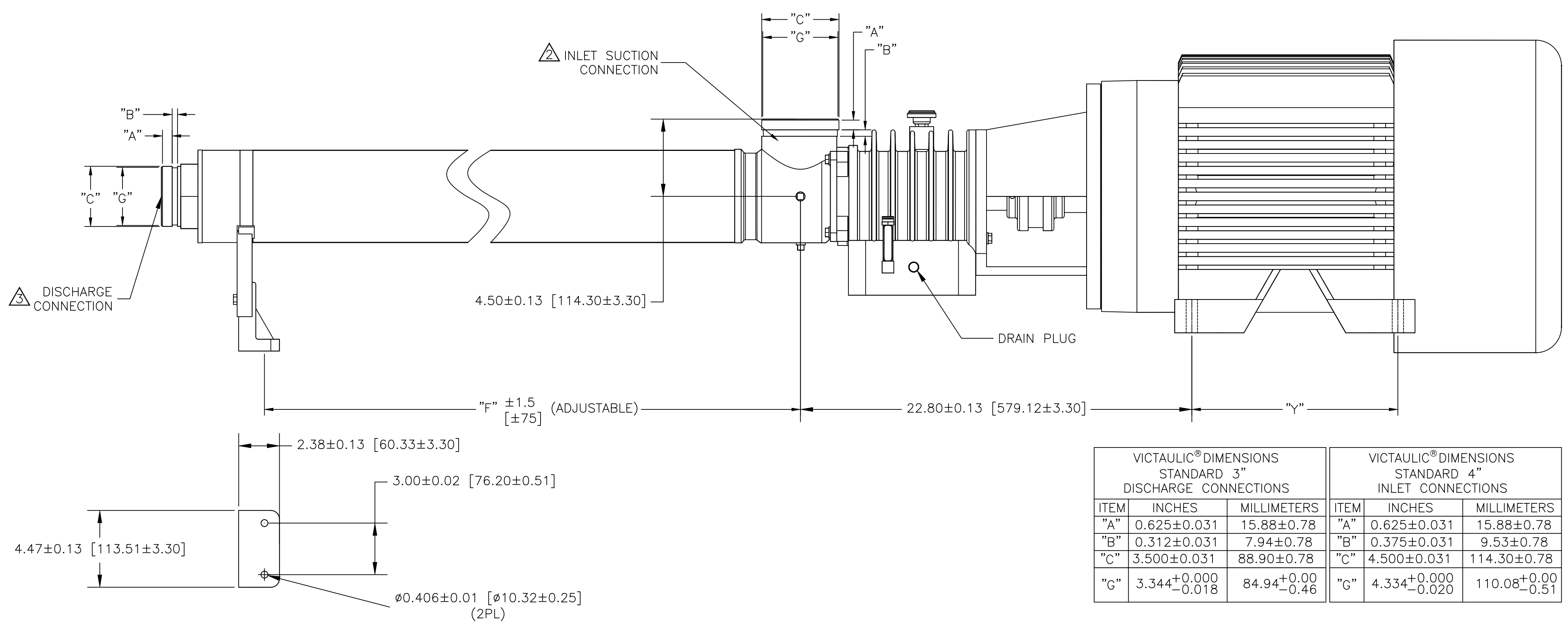
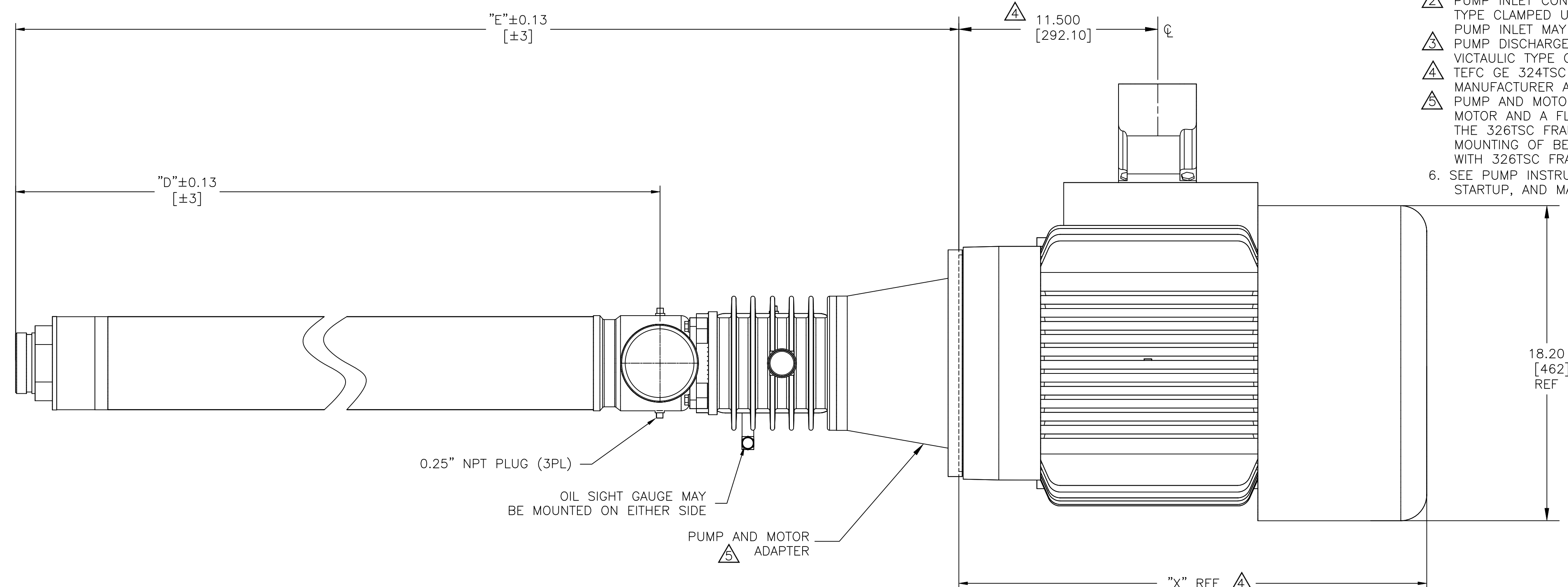


NOTES:

- 1 DIMENSIONS ARE IN INCHES [MILLIMETERS].
- 2 PUMP INLET CONNECTIONS MATE WITH 4-INCH VICTAULIC TYPE CLAMPED UNIONS
- 3 PUMP INLET MAY BE ROTATED IN 90° INCREMENTS.
- 4 PUMP DISCHARGE CONNECTIONS MATE WITH 3-INCH VICTAULIC TYPE CLAMPED UNION
- 5 TEFC GE 324TSC MOTOR SHOWN, MOTOR DIMENSIONS WILL VARY WITH MANUFACTURER AND ARE SHOWN FOR REFERENCE ONLY.
- 6 PUMP AND MOTOR ADAPTER WILL ACCEPT NEMA 326TSC FRAMES 3565 RPM ELECTRIC MOTOR AND A FLEXIBLE COUPLING WITH THE END OF THE PUMP DRIVE SHAFT. THE 326TSC FRAME MOTORS MUST HAVE A BASE AND BE RIGIDLY MOUNTED. MOUNTING OF BEARING FRAME BASE IN A STRAIN-FREE MANNER IS OPTIONAL WITH 326TSC FRAME MOTORS.
- 7 SEE PUMP INSTRUCTIONS P/N 1125317 FOR ADDITIONAL INFORMATION ON INSTALLATION, STARTUP, AND MAINTENANCE.



VICTAULIC® DIMENSIONS STANDARD 3" DISCHARGE CONNECTIONS			VICTAULIC® DIMENSIONS STANDARD 4" INLET CONNECTIONS		
ITEM	INCHES	MILLIMETERS	ITEM	INCHES	MILLIMETERS
"A"	0.625±0.031	15.88±0.78	"A"	0.625±0.031	15.88±0.78
"B"	0.312±0.031	7.94±0.78	"B"	0.375±0.031	9.53±0.78
"C"	3.500±0.031	88.90±0.78	"C"	4.500±0.031	114.30±0.78
"G"	3.344 ^{+0.000} _{-0.018}	84.94 ^{+0.00} _{-0.46}	"G"	4.334 ^{+0.000} _{-0.020}	110.08 ^{+0.00} _{-0.51}

NEMA FRAME SIZE	"X"		"Y"	
	INCHES	[MM]	INCHES	[MM]
326TSC	27.04	687	12.00	304

MODELS		"d"	"E"	"F"
60HZ	50HZ	INCHES	INCHES	INCHES
AS22512KZE	AS22512KZE	61.88	79.18	55.88

REV	DESCRIPTION	ECO	DWN	APVD	DATE	CHKD	TOLERANCES UNLESS NOTED	DRAWN BY	DATE	CLIENT/JOB	TITLE	SIZE	DRAWING NO.	REV
							DECIMALS X ± .1 XX ± .03 .XXX ± .010	SDS MG	21FEB12	GE Water & Process Technologies GLOBAL HEADQUARTERS : TREVISO, PA USA +1-215-355-3300 WWW.GEWATER.COM	DWG,TF,OUTLINE,AS22500KZE, 326,TSC NEMA MOTOR	D	1310320	A
							ANGLES ± 2 FRAC ±	CHECKED BY	21FEB12					
							DIMENSIONS IN INCHES DO NOT SCALE	APPROVED BY	21FEB12					
A	INITIAL RELEASE	14785	-	-	-	-	THIRD ANGLE	APPROVED BY	-	FILE	AUTOCAD	MATERIAL	SCALE	1:4 SHEET 1 OF 1