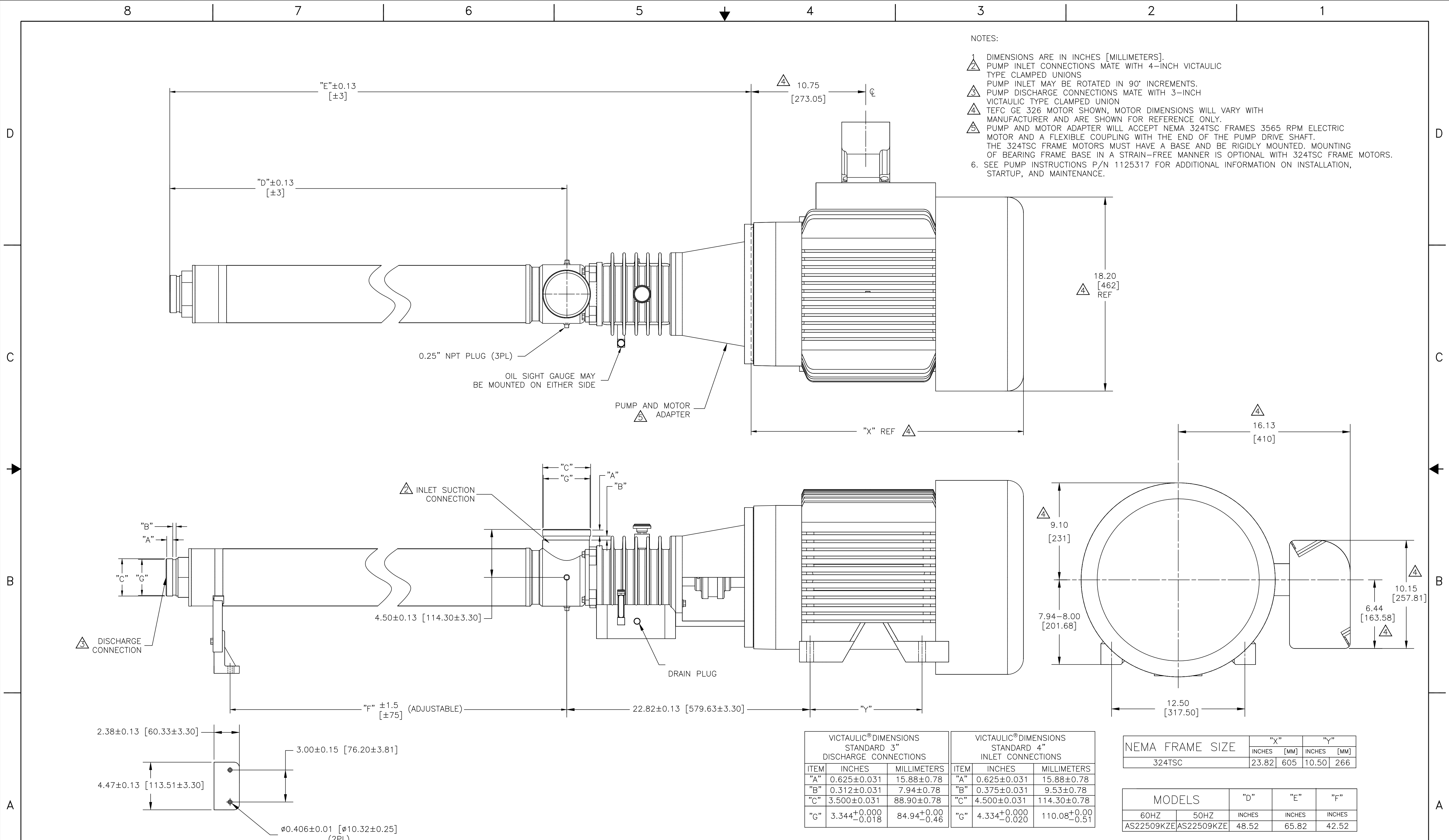


NOTES:

- 1 DIMENSIONS ARE IN INCHES [MILLIMETERS].
- 2 PUMP INLET CONNECTIONS MATE WITH 4-INCH VICTAULIC TYPE CLAMPED UNIONS
- 3 PUMP INLET MAY BE ROTATED IN 90° INCREMENTS.
- 4 PUMP DISCHARGE CONNECTIONS MATE WITH 3-INCH VICTAULIC TYPE CLAMPED UNION
- 5 TEFC GE 326 MOTOR SHOWN, MOTOR DIMENSIONS WILL VARY WITH MANUFACTURER AND ARE SHOWN FOR REFERENCE ONLY.
- 6 PUMP AND MOTOR ADAPTER WILL ACCEPT NEMA 324TSC FRAMES 3565 RPM ELECTRIC MOTOR AND A FLEXIBLE COUPLING WITH THE END OF THE PUMP DRIVE SHAFT. THE 324TSC FRAME MOTORS MUST HAVE A BASE AND BE RIGIDLY MOUNTED. MOUNTING OF BEARING FRAME BASE IN A STRAIN-FREE MANNER IS OPTIONAL WITH 324TSC FRAME MOTORS.
- 7 SEE PUMP INSTRUCTIONS P/N 1125317 FOR ADDITIONAL INFORMATION ON INSTALLATION, STARTUP, AND MAINTENANCE.



VICTAULIC® DIMENSIONS STANDARD 3" DISCHARGE CONNECTIONS			VICTAULIC® DIMENSIONS STANDARD 4" INLET CONNECTIONS		
ITEM	INCHES	MILLIMETERS	ITEM	INCHES	MILLIMETERS
"A"	0.625±0.031	15.88±0.78	"A"	0.625±0.031	15.88±0.78
"B"	0.312±0.031	7.94±0.78	"B"	0.375±0.031	9.53±0.78
"C"	3.500±0.031	88.90±0.78	"C"	4.500±0.031	114.30±0.78
"G"	3.344 ^{+0.000} _{-0.018}	84.94 ^{+0.00} _{-0.46}	"G"	4.334 ^{+0.000} _{-0.020}	110.08 ^{+0.00} _{-0.51}

NEMA FRAME SIZE	"X"		"Y"	
	INCHES	[MM]	INCHES	[MM]
324TSC	23.82	605	10.50	266

MODELS		"D"	"E"	"F"
60HZ	50HZ	INCHES	INCHES	INCHES
AS22509KZE	AS22509KZE	48.52	65.82	42.52

REV	DESCRIPTION	ECO	DWN	APVD	DATE	CHKD	TOLERANCES UNLESS NOTED DECIMALS X ± .1 .XX ± .03 .XXX ± .010	ANGLES ± 2 FRAC ±	DIMENSIONS IN INCHES DO NOT SCALE	THIRD ANGLE	DRAWN BY AM	DATE 21FEB12	GE Water & Process Technologies <small>GLOBAL HEADQUARTERS : TREVISO, PA USA +1-215-355-3300 WWW.GEWATER.COM</small>	CLIENT/JOB	TITLE DWG,TF,OUTLINE,AS22500KZE, 324TSC NEMA MOTOR	SIZE D	DRAWING NO. 1310319	REV A	
A	INITIAL RELEASE	14785	-	-	-	-									FILE AUTOCAD	MATERIAL	SCALE 1:4	SHEET 1 OF 1	