

8 7 6 5 4 3 2 1

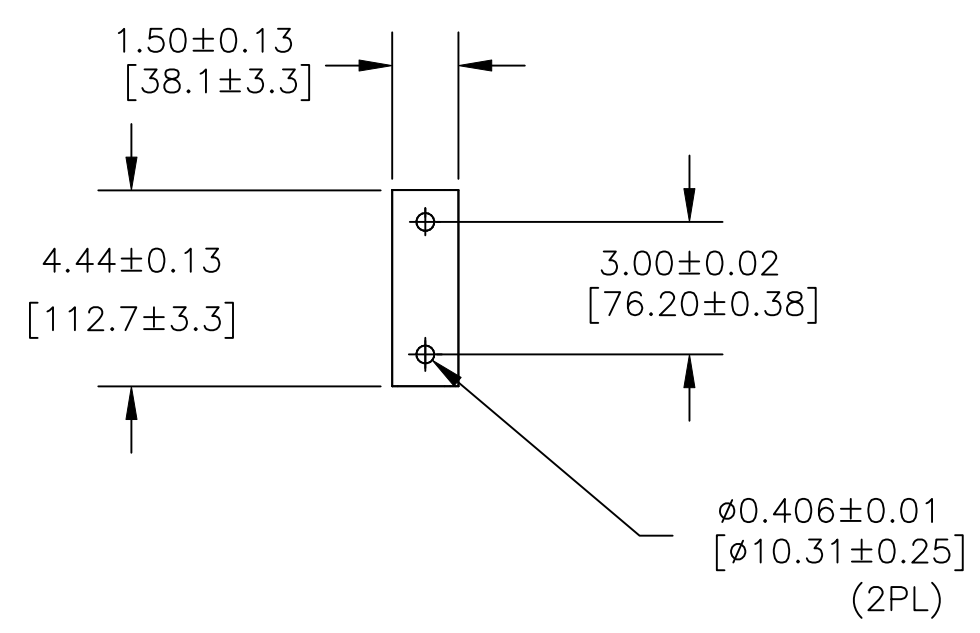
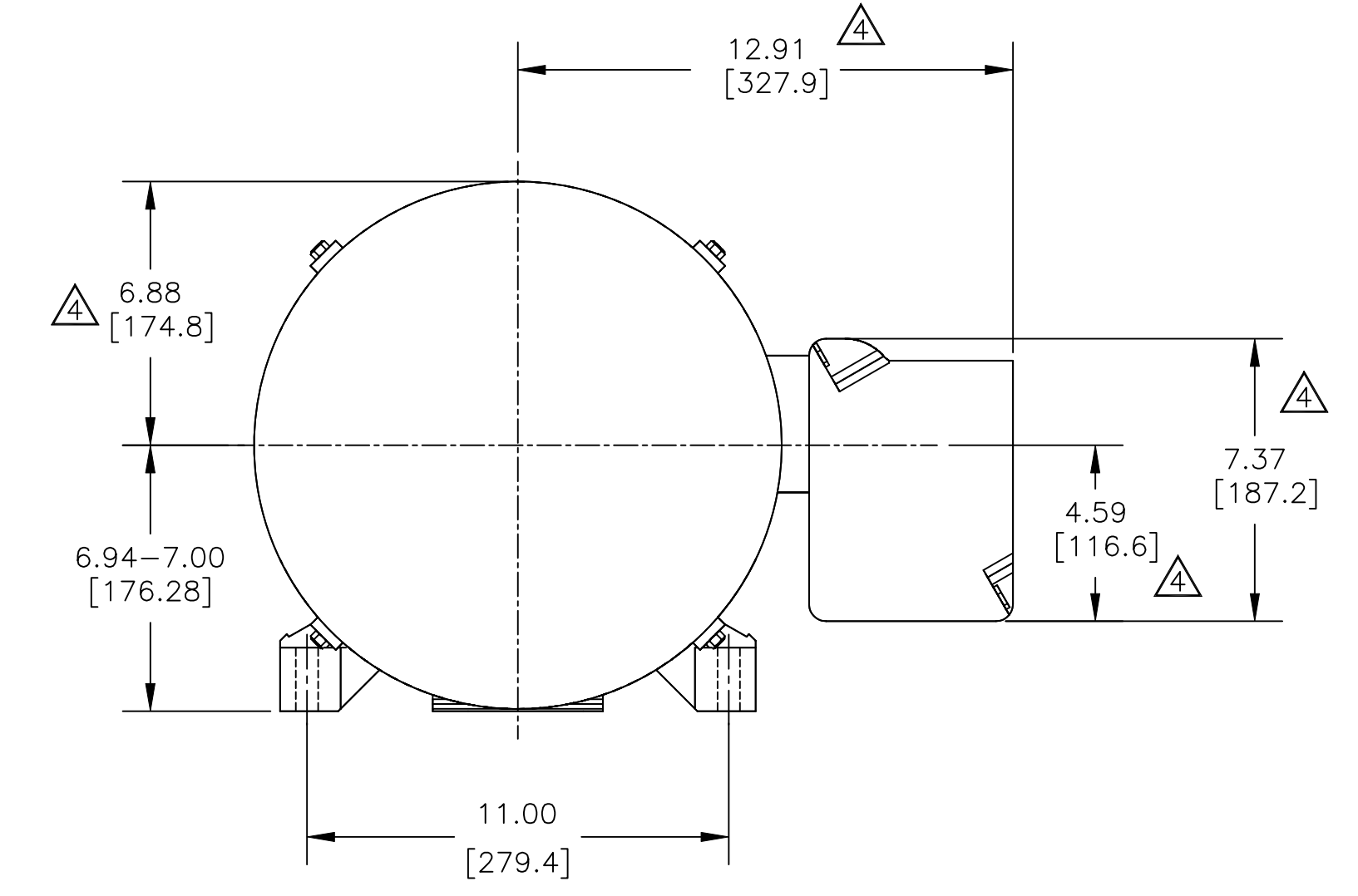
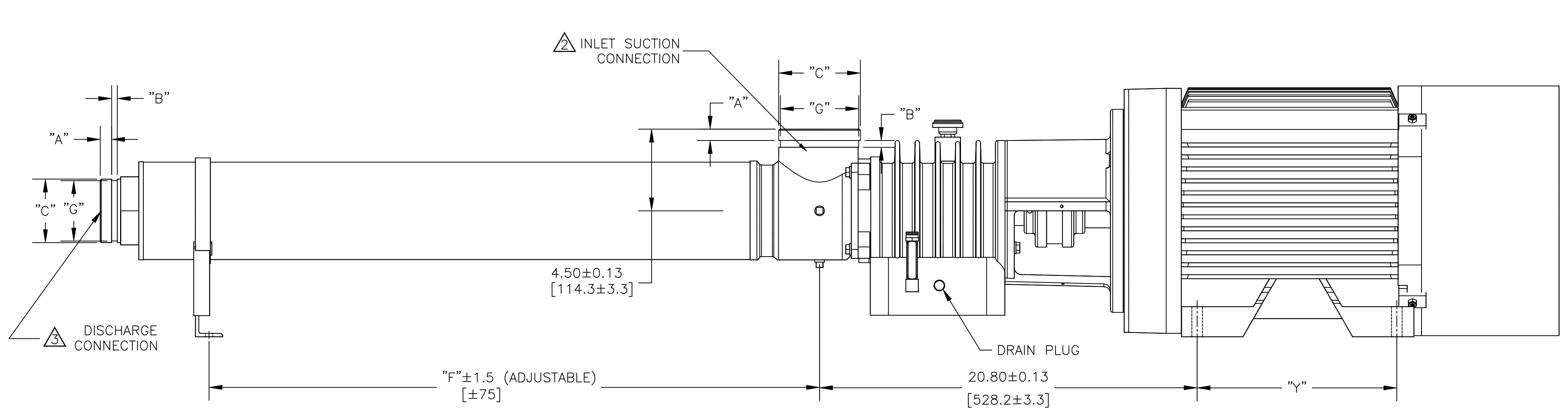
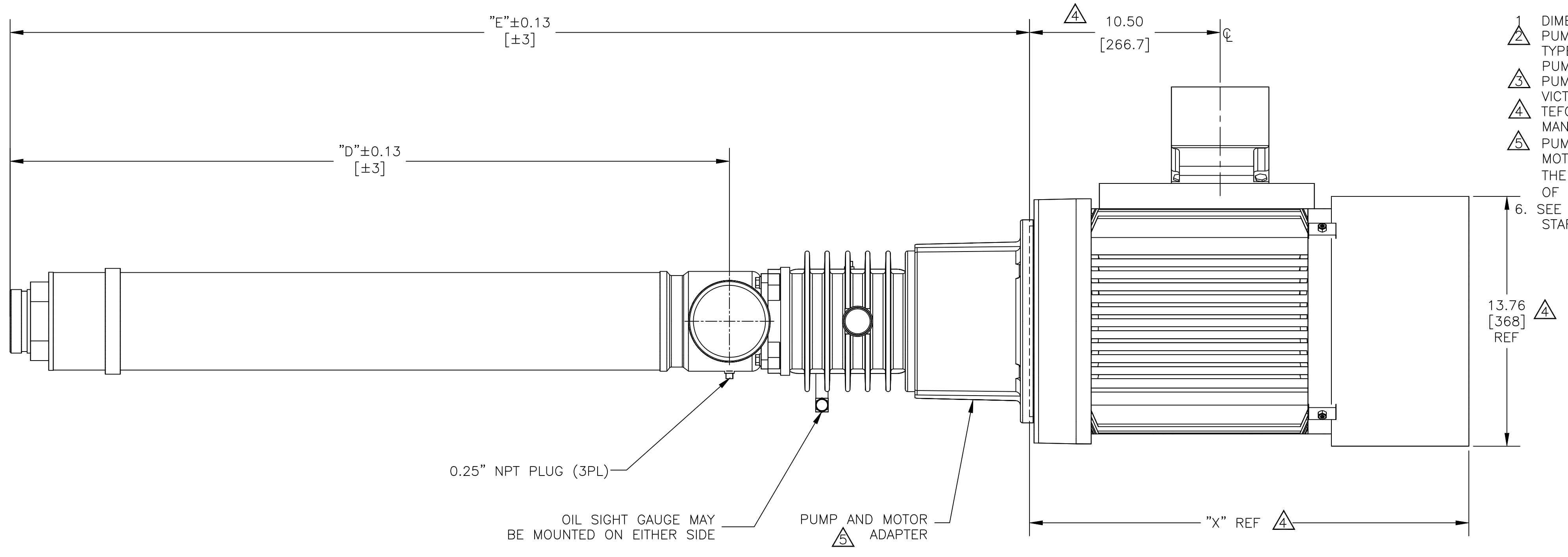
D

C

B

A

- NOTES:
- 1 DIMENSIONS ARE IN INCHES [MILLIMETERS].
 - 2 PUMP INLET CONNECTIONS MATE WITH 4-INCH VICTAULIC TYPE CLAMPED UNION.
 - 3 PUMP INLET MAY BE ROTATED IN 90° INCREMENTS.
 - 4 PUMP DISCHARGE CONNECTIONS MATE WITH 3-INCH VICTAULIC TYPE CLAMPED UNION.
 - 5 TEFC GE 284TSC MOTOR SHOWN, MOTOR DIMENSIONS WILL VARY WITH MANUFACTURER AND ARE SHOWN FOR REFERENCE ONLY.
 - 6 PUMP AND MOTOR ADAPTER WILL ACCEPT NEMA 284/286TSC FRAMES 3565 RPM ELECTRIC MOTOR AND A FLEXIBLE COUPLING WITH THE END OF THE PUMP DRIVE SHAFT.
 - 7 THE 284/286TSC FRAME MOTORS MUST HAVE A BASE AND BE RIGIDLY MOUNTED. MOUNTING OF BEARING FRAME BASE IN A STRAIN-FREE MANNER IS OPTIONAL WITH 284/286TSC FRAME MOTORS.
 - 8 SEE PUMP INSTRUCTIONS P/N 1125317 FOR ADDITIONAL INFORMATION ON INSTALLATION, STARTUP, AND MAINTENANCE.



VICTAULIC® DIMENSIONS STANDARD 3" DISCHARGE CONNECTIONS			VICTAULIC® DIMENSIONS STANDARD 4" INLET CONNECTIONS		
ITEM	INCHES	MILLIMETERS	ITEM	INCHES	MILLIMETERS
"A"	0.625 ± 0.031	15.88 ± 0.78	"A"	0.625 ± 0.031	15.88 ± 0.78
"B"	0.312 ± 0.031	7.94 ± 0.78	"B"	0.375 ± 0.031	9.53 ± 0.78
"C"	3.500 ± 0.031	88.90 ± 0.78	"C"	4.500 ± 0.031	114.30 ± 0.78
"G"	3.344 ^{+0.000} _{-0.018}	84.94 ^{+0.00} _{-0.46}	"G"	4.334 ^{+0.000} _{-0.020}	110.08 ^{+0.00} _{-0.51}

NEMA FRAME SIZE	"X"		"Y"	
	INCHES	MM	INCHES	MM
284TSC	24.20	560	9.50	241
286TSC	24.20	598	11.00	279

MODELS		"D"	"E"	"F"
60HZ	50HZ	INCHES	INCHES	INCHES
AS22507KZC	AS22507KZC	39.62	56.15	33.62

REV	DESCRIPTION	ECO	DWN	APVD	DATE	CHKD	TOLERANCES UNLESS NOTED DECIMALS .X ± .1 .XX ± .03 .XXX ± .010	ANGLES ± 2 FRAC ±	DIMENSIONS IN INCHES DO NOT SCALE	THIRD ANGLE	DRAWN BY AM	DATE 21FEB12	GE Water & Process Technologies GLOBAL HEADQUARTERS : TREVISO, PA USA +1-215-355-3300 WWW.GEWATER.COM	CLIENT/JOB	TITLE DWG,TF,OUTLINE,AS22500KZC, 284/286TSC NEMA MOTOR	SIZE D	DRAWING NO. 1310318	REV A
											CHECKED BY MG	DATE 21FEB12						
											APPROVED BY BRB	DATE 21FEB12						
A	INITIAL RELEASE	14785	-	-	-	-					APPROVED BY	DATE		FILE AUTOCAD	MATERIAL	SCALE 1:4	SHEET 1 OF 1	

8 7 6 5 4 3 2 1