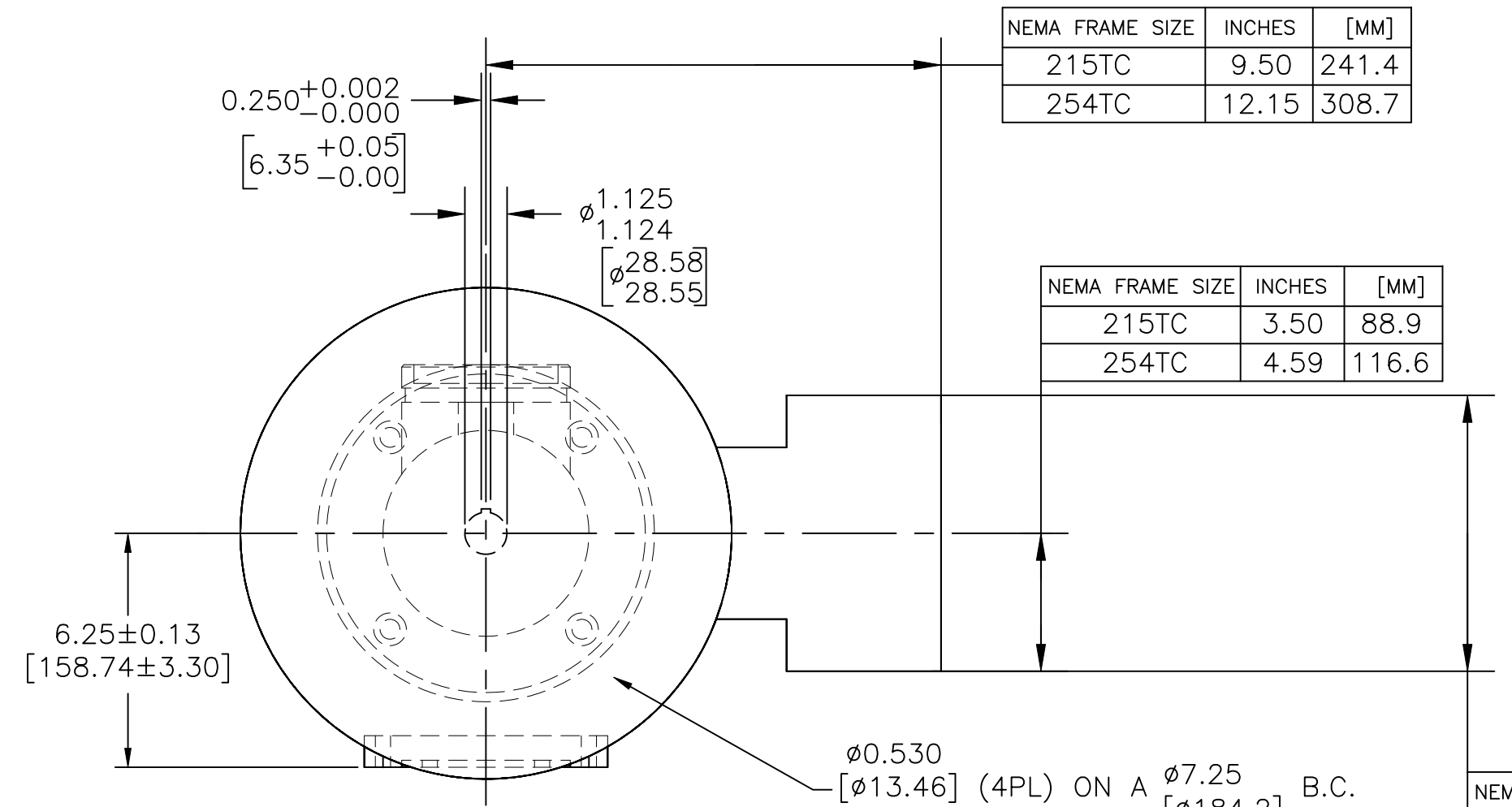
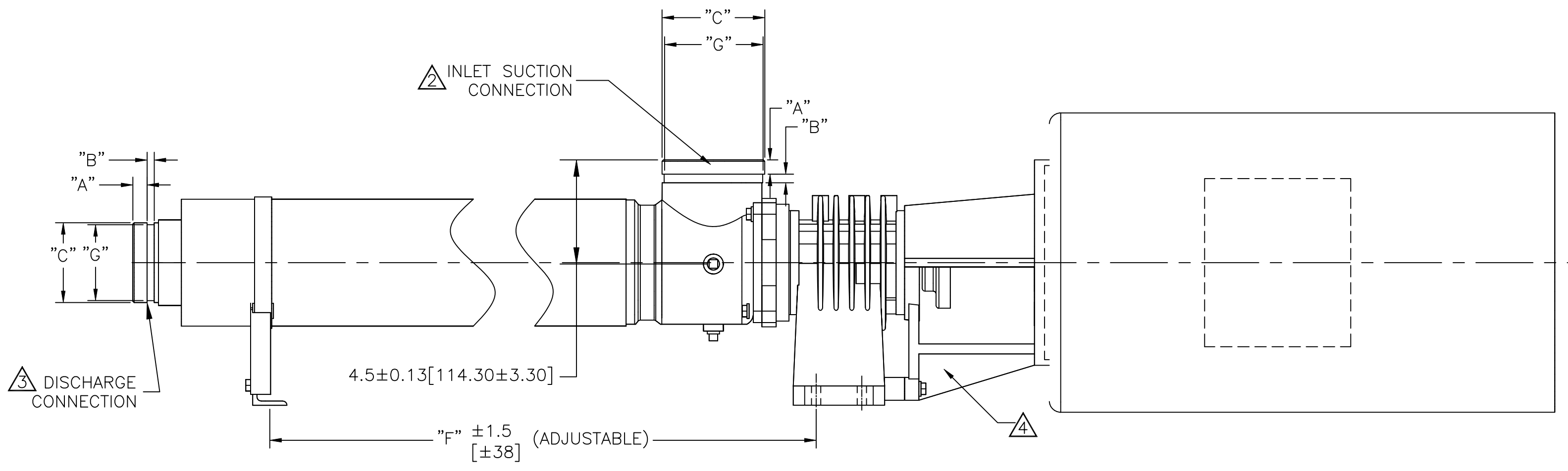
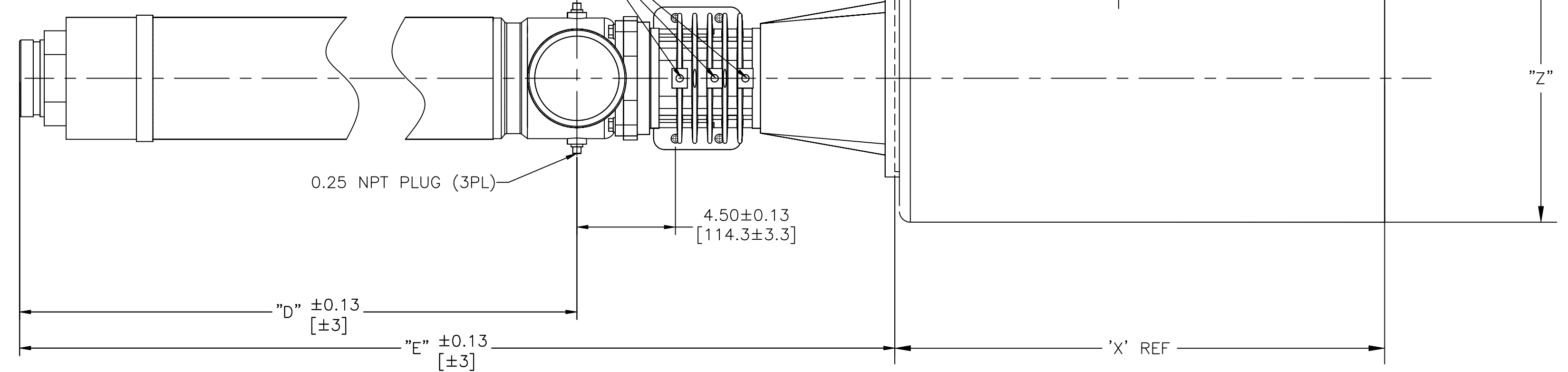


NEMA FRAME SIZE	INCHES	[MM]
215TC	8.00	203.2
254TC	10.00	254

NOTES:

- 1 DIMENSIONS ARE IN INCHES [MILLIMETERS].
- 2 PUMP INLET CONNECTIONS MATE WITH 4-INCH VICTAULIC TYPE CLAMPED UNIONS. PUMP INLET MAY BE ROTATED IN 90° INCREMENTS.
- 3 PUMP DISCHARGE CONNECTIONS MATE WITH 3-INCH VICTAULIC TYPE CLAMPED UNIONS.
- 4 PUMP AND MOTOR ADAPTER WILL ACCEPT NEMA 215TC AND 254TC FRAME 3565 RPM ELECTRIC MOTORS AND A FLEXIBLE COUPLING. FOR 215TC AND 254TC FRAME MOTORS, THE FLANGE IS TO BE FLUSH WITH THE END OF THE PUMP DRIVE SHAFT.
- 5 SEE PUMP INSTRUCTIONS P/N 1123175 FOR ADDITIONAL INFORMATION ON INSTALLATION, STARTUP, AND MAINTENANCE.

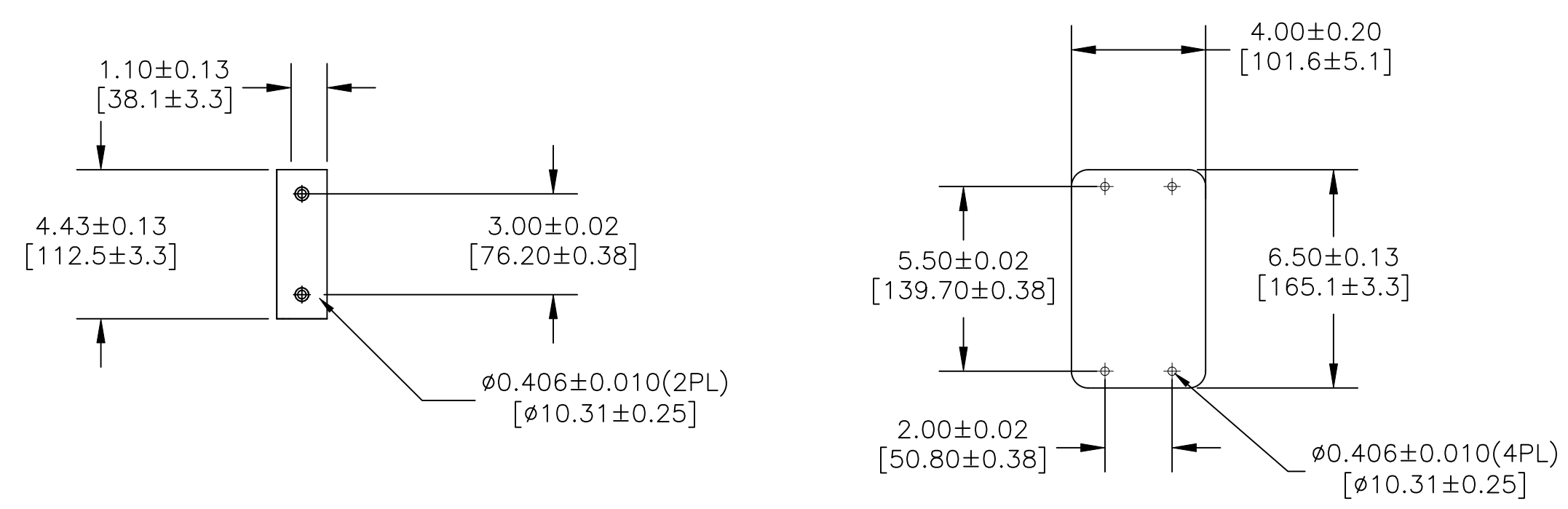
GREASE PORTS;
LUBE CENTER FOR HORIZONTAL MOUNTING
LUBE LEFT AND CENTER FOR VERTICAL MOUNTING, MOTOR DOWN
LUBE RIGHT AND CENTER FOR VERTICAL MOUNTING, MOTOR UP



NEMA FRAME SIZE	INCHES	[MM]
215TC	9.50	241.4
254TC	12.15	308.7

NEMA FRAME SIZE	INCHES	[MM]
215TC	3.50	88.9
254TC	4.59	116.6

NEMA FRAME SIZE	INCHES	[MM]
215TC	5.78	147
254TC	7.37	187



VICTAULIC® DIMENSIONS STANDARD 3" DISCHARGE CONNECTIONS		
ITEM	INCHES	MILLIMETERS
"A"	0.625±0.031	15.88±0.78
"B"	0.312±0.031	7.94±0.78
"C"	3.50±0.031	88.90±0.78
"G"	3.344 ^{+0.000} _{-0.018}	84.94 ^{+0.00} _{-0.46}

VICTAULIC® DIMENSIONS STANDARD 4" INLET CONNECTIONS		
ITEM	INCHES	MILLIMETERS
"A"	0.625±0.031	15.88±0.78
"B"	0.375±0.031	9.53±0.78
"C"	4.50±0.031	114.30±0.78
"G"	4.334 ^{+0.000} _{-0.020}	110.08 ^{+0.00} _{-0.51}

MODELS		"D"	"E"	"F"
60HZ	50HZ	INCHES	INCHES	INCHES
AS22503D	AS22503D	21.81	36.31	20.31

NEMA FRAME SIZE	"X"		"Y"		"Z"	
	INCHES	[MM]	INCHES	[MM]	INCHES	[MM]
215TC	17.77	451.4	FOOTLESS	11.00	279.4	
254TC	22.34	567.4	FOOTLESS	13.12	333.2	

REV	DESCRIPTION	ECO	DWN	APVD	DATE	CHKD
A	INITIAL RELEASE	14785	-	-	-	-

GE Water & Process Technologies
GLOBAL HEADQUARTERS : TREVOSE, PA USA +1-215-355-3300 WWW.GEWATER.COM

THIS DRAWING, THE DESIGN AND THE PATENTS IT COVERS, IS THE PROPERTY OF GENERAL ELECTRIC COMPANY AND ITS AFFILIATES AND THE INFORMATION CONTAINED HEREIN IS PROPRIETARY INFORMATION WHICH IS NOT TO BE DISCLOSED TO ANYONE WITHOUT PRIOR WRITTEN CONSENT OF SAID COMPANY. THIS DRAWING IS TO BE USED EXCLUSIVELY FOR THE PURPOSES EXPRESSLY AUTHORIZED BY GENERAL ELECTRIC COMPANY AND ITS AFFILIATES THROUGH ITS OFFICERS AND QUALIFIED REPRESENTATIVES AND FOR NO OTHER PURPOSE. NEITHER THIS DRAWING, NOR ANY PORTION THEREOF, SHALL BE REPRODUCED WITHOUT THE PRIOR WRITTEN CONSENT OF SAID COMPANY, AND ANY SUCH REPRODUCTION SHALL BEAR THIS NOTICE.

CLIENT/JOB	TITLE
FILE AUTOCAD	MATERIAL

DWG,TF,OUTLINE,
AS22500 "D" SERIES PUMP

SIZE	DRAWING NO.	REV
D	1310307	A
SCALE	1:4	SHEET 1 OF 1