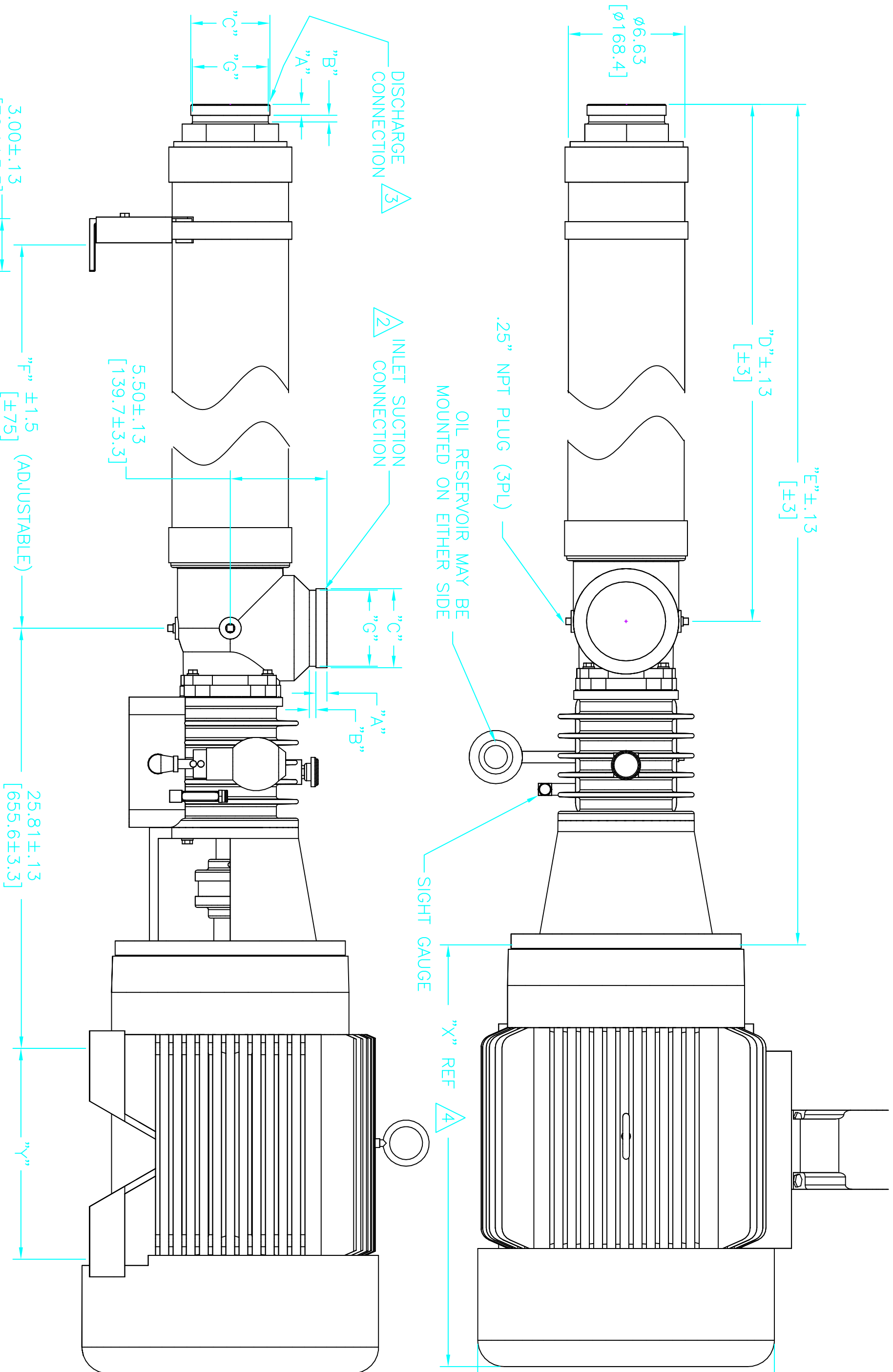


REVISION HISTORY						
REV	ZONE	DESCRIPTION	ECO	DWN	DATE	APVD
A		INITIAL RELEASE	5214	-	-	-



MODELS					
	60HZ	50HZ	"D"	"E"	"F"
	AS40412KTF/AS40612KTF	AS40415KTF/AS40615KTF	INCHES [MM]	INCHES [MM]	INCHES [MM]
			69.88 [1775]	88.79 [2255]	57.88 [1470]
			85.01 [2159]	103.92 [2640]	73.01 [1854]

MOTOR SIZE					
	404TSC	405TSC	"X"	"Y"	
	INCHES [MM]	INCHES [MM]	INCHES [MM]	INCHES [MM]	INCHES [MM]
	28.62 [726]	30.12 [765]	7.26 [182.5]	12.25 [311]	3.11 [78.9]
	30.12 [765]	31.12 [790]	7.65 [194.3]	13.75 [349]	3.49 [88.7]

VICTAULIC® DIMENSIONS STANDARD 4"					
ITEM	INCHES	MILLIMETERS	ITEM	INCHES	MILLIMETERS
"A"	.625±.031	15.88±.78	"A"	.625±.031	15.88±.78
"B"	.375±.031	9.53±.78	"B"	.375±.031	9.53±.78
"C"	4.500+.045 -.031	114.30+.114 -.78	"C"	6.625+.063 -.031	168.28+.160 -.78
"G"	4.334+.000 -.020	110.08+.00 -.51	"G"	6.455+.000 -.022	163.96+.00 -.56

VICTAULIC® DIMENSIONS STANDARD 6"					
ITEM	INCHES	MILLIMETERS	ITEM	INCHES	MILLIMETERS
"A"	.625±.031	15.88±.78	"A"	.625±.031	15.88±.78
"B"	.375±.031	9.53±.78	"B"	.375±.031	9.53±.78
"C"	4.500+.045 -.031	114.30+.114 -.78	"C"	6.625+.063 -.031	168.28+.160 -.78
"G"	4.334+.000 -.020	110.08+.00 -.51	"G"	6.455+.000 -.022	163.96+.00 -.56

- NOTES:
- DIMENSIONS ARE IN INCHES [MILLIMETERS].
 - 406XX PUMP MODELS MATE WITH 6-INCH VICTAULIC TYPE CLAMPED UNION.
 - 404XX PUMP MODELS MATE WITH 4-INCH VICTAULIC TYPE CLAMPED UNION.
 - 4-INCH INLET IS SHOWN. INLET MAY BE ROTATED IN 90° INCREMENTS. SEE TABLE FOR VICTAULIC DIMENSIONS.
 - PUMP DISCHARGE CONNECTIONS MATE WITH 4-INCH VICTAULIC TYPE CLAMPED UNION
 - TEFC MARATHON 404TSC MOTOR SHOWN, MOTOR DIMENSIONS WILL VARY WITH MANUFACTURER AND ARE SHOWN FOR REFERENCE ONLY.
 - PUMP AND MOTOR ADAPTER WILL ACCEPT NEMA 404/405TSC FRAMES 3450 RPM ELECTRIC MOTOR AND A WOODS FLEXIBLE COUPLING WITH THE END OF THE PUMP DRIVE SHAFT.
 - THE 404/405TSC FRAME MOTORS MUST HAVE A BASE AND BE RIGIDLY MOUNTED. MOUNTING OF BEARING FRAME BASE IN A STRAIN-FREE MANNER IS OPTIONAL WITH 404/405TSC FRAME MOTORS.
 - SEE PUMP INSTRUCTIONS P/N 1125317 FOR ADDITIONAL INFORMATION ON INSTALLATION, STARTUP, AND MAINTENANCE.
 - FOR REPRINTS OF THIS DRAWING, ORDER MATERIAL NO.1225756.

GE Power & Water
Water & Process Technologies

DWG. TITLE: DWG. TF, OUTLINE, AS40000KF/KTF
404/405TSC NEMA MOTOR

REV A

ORDER NO.	CHKD	DATE	DATE	DATE	DATE	DATE	DATE	DATE	DATE
CUSTOMER	MAS	31 Jan 01	13 Dec 00	01Dec00	01Dec00	01Dec00	01Dec00	01Dec00	01Dec00
CUSTOMER LOC.	MJT	13 Dec 00							
DO NOT SCALE	APVD	SCALE	SCALE	SCALE	SCALE	SCALE	SCALE	SCALE	SCALE