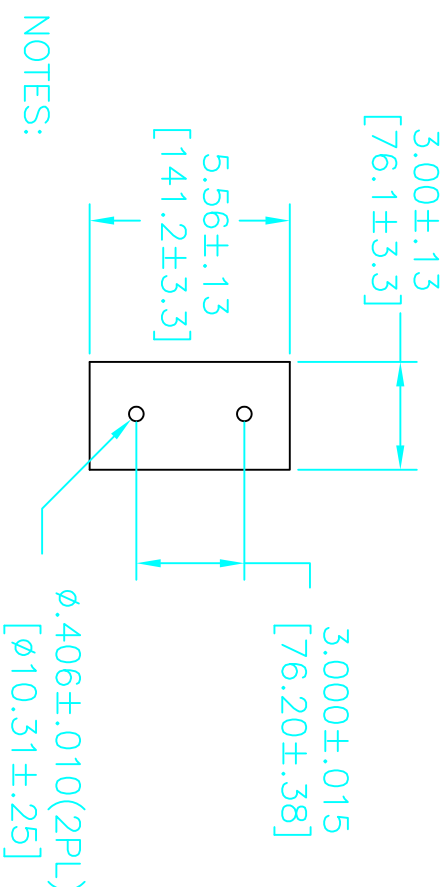
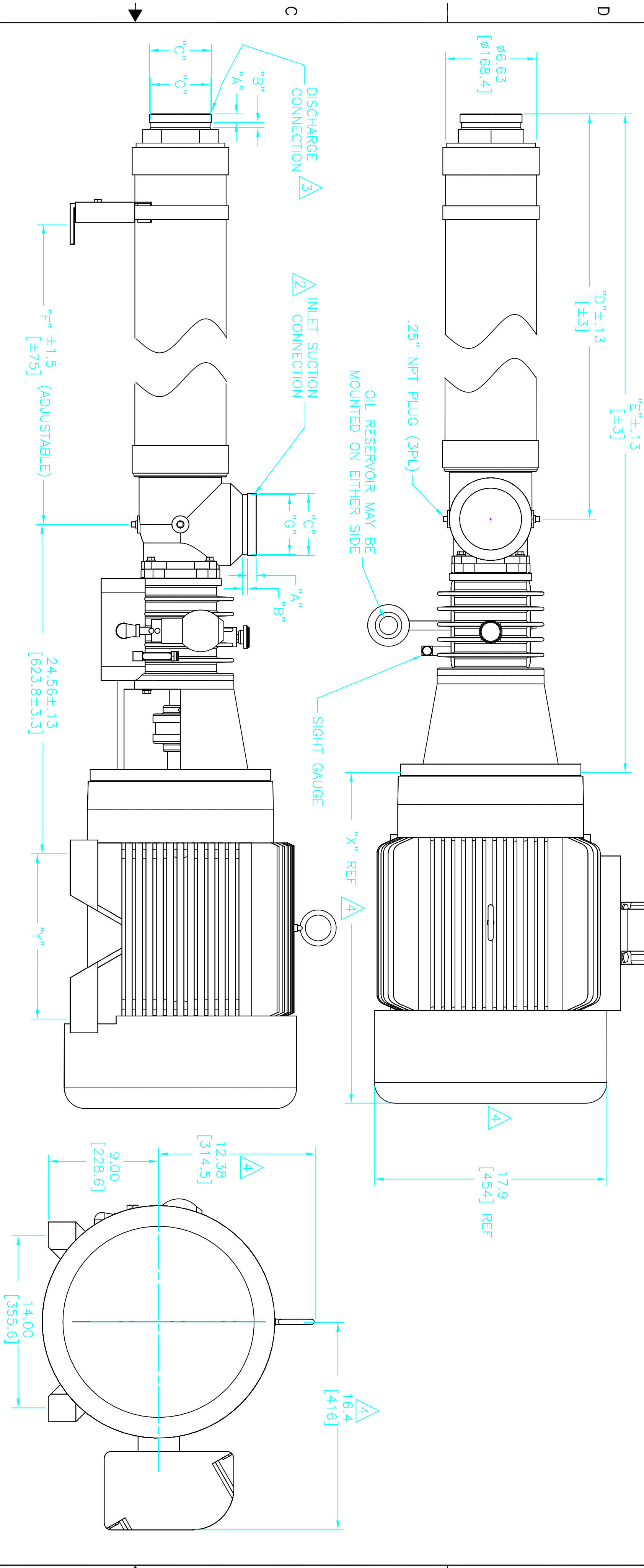


REVISION HISTORY						
REV	ZONE	DESCRIPTION	ECO	DWN	DATE	APVD
A		INITIAL RELEASE	5214	-	-	-



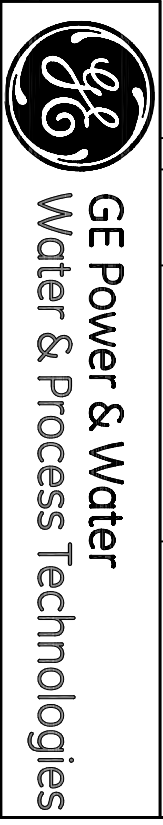
MODELS		"D"	"E"	"F"			
		INCHES	[MM]	INCHES	[MM]	INCHES	[MM]
60HZ	AS40407KE/AS40607KE	44.65	1134	63.06	1602	36.65	930
	AS40409KTE/AS40609KTE	54.74	1390	73.15	1858	46.74	1187
	AS40410KE/AS40610KE	59.79	1519	78.20	1986	51.79	1315
	AS40412KE/AS40612KE	69.88	1775	88.29	2243	61.88	1572

MOTOR SIZE		"X"	"Y"		
		INCHES	[MM]	INCHES	[MM]
364TSC	364TSC	25.88	657	11.25	285
365TSC	365TSC	26.88	682	12.25	311

VIC TAULIC® DIMENSIONS STANDARD 4" DISCHARGE CONNECTIONS		VIC TAULIC® DIMENSIONS STANDARD 6" INLET CONNECTION	
ITEM	INCHES	MILLIMETERS	MILLIMETERS
"A"	.625 \pm .031	15.88 \pm .78	15.88 \pm .78
"B"	.375 \pm .031	9.53 \pm .78	9.53 \pm .78
"C"	4.500 \pm .045	114.30 \pm 1.14	168.28 \pm 1.60
"G"	4.334 \pm .000	110.08 \pm .00	163.96 \pm .56

NOTES:

- DIMENSIONS ARE IN INCHES [MILLIMETERS].
- 406XX PUMP MODELS MATE WITH 6-INCH VIC TAULIC TYPE CLAMPED UNION.
- 404XX PUMP MODELS MATE WITH 4-INCH VIC TAULIC TYPE CLAMPED UNION.
- 4-INCH SIZE INLET IS SHOWN. INLET MAY BE ROTATED IN 90° INCREMENTS. SEE TABLES FOR VIC TAULIC DIMENSIONS.
- PUMP DISCHARGE CONNECTIONS MATE WITH 4-INCH VIC TAULIC TYPE CLAMPED UNION
- TEFC MARATHON 364TSC MOTOR SHOWN, MOTOR DIMENSIONS WILL VARY WITH MANUFACTURER AND ARE SHOWN FOR REFERENCE ONLY.
- PUMP AND MOTOR ADAPTER WILL ACCEPT NEMA 364/365TSC FRAMES 3450 RPM ELECTRIC MOTOR AND A WOODS FLEXIBLE COUPLING WITH THE END OF THE PUMP DRIVE SHAFT.
- THE 364/365TSC FRAME MOTORS MUST HAVE A BASE AND BE RIGIDLY MOUNTED. MOUNTING OF BEARING FRAME BASE IN A STRAIN-FREE MANNER IS OPTIONAL WITH 364/365TSC FRAME MOTORS.
- SEE PUMP INSTRUCTIONS P/N 1125317 FOR ADDITIONAL INFORMATION ON INSTALLATION, STARTUP, AND MAINTENANCE.
- FOR REPRINTS OF THIS DRAWING, ORDER MATERIAL NO. 1225754.



ORDER NO.	CHKD	DATE	DATE	DATE	DATE	DATE
CUSTOMER	MAS	31 Jan 01	05Dec00	13 Dec 00	13 Dec 00	13 Dec 00
CUSTOMER LOC.	MJT					
DO NOT SCALE	APVD					

NOTICE ON REPRODUCTIONS: THE PROPERTY OF GE POWER & WATER THEY ARE LOANED MERELY AND ON THE BORROWER'S EXPRESS AGREEMENT THAT THEY WILL NOT BE REPRODUCED, COPIED, LOANED, REPRODUCED, EITHER WHOLLY OR IN PART, OR UNDER ANY NAME, WITHOUT THE WRITTEN CONSENT OF GE POWER & WATER.

FINISH: .X \pm .1
XXX \pm .03
XXX \pm .010

FRAC TOLERANCES UNLESS NOTED: ANGLES $\pm 2'$