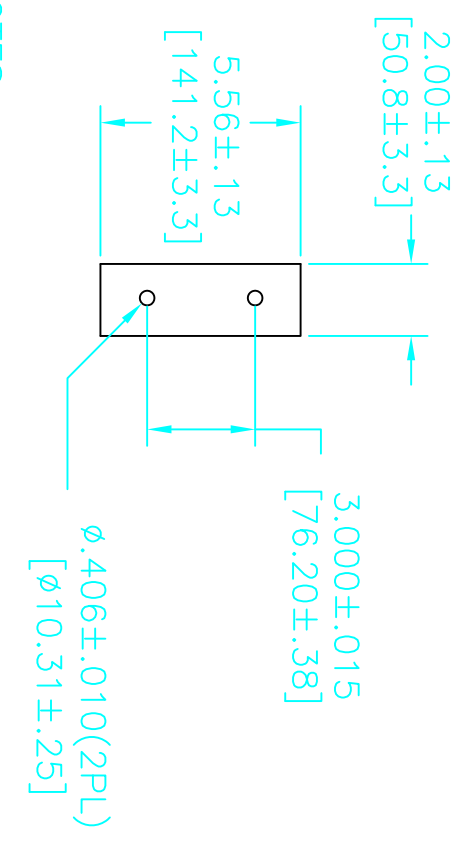
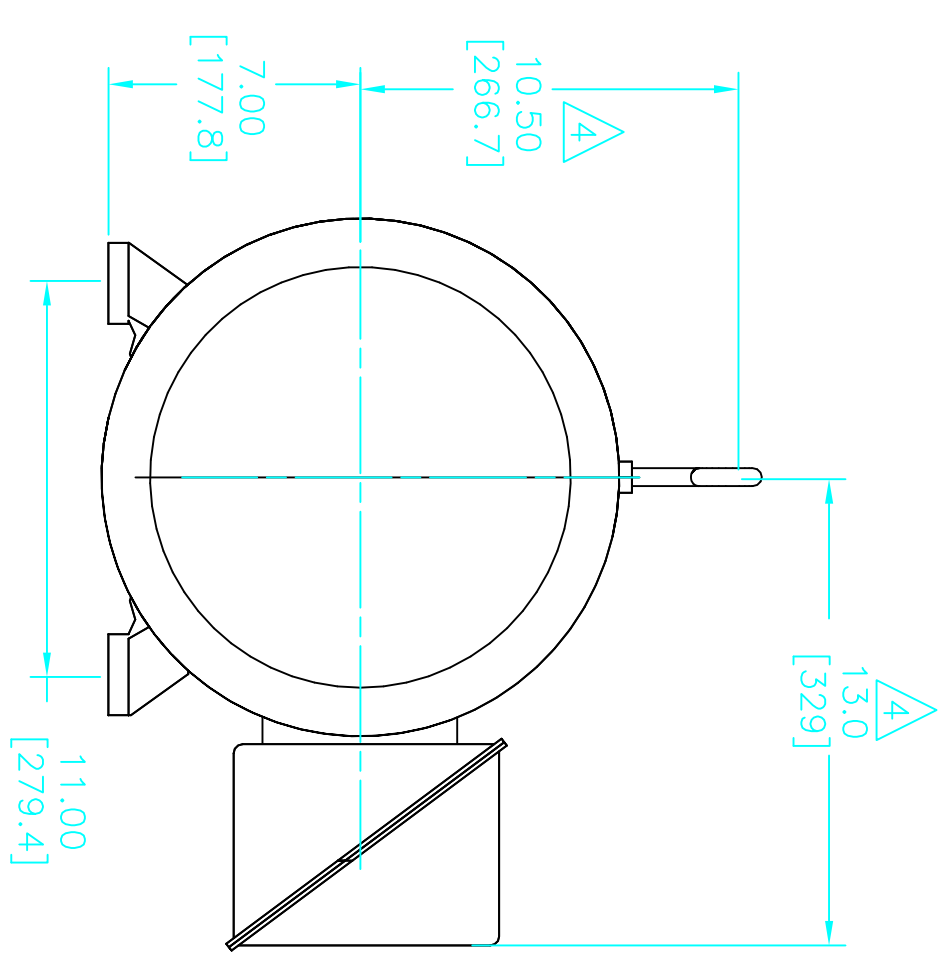
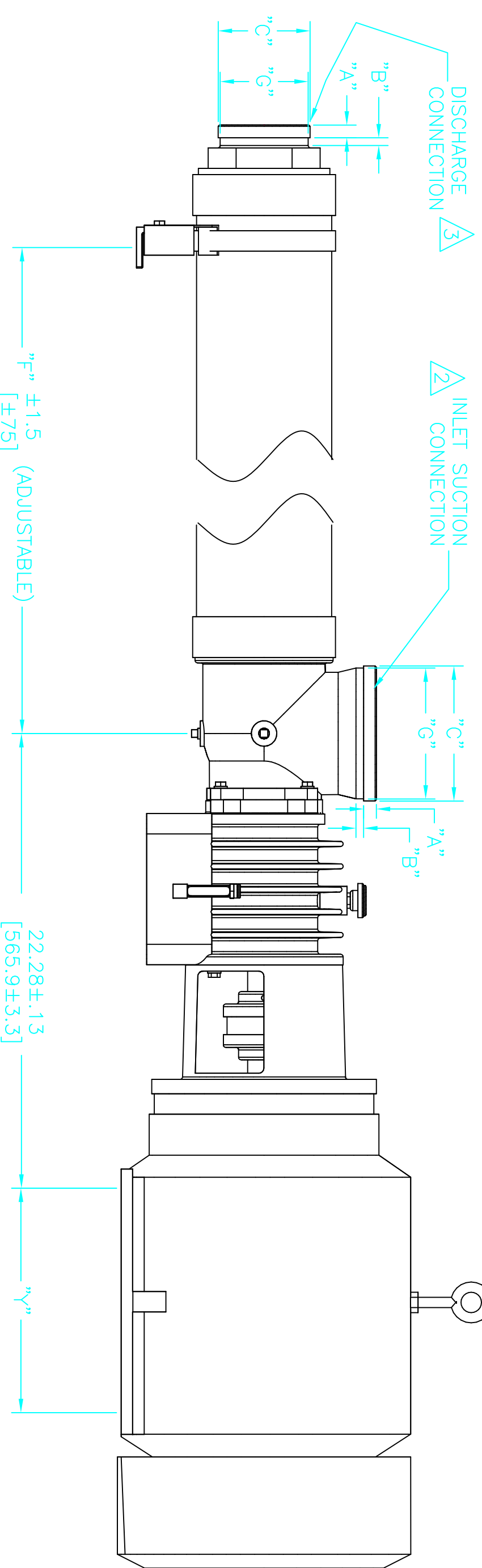
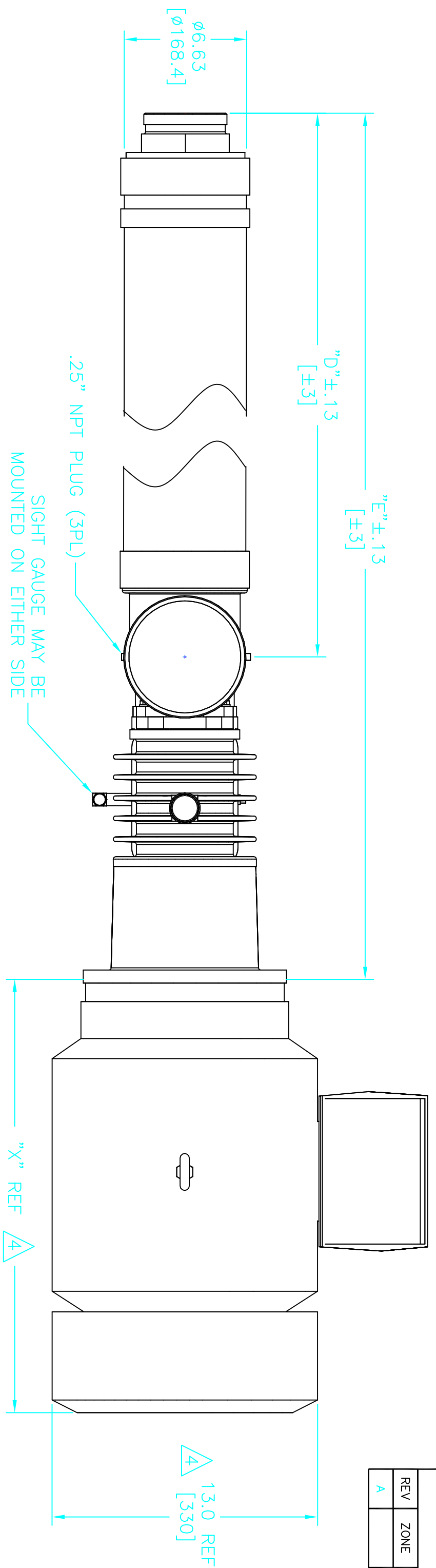


| REVISION HISTORY | | | | | | |
|------------------|------|-----------------|------|-----|------|------|
| REV | ZONE | DESCRIPTION | ECO | DWN | DATE | APVD |
| A | | INITIAL RELEASE | 5214 | - | - | - |



| MODELS | | "D" | "E" | "F" | | | |
|--------|---------------------|--------|------|--------|------|--------|------|
| | | INCHES | [MM] | INCHES | [MM] | INCHES | [MM] |
| 60HZ | AS40403KC/AS40603KC | 24.48 | 622 | 42.13 | 1070 | 18.47 | 469 |
| 50HZ | AS40404KC/AS40604KC | 29.52 | 750 | 47.17 | 1198 | 23.52 | 567 |
| | AS40405KC/AS40605KC | 34.56 | 878 | 52.21 | 1326 | 28.56 | 725 |

| MOTOR SIZE | | "X" | "Y" | | |
|------------|--------|--------|------|--------|------|
| | | INCHES | [MM] | INCHES | [MM] |
| 284TSC | 284TSC | 22.06 | 560 | 9.50 | 241 |
| 286TSC | 286TSC | 23.56 | 598 | 11.00 | 279 |

NOTES:

- DIMENSIONS ARE IN INCHES [MILLIMETERS].
- 406XX PUMP MODELS MATE WITH 6-INCH VICTAULIC TYPE CLAMPED UNION.
- 404XX PUMP MODELS MATE WITH 4-INCH VICTAULIC TYPE CLAMPED UNION.
- 6-INCH SIZE INLET IS SHOWN. INLET MAY BE ROTATED IN 90° INCREMENTS. SEE TABLES FOR VICTAULIC DIMENSIONS.
- PUMP DISCHARGE CONNECTIONS MATE WITH 4-INCH VICTAULIC TYPE CLAMPED UNION
- TEFC MARATHON 284TSC MOTOR SHOWN, MOTOR DIMENSIONS WILL VARY WITH MANUFACTURER AND ARE SHOWN FOR REFERENCE ONLY.
- PUMP AND MOTOR ADAPTER WILL ACCEPT NEMA 284/286TSC FRAMES 3450 RPM ELECTRIC MOTOR AND A WOODS FLEXIBLE COUPLING WITH THE END OF THE PUMP DRIVE SHAFT.
- THE 284/286TSC FRAME MOTORS MUST HAVE A BASE AND BE RIGIDLY MOUNTED. MOUNTING OF BEARING FRAME BASE IN A STRAIN-FREE MANNER IS OPTIONAL WITH 284/286TSC FRAME MOTORS.
- SEE PUMP INSTRUCTIONS P/N 1123175 FOR ADDITIONAL INFORMATION ON INSTALLATION, STARTUP, AND MAINTENANCE.
- FOR REPRINTS OF THIS DRAWING, ORDER MATERIAL NO. 1225751.

GE Power & Water
Water & Process Technologies

DWG. TITLE: 284/286TSC NEMA MOTOR

| | | | | | | | | | |
|--------------|------|-----|------|-----------|-------------|-----------|-----------|-------|--------|
| ORDER NO. | CHKD | MAS | DATE | 31 Jan 01 | SIZE | DWG NO/PN | 1202829 | REV | A |
| CUSTOMER | APVD | MJT | DATE | 13 Dec 00 | THIRD ANGLE | FILE TYPE | ACADR2000 | SHEET | 1 OF 1 |
| DO NOT SCALE | APVD | | DATE | | SCALE | NONE | | | |