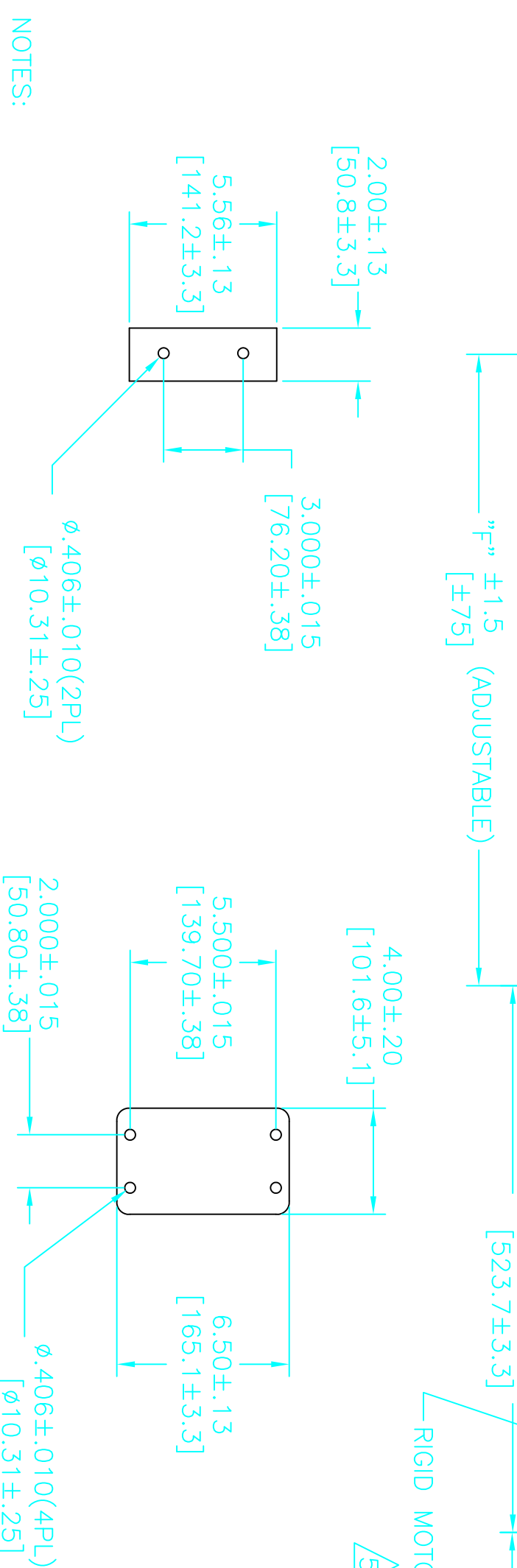
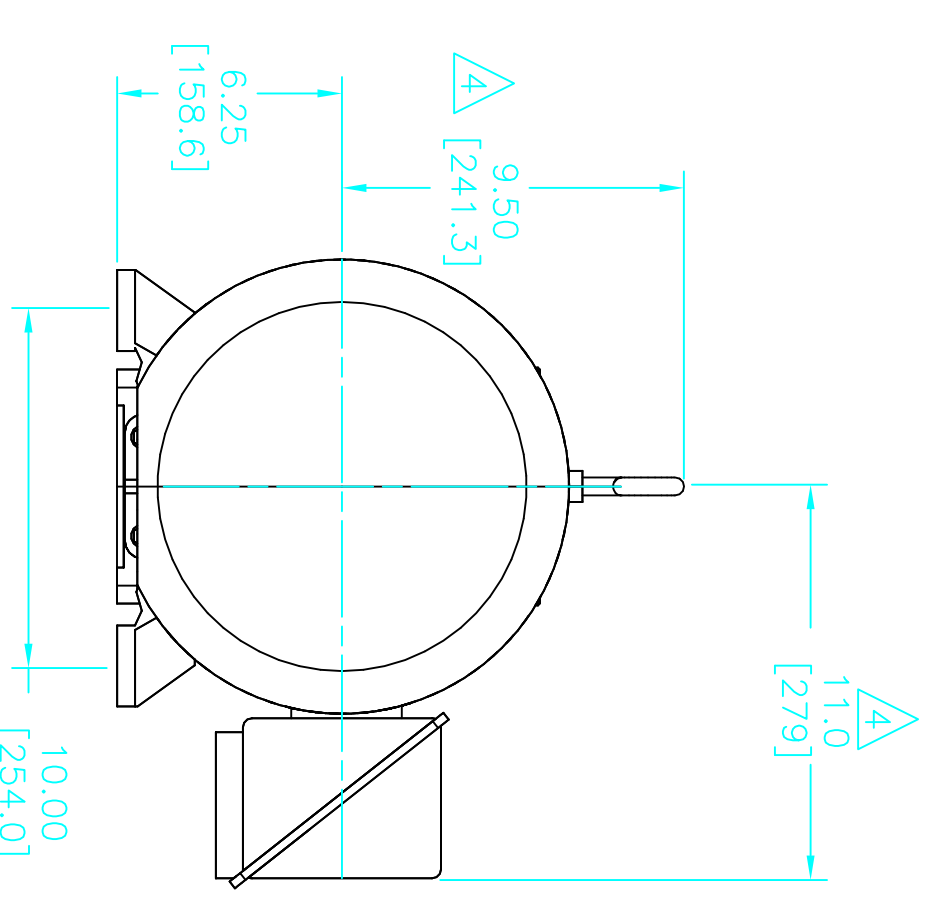
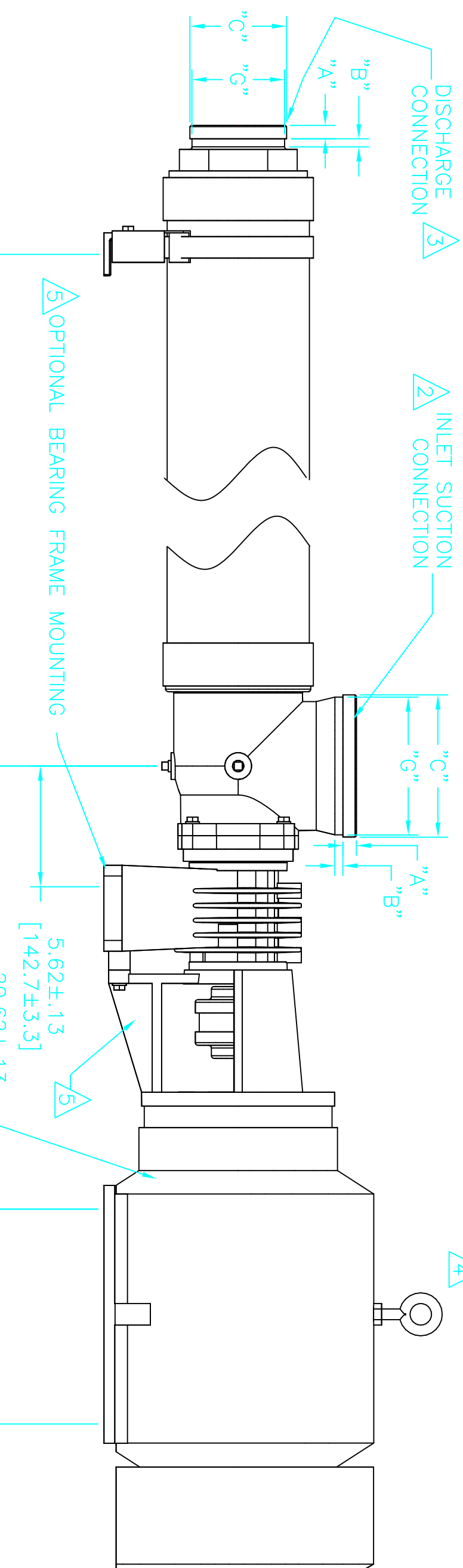
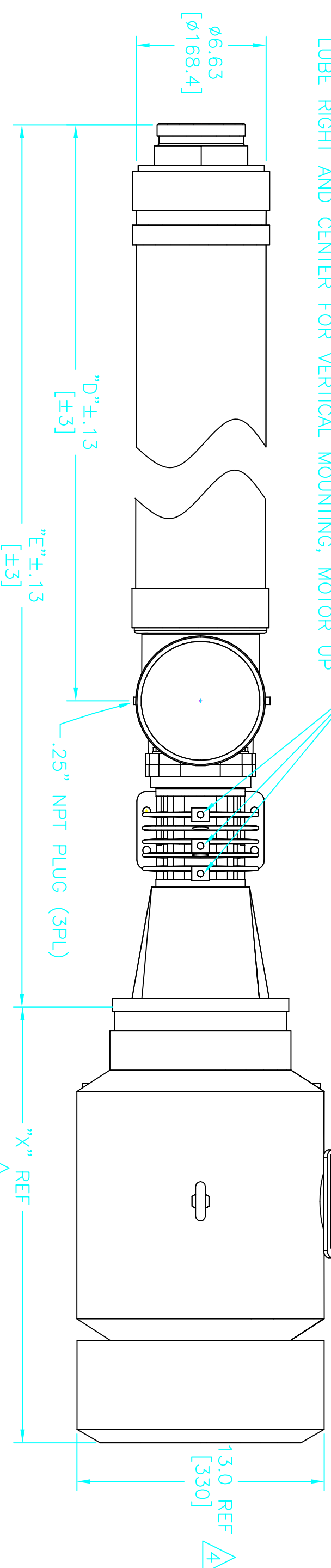


REVISION HISTORY						
REV	ZONE	DESCRIPTION	ECO	DWN	DATE	APVD
A		INITIAL RELEASE	5214	-	-	-

△6 GREASE PORTS:
 LUBE CENTER FOR HORIZONTAL MOUNTING,
 LUBE LEFT AND CENTER FOR VERTICAL MOUNTING, MOTOR DOWN
 LUBE RIGHT AND CENTER FOR VERTICAL MOUNTING, MOTOR UP



MOTOR SIZE				"X"				"Y"			
		INCHES	[MM]			INCHES	[MM]			INCHES	[MM]
254TC		20.56	522	8.25		8.25	964	20.56		522	964
256TC		22.31	566	10.00		10.00	254	22.31		566	254

VICATAULIC® DIMENSIONS STANDARD 4"				VICATAULIC® DIMENSIONS STANDARD 6"			
ITEM	INCHES	MILLIMETERS	INLET CONNECTION	ITEM	INCHES	MILLIMETERS	INLET CONNECTION
"A"	.625 ±.031	15.88 ±.78	"A"	.625 ±.031	15.88 ±.78		
"B"	.375 ±.031	9.53 ±.78	"B"	.375 ±.031	9.53 ±.78		
"C"	4.500 ±.045	114.30 ±.114	"C"	6.625 ±.063	168.28 ±.160		
"G"	4.334 ±.000	110.08 ±.51	"G"	6.455 ±.000	163.96 ±.56		

NOTES:

- DIMENSIONS ARE IN INCHES [MILLIMETERS].
- 406XX PUMP MODELS MATE WITH 6-INCH VICATAULIC TYPE CLAMPED UNION.
- 404XX PUMP MODELS MATE WITH 4-INCH VICATAULIC TYPE CLAMPED UNION.
- 6-INCH SIZE INLET IS SHOWN. INLET MAY BE ROTATED IN 90° INCREMENTS. SEE TABLES FOR VICATAULIC DIMENSIONS.
- PUMP DISCHARGE CONNECTIONS MATE WITH 4-INCH VICATAULIC TYPE CLAMPED UNION
- TEFC MARATHON 256TC MOTOR SHOWN, MOTOR DIMENSIONS WILL VARY WITH MANUFACTURER AND ARE SHOWN FOR REFERENCE ONLY.
- PUMP AND MOTOR ADAPTER WILL ACCEPT NEMA 254/256TC FRAMES 3450 RPM ELECTRIC MOTOR AND A WOODS FLEXIBLE COUPLING WITH THE END OF THE PUMP DRIVE SHAFT.
- THE 254/256TC FRAME MOTORS MUST HAVE A BASE AND BE RIGIDLY MOUNTED. MOUNTING OF BEARING FRAME BASE IN A STRAIN-FREE MANNER IS OPTIONAL WITH 254/256TC FRAME MOTORS. SEE PUMP INSTRUCTIONS P/N 1123175 FOR ADDITIONAL INFORMATION ON INSTALLATION, STARTUP, AND MAINTENANCE.
- FOR REPRINTS OF THIS DRAWING, ORDER MATERIAL NO.1225748.

MODELS		"D"		"E"		"F"	
		INCHES	[MM]	INCHES	[MM]	INCHES	[MM]
60HZ	50HZ	19.43	494	35.06	890	11.43	290
AS40402D/AS40602D		24.47	622	40.10	1018	16.47	418
AS40403D/AS40603D							

FINISH		MATERIAL		TITLE	
.XX ±.03		XXX ±.010		DWG, TF, OUTLINE, AS40000D	
DWN PPM		DATE 05/06/00		254/256TC NEMA MOTOR	
CHKD MAS		DATE 31 Jan 01		DWG NO./FN	
APVD MJT		DATE 13 Dec 00		1202827	
DO NOT SCALE		APVD		FILE TYPE ACADR2000	
		SCALE NONE		SHEET 1 OF 1	



NOTICE ON REPRODUCTIONS: THE PROPERTY OF GE POWER & WATER THEY ARE LOANED MERELY AND ON THE BORROWER'S EXPRESS AGREEMENT THAT THEY WILL NOT BE REPRODUCED, COPIED, LOANED, RENTED, REPRODUCED, OR TRANSMITTED IN ANY MANNER WITHOUT THE WRITTEN CONSENT OF GE POWER & WATER.