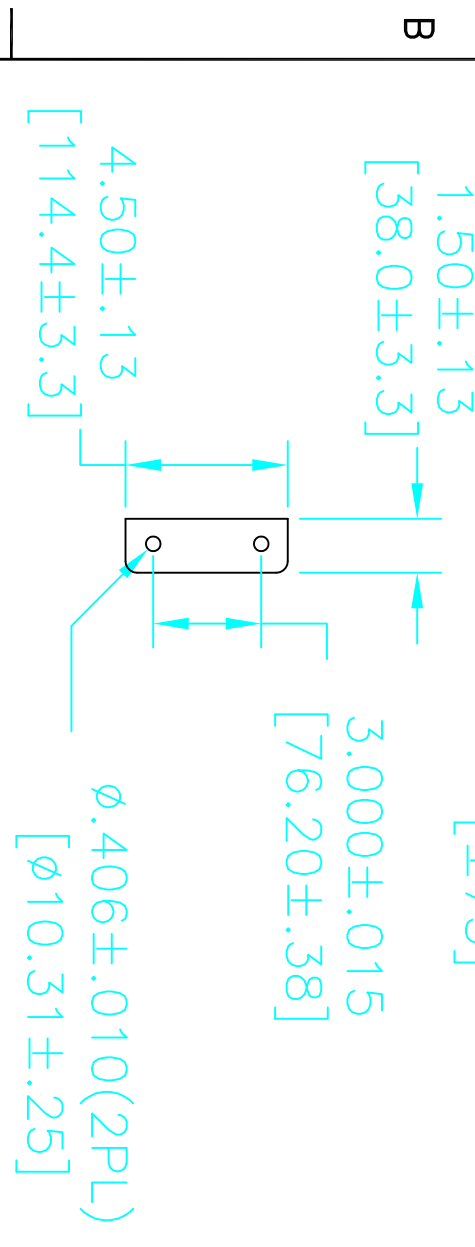
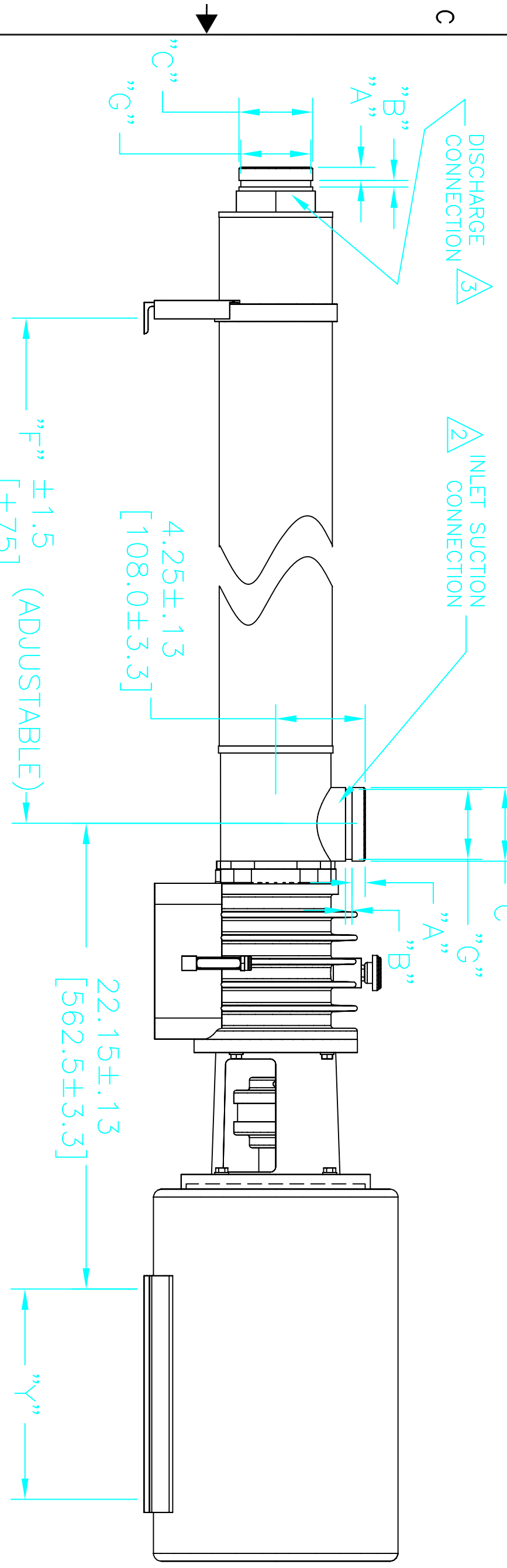
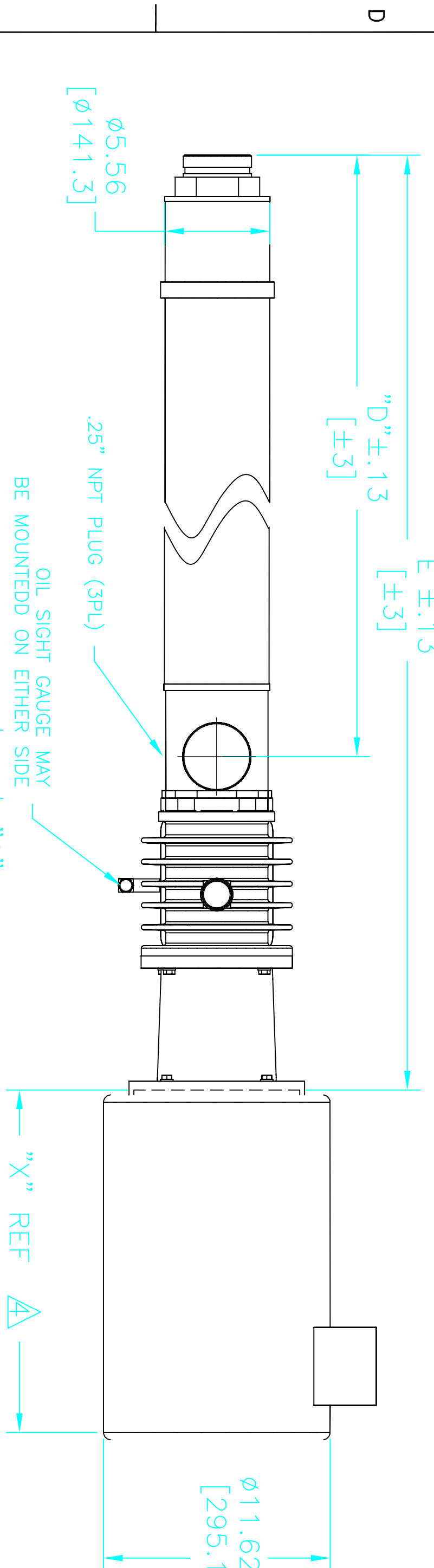


REVISION HISTORY						
REV	ZONE	DESCRIPTION	ECO	DWN	DATE	APVD
A	-	INITIAL RELEASE	3334	-	-	-



MODELS	"D"	"E"	"F"
60HZ	INCHES	[MM]	INCHES
SS24004KB	24.68	626	41.83
			1062
			18.68
			474

VICTAULIC® DIMENSIONS STANDARD 3"			VICTAULIC® DIMENSIONS STANDARD 4"		
ITEM	INCHES	MILLIMETERS	ITEM	INCHES	MILLIMETERS
"A"	.625±.031	15.88±.78	"A"	.625±.031	15.88±.78
"B"	.312±.031	7.94±.78	"B"	.375±.031	9.53±.78
"C"	3.500±.031	88.90±.78	"C"	4.500±.031	114.30±.78
"G"	3.344±.000	84.94±.00	"G"	4.334±.000	110.08±.51

MOTOR SIZE		
"X"	"Y"	"Z"
INCHES	[MM]	INCHES
256TC	22.06	560
		10.00
		254

NOTES:

- DIMENSIONS ARE IN INCHES [MILLIMETERS].
- PUMP INLET CONNECTIONS MATE WITH 4-INCH VICTAULIC TYPE CLAMPED UNIONS
- PUMP INLET MAY BE ROTATED IN 90° INCREMENTS.
- PUMP DISCHARGE CONNECTIONS MATE WITH 3-INCH VICTAULIC TYPE CLAMPED UNION
- TEFC MARATHON 256TC MOTOR SHOWN, MOTOR DIMENSIONS WILL VARY WITH MANUFACTURER AND ARE SHOWN FOR REFERENCE ONLY.
- PUMP AND MOTOR ADAPTER WILL ACCEPT NEMA 256TC FRAMES, 3450 RPM ELECTRIC MOTOR AND A WOODS FLEXIBLE COUPLING WITH THE END OF THE PUMP DRIVE SHAFT. THE 256TC FRAME MOTORS MUST HAVE A BASE AND BE RIGIDLY MOUNTED. MOUNTING OF BEARING FRAME BASE IN A STRAIN-FREE MANNER IS OPTIONAL WITH 256TC FRAME MOTORS.
- SEE PUMP INSTRUCTIONS P/N 1125317 FOR ADDITIONAL INFORMATION ON INSTALLATION, STARTUP, AND MAINTENANCE.

NOTICE ON REPRODUCTIONS: THE PROPERTY OF GE POWER & WATER THEY ARE LOANED MERELY AND ON THE BORROWER'S EXPRESS AGREEMENT THAT THEY WILL NOT BE REPRODUCED, COPIED, LOANED, REPRODUCED, OR TRANSMITTED IN ANY MANNER WITHOUT THE WRITTEN CONSENT OF GE POWER & WATER.

FINISH: .X ± .1  
XXX ± .03  
XXX ± .010

TOLERANCES UNLESS NOTED: ANGLES ± 2°

GE Power & Water  
Water & Process Technologies

DWG, TF, OUTLINE  
SS24000KB, 256TC NEMA MOTOR

ORDER NO.	CHKD	DATE	SIZE	MATERIAL NO.	REV
	APVD	06JUL198	C	1202535	A
CUSTOMER NO.	APVD	DATE	THIRD ANGLE	FILE TYPE	SHEET
	APVD	DATE	3/16" = 1"	ACAD	1 OF 1