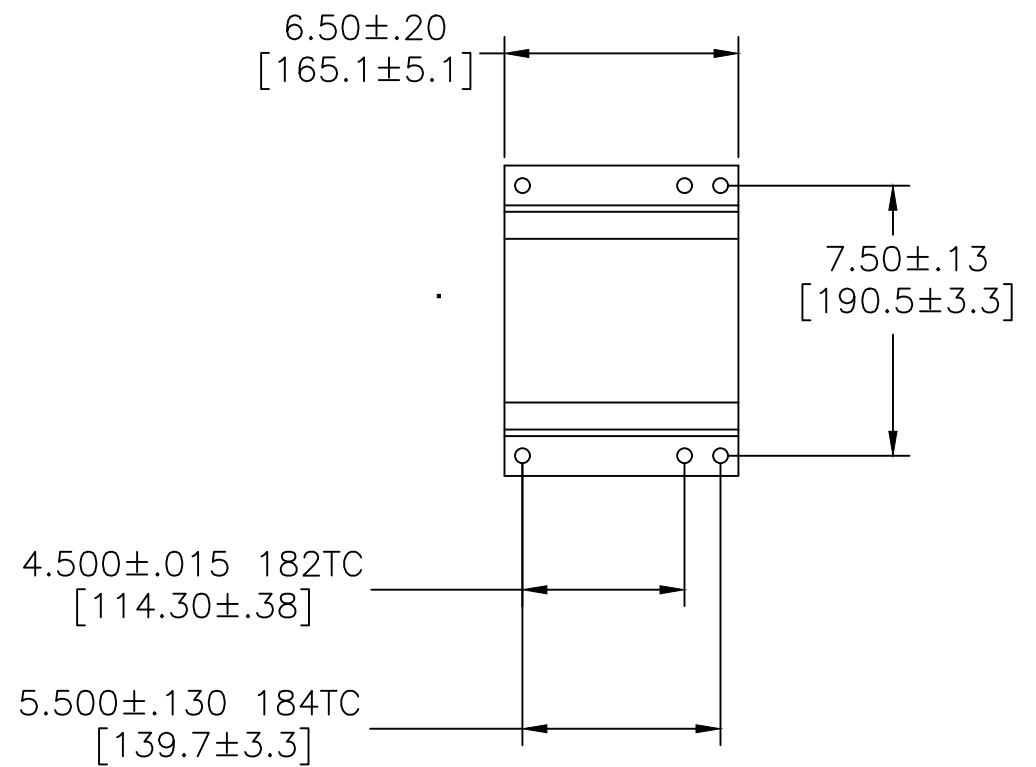
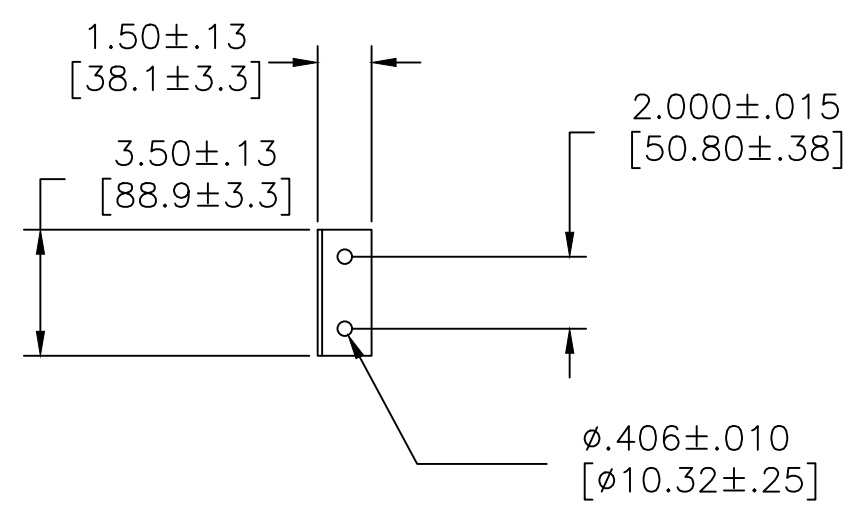
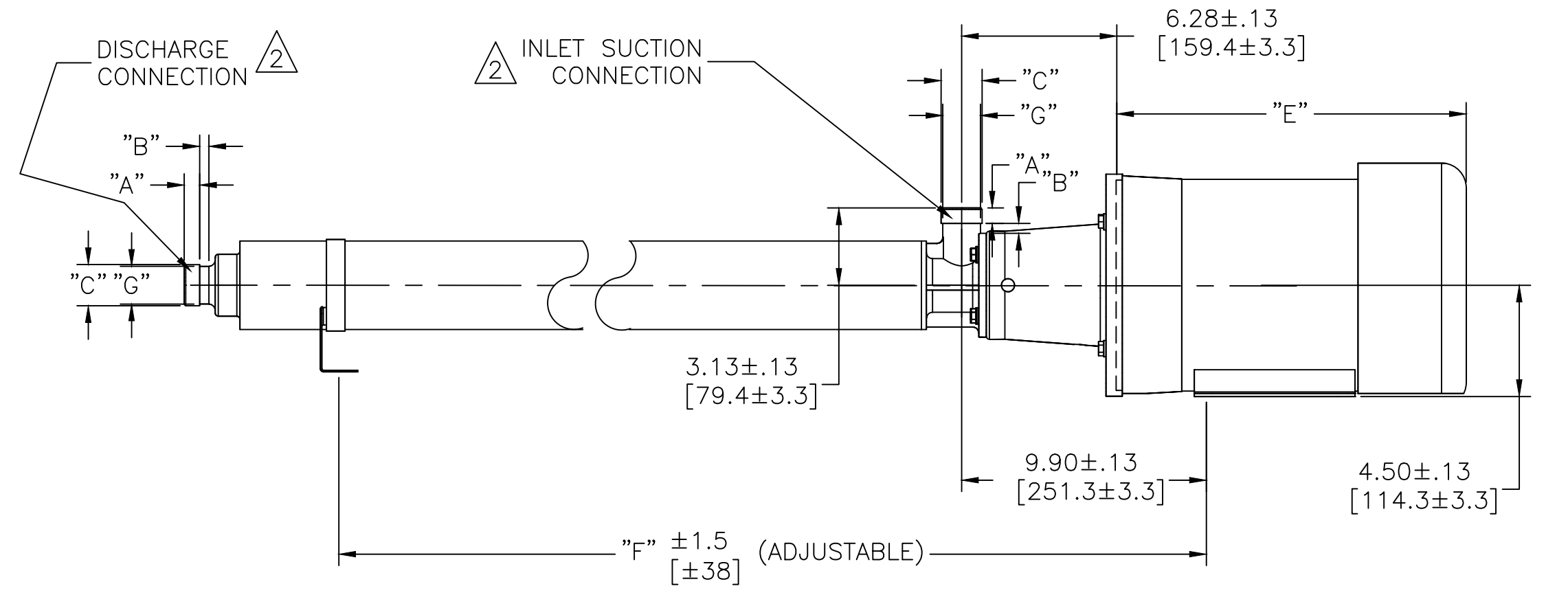
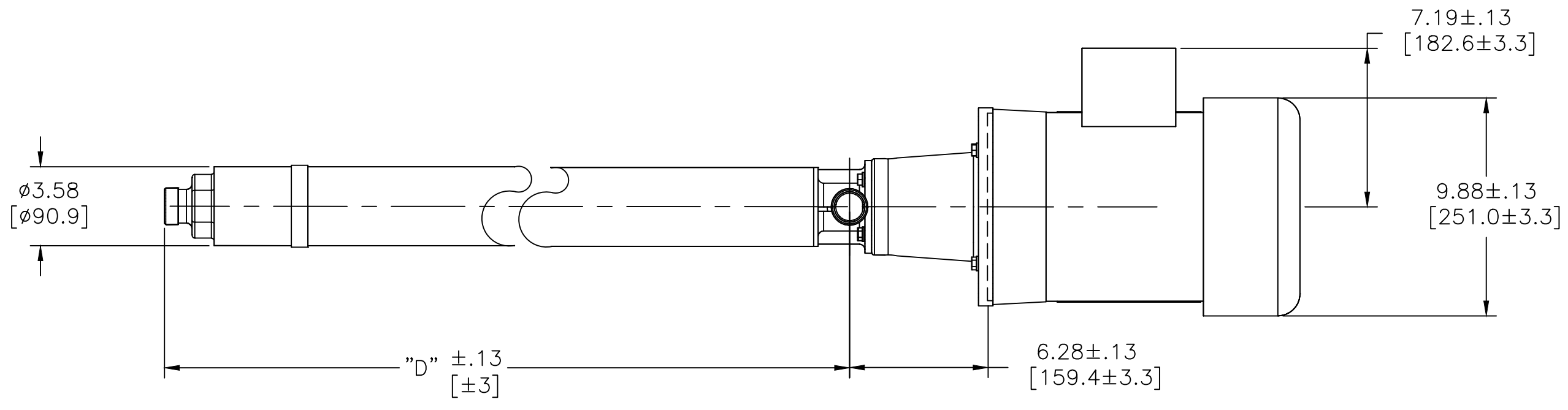


4

3

2

1



VICTAULIC® DIMENSIONS  
STANDARD 1.25" INLET &  
DISCHARGE CONNECTIONS

ITEM	INCHES	MILLIMETERS
"A"	.625±.031	15.88±.78
"B"	.375±.031	9.53±.78
"C"	1.660 <sup>+.045</sup> <sub>-.031</sub>	48.16 <sup>+.114</sup> <sub>-.78</sub>
"G"	1.535 <sup>+.000</sup> <sub>-.020</sub>	39.00 <sup>+.00</sup> <sub>-.51</sub>

MODELS		"D"		"F"		"E" MOTOR REF	
60HZ	50HZ	INCHES	[MM]	INCHES	[MM]	INCHES	[MM]
SS1823XB	SS1823XB	28.05	712	33	829	14.0	356
SS1828XB	SS1828XB	32.58	827	36	944	14.0	356
SS1832XB	SS1832XB	36.21	920	41	1036	14.0-15.5	356-394
SS1836XB		43.07	1094	48	1211	14.0-15.5	356-394
SS1838XB	SS1838XB	44.89	1140	49	1257	14.0-15.5	356-394
	SS1848XB	54.72	1390	59	1507	14.0-15.5	356-394

- NOTES:
- DIMENSIONS ARE IN INCHES [MILLIMETERS].
  - PUMP INLET AND DISCHARGE CONNECTIONS MATE WITH 1.25-INCH VICTAULIC TYPE CLAMPED UNIONS. PUMP INLET MAY BE ROTATED IN 90° INCREMENTS.
  - SEE PUMP INSTRUCTIONS P/N 1125857 FOR ADDITIONAL INFORMATION ON INSTALLATION, STARTUP, AND MAINTENANCE.

REV	DESCRIPTION	ECO	DWN	APPR	DATE	
D	SUEZ REBRANDING	131562	TG	SR	MS	20 Sep 18
C	REMOVE 2600 PUMPS	6120	PFM	WJE		29 Jul 03
B	REDRAWN ON ACAD	3334	RLH	MJT		23 JUN 98
A	RELEASED PER ECO	2577	RLH	WJE		13 OCT 97

TOLERANCES UNLESS NOTED	DECIMALS	ANGLES
	.X .1	2°
	.XX .03	FRAC
	.XXX .010	



CUSTOMER INFORMATION

DWG, TF, OUTLINE  
SS1800XB

DRAWING NUMBER		REVISION
1125798		D
PROJECT NO.	PART/MATERIAL NO.	SCALE
		3/16" = 1"
		SIZE
		C
		SHEET
		1 OF 1

4

3

2

1

PROPRIETARY AND CONFIDENTIAL: THIS DRAWING AND ALL INFORMATION AND KNOWLEDGE CONTAINED OR REFERRED HEREIN ARE THE CONFIDENTIAL AND PROPRIETARY PROPERTY OF SUEZ AND AS SUCH ARE INSTRUMENTS OF SERVICE FOR USE SOLELY WITH RESPECT TO THE PROJECT. THESE INSTRUMENTS OF SERVICE SHALL NOT BE REPRODUCED, TRANSMITTED, DISCLOSED OR USED OTHERWISE IN WHOLE OR IN PART, WITHOUT PRIOR WRITTEN AGREEMENT BY SUEZ AND MUST BE IMMEDIATELY RETURNED OR DESTROYED UPON REQUEST.

