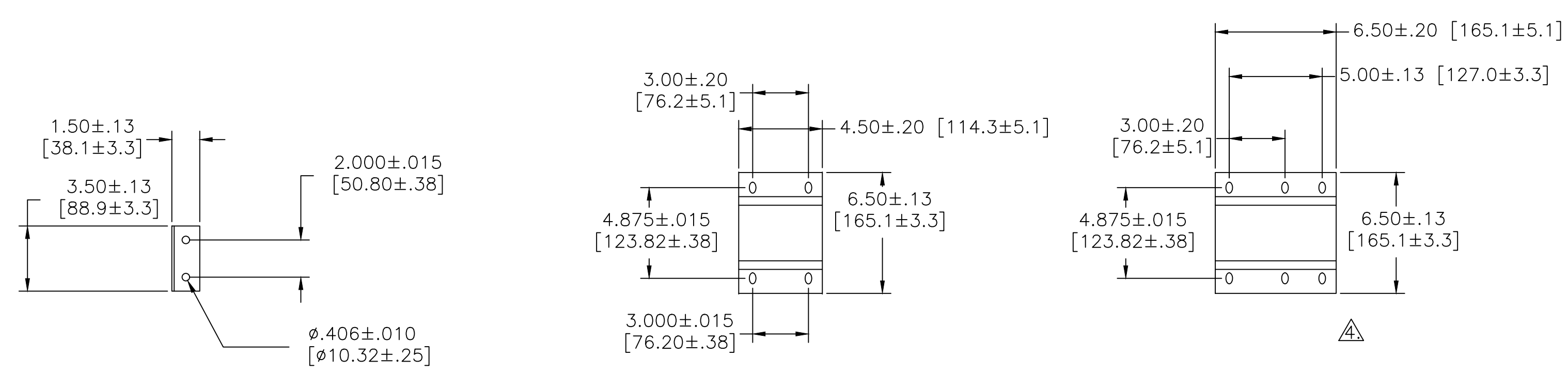


VICTAULIC® DIMENSIONS STANDARD 1.25" INLET & DISCHARGE CONNECTIONS		
ITEM	INCHES	MILLIMETERS
"A"	.625±.031	15.88±.78
"B"	.375±.031	9.53±.78
"C"	1.660 <sup>+.045</sup> <sub>-.031</sub>	48.16 <sup>+.114</sup> <sub>-.78</sub>
"G"	1.535 <sup>+.000</sup> <sub>-.020</sub>	39.00 <sup>+.00</sup> <sub>-.51</sub>



MODELS		"D"		"F"		"E" MOTOR REF		"H" MOTOR REF	
60HZ	50HZ	INCHES	[MM]	INCHES	[MM]	INCHES	[MM]	INCHES	[MM]
SS1018X		22.71	576	5.3	134	13.05	331.5	5.3	134
SS1028X		32.50	825	5.3	134	32.81	833	5.3	134
SS1804X		9.24	234	5.3	134	9.55	242	5.3	134
SS1806X	SS1806X	11.05	280	4.5-5.3	115-134	11.36	288	4.5-5.3	115-134
SS1808X	SS1808X	11.95	304	5.3	134	14.78	375	5.3	134
SS1809X	SS1809X	13.76	349	5.3	134	14.78	375	5.3	134
SS1812X		17.26	438	5.3	134	13.05	331.5	5.3	134
SS1814X		19.08	483	5.3	134	19.39	492	5.3	134
SS1816X	SS1816X	20.88	530	5.3	134	21.19	538	5.3	134
SS1817X		21.78	553	5.3	134	22.09	561	5.3	134
SS2606X		12.27	311	4.5-5.3	115-134	12.58	319	4.5-5.3	115-134
SS2608X		14.47	367	5.3	134	14.78	375	5.3	134
SS2611X		18.51	470	5.3	134	18.82	478	5.3	134
SS2615X		22.90	581	5.3	134	23.21	589	5.3	134

- NOTES:
- DIMENSIONS ARE IN INCHES [MILLIMETERS].
  - PUMP INLET AND DISCHARGE CONNECTIONS MATE WITH 1.25-INCH VICTAULIC TYPE CLAMPED UNIONS. PUMP INLET MAY BE ROTATED IN 90° INCREMENTS.
  - SEE PUMP INSTRUCTIONS P/N 1125857 FOR ADDITIONAL INFORMATION ON INSTALLATION, STARTUP, AND MAINTENANCE.
  - PLATE ONLY FOR PUMPS SS1018X AND SS1812X.

REV	DESCRIPTION	ECO	DWN	APPR	APPR	DATE
E	SUEZ REBRANDING	131562	TG	SR	MS	20 Sep 18
D	REVISED AS NOTED	56621	SSS	WG	ADW	05DEC17
C	REMOVE 2600 PUMPS	6120	PFM	WJE		29JUL03
B	REDRAWN ON ACAD	3334	RLH	MJT		23JUN98
A	RELEASED PER ECO	2577	RLH	WJE		13OCT97

TOLERANCES UNLESS NOTED	DECIMALS	ANGLES
	.X ±.1	
	.XX ±.03	
	.XXX ±.010	FRAC



CUSTOMER INFORMATION

DWG, TF, OUTLINE
SS1000/1800

DRAWING NUMBER		REVISION	
1125797		E	
REF.: -	DOC. OWNER:	PROJECT NO.	PART/MATERIAL NO.
			1200990
SCALE	SIZE	SHEET	
3:16	D	1 OF 1	