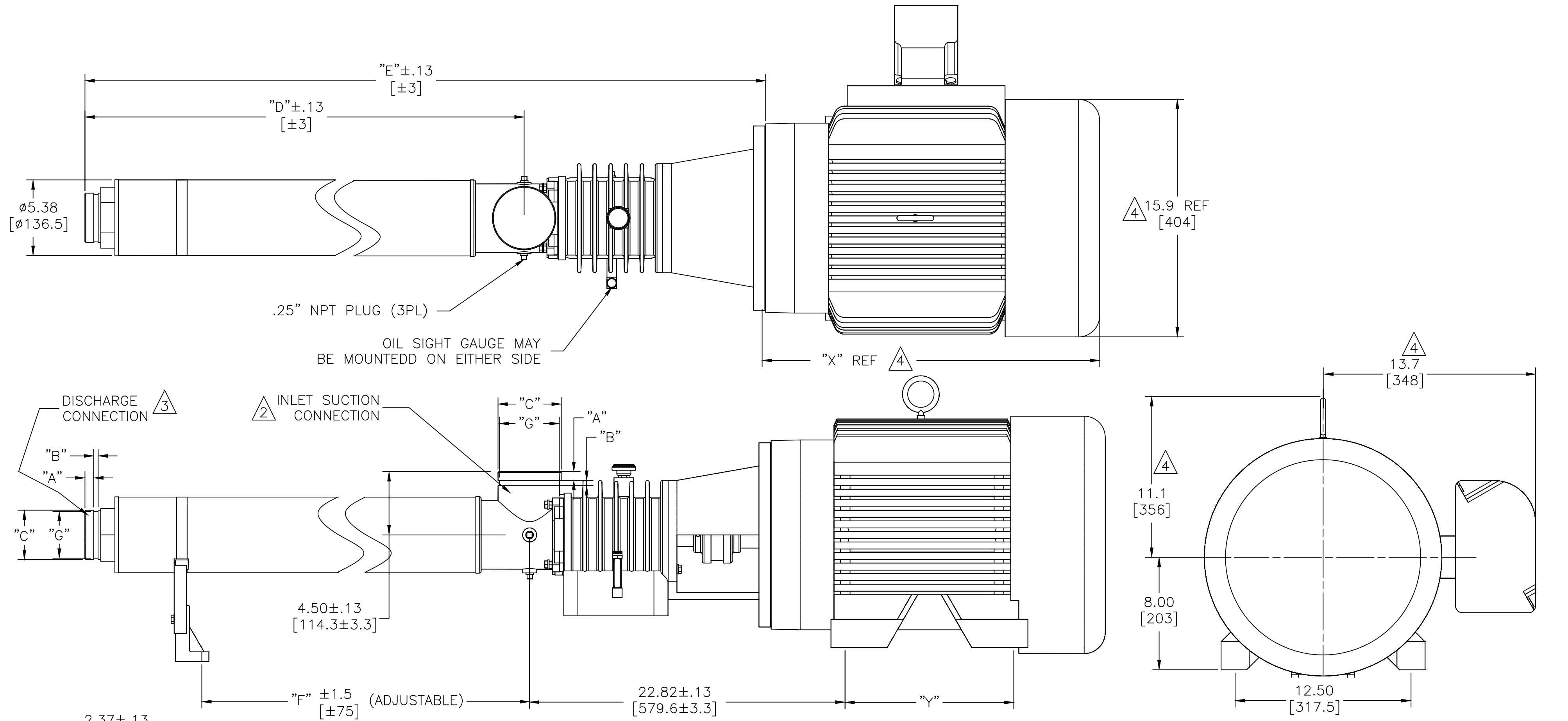


4

3

2

1



.25" NPT PLUG (3PL)

OIL SIGHT GAUGE MAY BE MOUNTED ON EITHER SIDE

DISCHARGE CONNECTION

INLET SUCTION CONNECTION

"B"
"A"

"C"
"G"
"A"
"B"

4.50±.13
[114.3±3.3]

"F" ±1.5
[±75] (ADJUSTABLE)

22.82±.13
[579.6±3.3]

"Y"

11.1
[356]

8.00
[203]

13.7
[348]

12.50
[317.5]

2.37±.13
[60.3±3.3]

3.000±.015
[76.20±.38]

4.50±.13
[114.4±3.3]

ø.406±.010(2PL)
[ø10.31±.25]

MODELS		"D"		"E"		"F"	
60HZ	50HZ	INCHES	[MM]	INCHES	[MM]	INCHES	[MM]
SS24006KE		33.28	845	50.57	1284	27.28	692
SS24007KE	SS24007KE	39.13	993	56.42	1433	33.13	841
SS24008KE		41.88	1063	59.17	1502	35.88	911
SS24009KE	SS24009KE	47.71	1211	65.00	1651	41.71	1059
	SS24011KE	56.31	1430	73.60	1869	50.31	1277

VICTAULIC® DIMENSIONS STANDARD 3" DISCHARGE CONNECTIONS		
ITEM	INCHES	MILLIMETERS
"A"	.625±.031	15.88±.78
"B"	.312±.031	7.94±.78
"C"	3.500±.031	88.90±.78
"G"	3.344 ^{+.000} _{-.018}	84.94 ^{+.00} _{-.46}

VICTAULIC® DIMENSIONS STANDARD 4" INLET CONNECTIONS		
ITEM	INCHES	MILLIMETERS
"A"	.625±.031	15.88±.78
"B"	.375±.031	9.53±.78
"C"	4.500±.031	114.30±.78
"G"	4.334 ^{+.000} _{-.020}	110.08 ^{+.00} _{-.51}

MOTOR SIZE	"X"		"Y"	
	INCHES	[MM]	INCHES	[MM]
324TSC	23.82	605	10.50	266
326TSC	25.32	643	12.00	304

- NOTES:
- DIMENSIONS ARE IN INCHES [MILLIMETERS].
 - PUMP INLET CONNECTIONS MATE WITH 4-INCH VICTAULIC TYPE CLAMPED UNIONS PUMP INLET MAY BE ROTATED IN 90° INCREMENTS.
 - PUMP DISCHARGE CONNECTIONS MATE WITH 3-INCH VICTAULIC TYPE CLAMPED UNION
 - TEFC MARATHON 324TSC MOTOR SHOWN, MOTOR DIMENSIONS WILL VARY WITH MANUFACTURER AND ARE SHOWN FOR REFERENCE ONLY.
 - PUMP AND MOTOR ADAPTER WILL ACCEPT NEMA 324/326TSC FRAMES 3450 RPM ELECTRIC MOTOR AND A WOODS FLEXIBLE COUPLING WITH THE END OF THE PUMP DRIVE SHAFT.
 - THE 324/326TSC FRAME MOTORS MUST HAVE A BASE AND BE RIGIDLY MOUNTED. MOUNTING OF BEARING FRAME BASE IN A STRAIN-FREE MANNER IS OPTIONAL WITH 324/326TSC FRAME MOTORS.
 - SEE PUMP INSTRUCTIONS P/N 1125314 FOR ADDITIONAL INFORMATION ON INSTALLATION, STARTUP, AND MAINTENANCE.

C SUEZ REBRANDING B REDRAWN ON ACAD A RELEASED PER ECO		131562 VE SR MS 20 Sep 18 3334 PFM MJT 23 Jun 98 1743 CBH EMW 27 Jun 96	ECO DWN APPR APPR DATE	TOLERANCES UNLESS NOTED DECIMALS ANGLES .X .1 2" .XX .03 FRAC		CUSTOMER INFORMATION	DWG, TF, OUTLINE SS24000KE, 324/326TSC NEMA MOTOR	DRAWING NUMBER 1125323	REVISION C
PROJECT NO.		PART/MATERIAL NO.	SCALE 3/16" = 1"	SIZE C	SHEET 1 OF 1	REF.:- DOC. OWNER:			

4

3

2

1