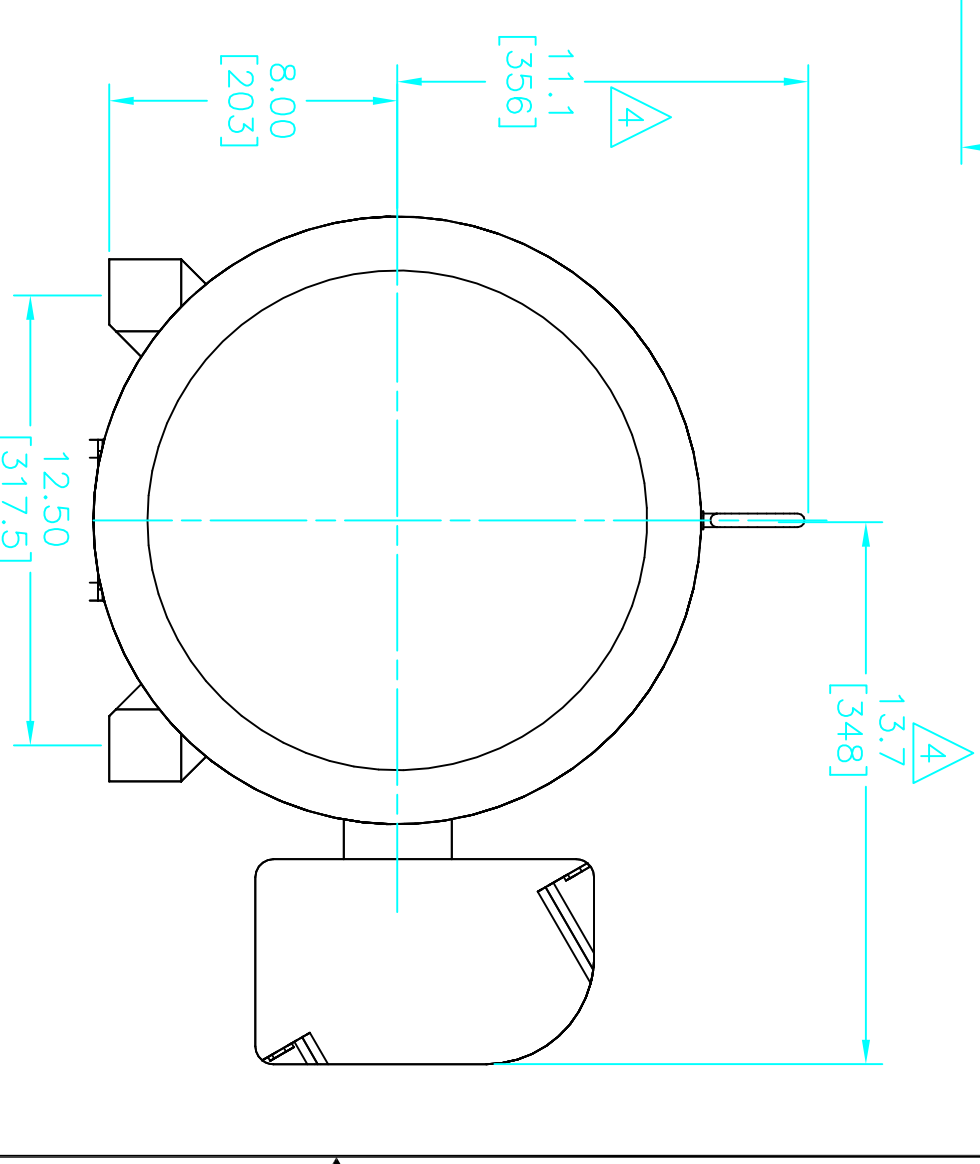
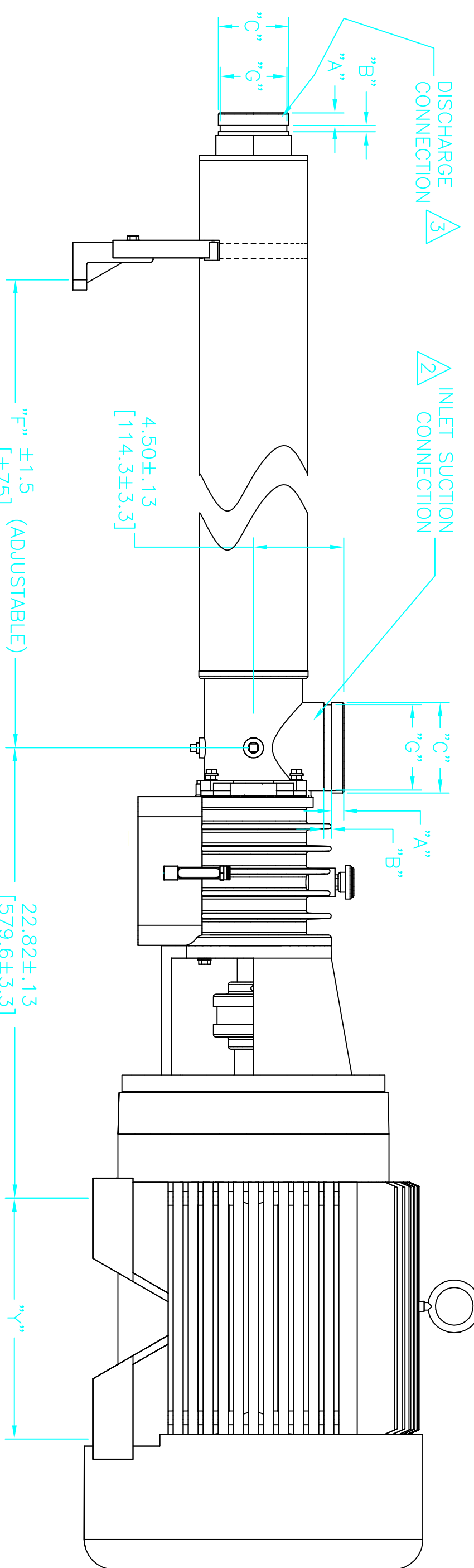
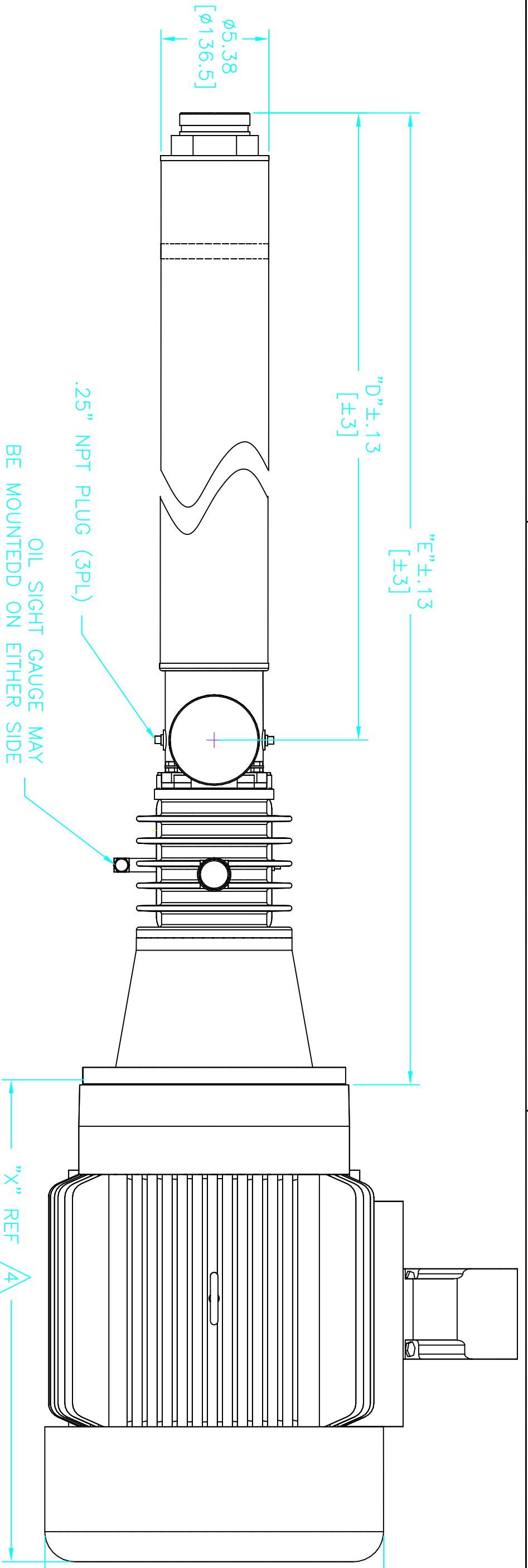


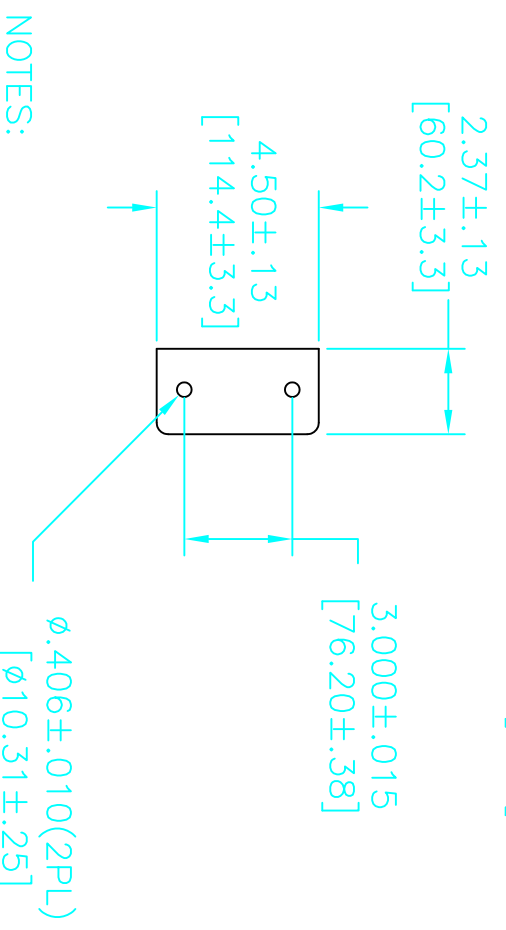
REVISION HISTORY						
REV	ZONE	DESCRIPTION	ECO	DWN	DATE	APVD
A	-	RELEASED PER ECO	1743	GBH	27Jun96	EMW
B	-	REDRAWN ON ACAD	3334	PLM	23Jun98	



MODELS	60HZ	50HZ	"D"		"E"		"F"	
			INCHES	[MM]	INCHES	[MM]	INCHES	[MM]
SS24006KE			33.28	845	50.57	1284	27.28	692
SS24007KE			39.13	993	56.42	1433	33.13	841
SS24008KE			41.88	1063	59.17	1502	35.88	911
SS24009KE			47.71	1211	65.00	1651	41.71	1059
SS24011KE			56.31	1430	73.60	1869	50.31	1277

VICTAULIC® DIMENSIONS STANDARD 3"				VICTAULIC® DIMENSIONS STANDARD 4"				
ITEM	INCHES	MILLIMETERS	ITEM	INCHES	MILLIMETERS	ITEM	INCHES	MILLIMETERS
"A"	.625±.031	15.88±.78	"A"	.625±.031	15.88±.78	"A"	.625±.031	15.88±.78
"B"	.312±.031	7.94±.78	"B"	.375±.031	9.53±.78	"B"	.375±.031	9.53±.78
"C"	3.500±.031	88.90±.78	"C"	4.500±.031	114.30±.78	"C"	4.500±.031	114.30±.78
"G"	3.344±.000	84.94±.00	"G"	4.334±.000	110.08±.00	"G"	4.334±.000	110.08±.00

MOTOR SIZE				
	INCHES	[MM]	INCHES	[MM]
324TSC	23.82	605	10.50	266
326TSC	25.32	643	12.00	304



NOTES:

- DIMENSIONS ARE IN INCHES [MILLIMETERS].
- PUMP INLET CONNECTIONS MATE WITH 4-INCH VICTAULIC TYPE CLAMPED UNIONS
- PUMP INLET MAY BE ROTATED IN 90° INCREMENTS.
- PUMP DISCHARGE CONNECTIONS MATE WITH 3-INCH VICTAULIC TYPE CLAMPED UNION
- TEFC MARATHON 324TSC MOTOR SHOWN, MOTOR DIMENSIONS WILL VARY WITH MANUFACTURER AND ARE SHOWN FOR REFERENCE ONLY.
- PUMP AND MOTOR ADAPTER WILL ACCEPT NEMA 324/326TSC FRAMES 3450 RPM ELECTRIC MOTOR AND A WOODS FLEXIBLE COUPLING WITH THE END OF THE PUMP DRIVE SHAFT.
- THE 324/326TSC FRAME MOTORS MUST HAVE A BASE AND BE RIGIDLY MOUNTED. MOUNTING OF BEARING FRAME BASE IN A STRAIN-FREE MANNER IS OPTIONAL WITH 324/326TSC FRAME MOTORS.
- SEE PUMP INSTRUCTIONS P/N 1125314 FOR ADDITIONAL INFORMATION ON INSTALLATION, STARTUP, AND MAINTENANCE.

A

B

C

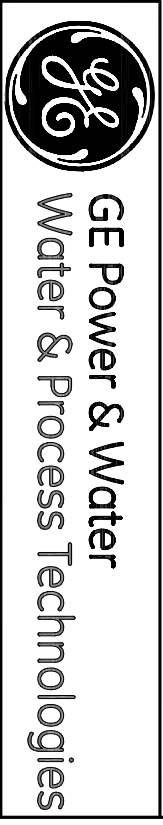
D

4

3

2

1



DWG, TF, OUTLINE

SS24000KE, 324/326TSC NEMA MOTOR

NOTICE ON REPRODUCTIONS		TITLE	
THIS DRAWING IS THE PROPERTY OF GE POWER & WATER. IT IS TO BE USED FOR THE PROJECT AND NOT TO BE REPRODUCED, COPIED, LOANED, REPRODUCED, OR TRANSMITTED IN ANY FORM OR BY ANY MEANS, WITHOUT THE WRITTEN CONSENT OF GE POWER & WATER.		SS24000KE, 324/326TSC NEMA MOTOR	
FINISH	FRAC	DATE	SCALE
XXX ± .03	XXX ± .010	22Jun95	3/16" = 1"
ORDER NO.	DWN	DATE	SCALE
W0G	JWA	20Jun95	3/16" = 1"
CUSTOMER	CHKD	DATE	SCALE
WRJ	WRJ	20Jun95	3/16" = 1"
CUSTOMER LOC.	APVD	DATE	SCALE
APVD	APVD	DATE	SCALE