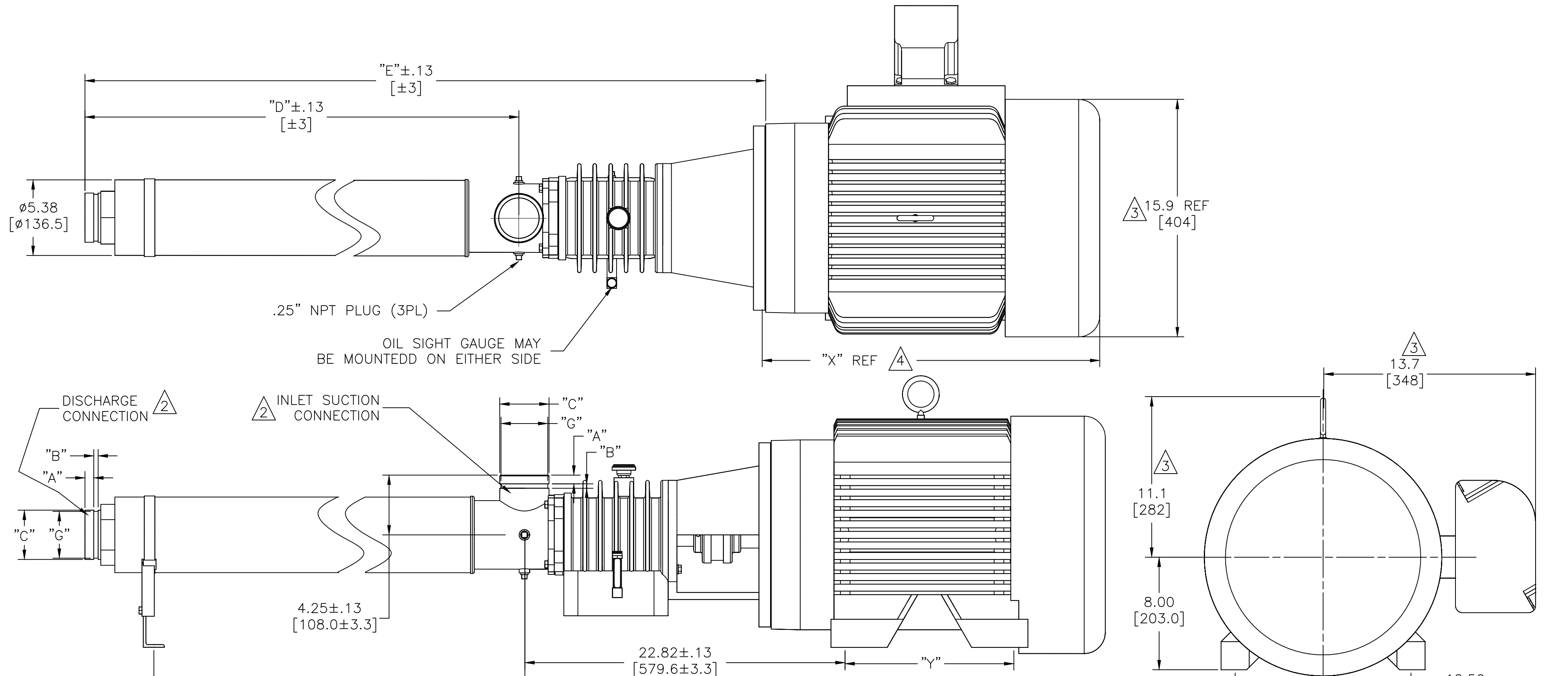


4

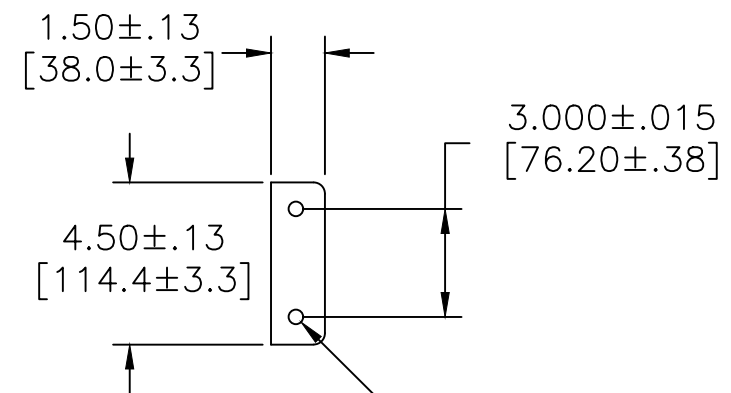
3

2

1



"F" ±1.5 [±75] (ADJUSTABLE)



NOTES: ø.406±.010(2PL) [ø10.31±.25]

1. DIMENSIONS ARE IN INCHES [MILLIMETERS].
2. PUMP INLET AND DISCHARGE CONNECTIONS MATE WITH 3-INCH VICTAULIC TYPE CLAMPED UNIONS. PUMP INLET MAY BE ROTATED IN 90° INCREMENTS.
3. TEFC MARATHON 324TSC MOTOR SHOWN, MOTOR DIMENSIONS WILL VARY WITH MANUFACTURER AND ARE SHOWN FOR REFERENCE ONLY.
4. PUMP AND MOTOR ADAPTER WILL ACCEPT NEMA 324/326TSC FRAMES 3450 RPM ELECTRIC MOTOR AND A WOODS FLEXIBLE COUPLING WITH THE END OF THE PUMP DRIVE SHAFT. THE 324/326TSC FRAME MOTORS MUST HAVE A BASE AND BE RIGIDLY MOUNTED. MOUNTING OF BEARING FRAME BASE IN A STRAIN-FREE MANNER IS OPTIONAL WITH 324/326TSC FRAME MOTORS.
5. SEE PUMP INSTRUCTIONS P/N 1125314 FOR ADDITIONAL INFORMATION ON INSTALLATION, STARTUP, AND MAINTENANCE.

MODELS		"D"		"E"		"F"	
		INCHES	[MM]	INCHES	[MM]	INCHES	[MM]
60HZ	50HZ						
SS8522KE		54.58	1386	71.87	1825	48.58	1233
SS8524KE		58.53	1486	75.82	1925	52.53	1334
SS8527KE		64.44	1636	81.73	2075	58.44	1484
	SS8533KE	76.26	1937	93.55	2376	70.26	1784
	SS8536KE	84.80	2153	102.09	2593	78.80	2001
SS12512KE		47.79	1213	65.08	1653	41.79	1061
	SS12516KE	59.97	1523	77.26	1962	53.97	1370
	SS12519KE	69.11	1755	86.40	2194	63.11	1602
	SS12522KE	80.88	2054	98.17	2494	79.15	2010
	SS12527KE	96.10	2440	113.39	2880	91.01	2313

VICTAULIC® DIMENSIONS STANDARD 3" CONNECTIONS		
ITEM	INCHES	MILLIMETERS
"A"	.625±.031	15.88±.78
"B"	.312±.031	7.94±.78
"C"	3.500±.031	88.90±.78
"G"	3.344 <sup>+.000</sup> <sub>-.018</sub>	84.94 <sup>+.00</sup> <sub>-.46</sub>

MOTOR SIZE	"X"		"Y"	
	INCHES	[MM]	INCHES	[MM]
324TSC	25.88	657	10.50	267
326TSC	26.88	682	12.00	305

REV	DESCRIPTION	ECO	DWN	APPR	DATE	
C	SUEZ REBRANDING	131562	TG	SR	MS	20 Sep 18
B	REDRAWN ON ACAD	3334	PFM	MJT	-	23 Jun 98
A	RELEASED PER ECO	1743	CBH	EMW	-	27 Jun 96

TOLERANCES UNLESS NOTED	
DECIMALS	ANGLES
.X .1	2°
.XX .03	FRAC
.XXX .010	



CUSTOMER INFORMATION

DWG, TF, OUTLINE, SS8500/  
12500KE, 324/326TSC NEMA MOTORS

DRAWING NUMBER		REVISION
1125322		C
PROJECT NO.	PART/MATERIAL NO.	SCALE
		3/16" = 1"
		SIZE
		C
		SHEET
		1 OF 1

4

3

2

1