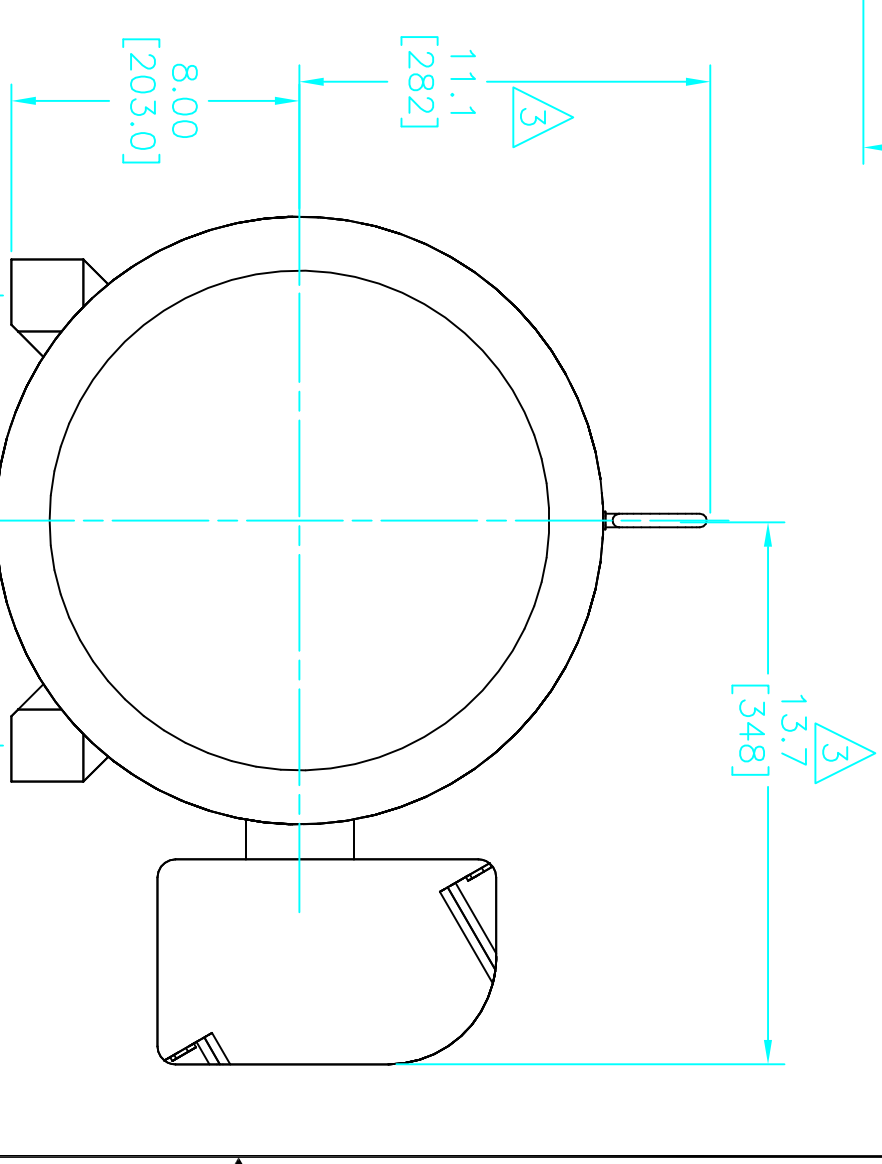
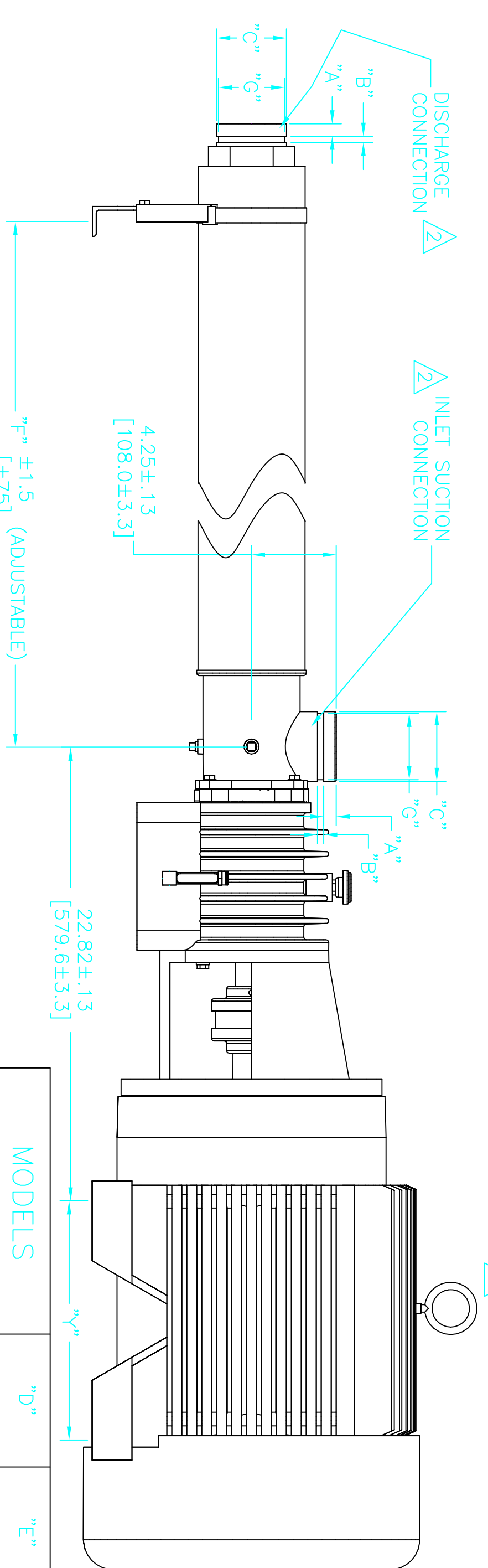
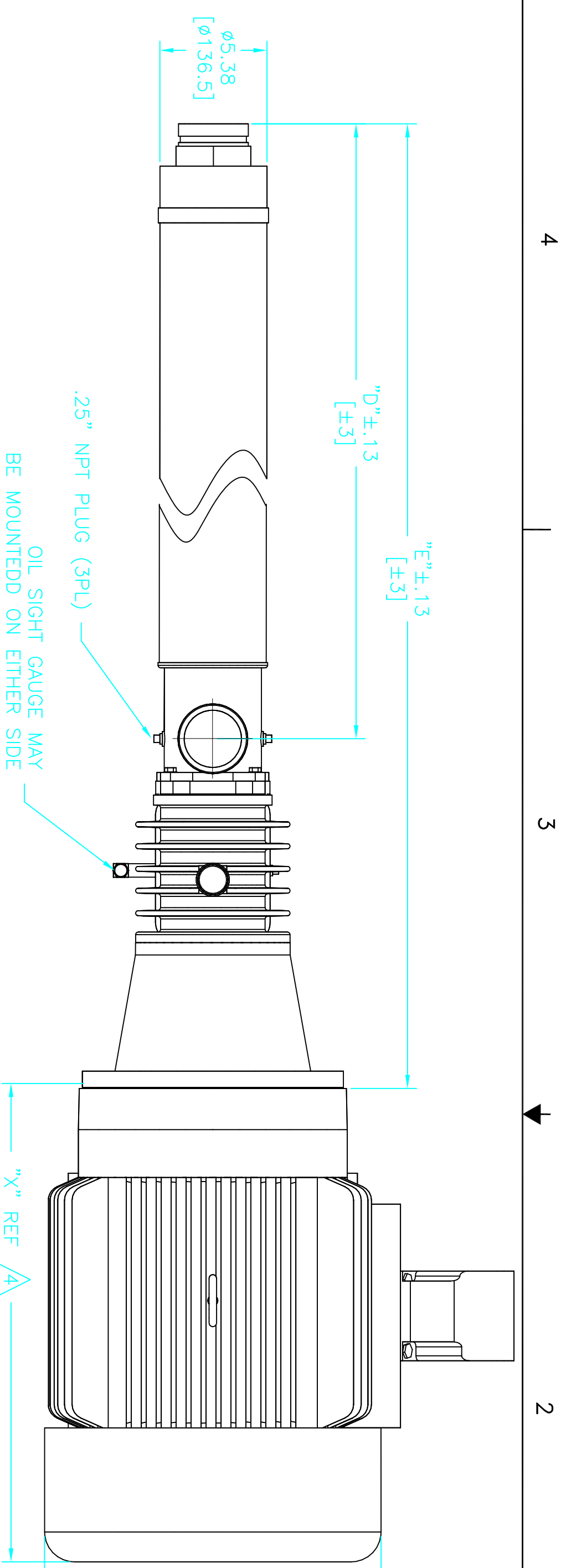


REVISION HISTORY						
REV	ZONE	DESCRIPTION	ECO	DWN	DATE	APVD
A	-	RELEASED PER ECO	1743	CBH	27Jun96	EMW
B	-	REDRAWN ON ACAD	3334	PFM	23Jun98	



MODELS		"D"	"E"	"F"
60HZ	50HZ	INCHES [MM]	INCHES [MM]	INCHES [MM]
SS8522KE		54.58	1386	71.87
SS8524KE		58.53	1486	75.82
SS8527KE		64.44	1636	81.73
	SS8533KE	76.26	1937	93.55
	SS8536KE	84.80	2153	102.09
	SS12512KE	47.79	1213	65.08
	SS12516KE	59.97	1523	77.26
	SS12519KE	69.11	1755	86.40
	SS12522KE	80.88	2054	98.17
	SS12527KE	96.10	2440	113.39

ITEM	INCHES	MILLIMETERS
"A"	.625±.031	15.88±.78
"B"	.312±.031	7.94±.78
"C"	3.500±.031	88.90±.78
"G"	3.344 ^{+ .000} _{-.018}	84.94 ^{+ .00} _{-.46}

MOTOR SIZE		"X"	"Y"
		INCHES [MM]	INCHES [MM]
324TSC		25.88	657
326TSC		26.88	682

- NOTES:
- DIMENSIONS ARE IN INCHES [MILLIMETERS].
 - PUMP INLET AND DISCHARGE CONNECTIONS MATE WITH 3-INCH VICTAULIC TYPE CLAMPED UNIONS.
 - PUMP INLET MAY BE ROTATED IN 90° INCREMENTS.
 - TEFC MARATHON 324TSC MOTOR SHOWN, MOTOR DIMENSIONS WILL VARY WITH MANUFACTURER AND ARE SHOWN FOR REFERENCE ONLY.
 - PUMP AND MOTOR ADAPTER WILL ACCEPT NEMA 324/326TSC FRAMES 3450 RPM ELECTRIC MOTOR AND A WOODS FLEXIBLE COUPLING WITH THE END OF THE PUMP DRIVE SHAFT. THE 324/326TSC FRAME MOTORS MUST HAVE A BASE AND BE RIGIDLY MOUNTED. MOUNTING OF BEARING FRAME BASE IN A STRAIN-FREE MANNER IS OPTIONAL WITH 324/326TSC FRAME MOTORS.
 - SEE PUMP INSTRUCTIONS P/N 1125314 FOR ADDITIONAL INFORMATION ON INSTALLATION, STARTUP, AND MAINTENANCE.

GE Power & Water
Water & Process Technologies

NOTICE ON REPRODUCTIONS: THE PROPERTY OF GE POWER & WATER THEY ARE LOANED MERELY AND ON THE BORROWER'S EXPRESS AGREEMENT THAT THEY WILL NOT BE REPRODUCED, COPIED, LOANED, REPRODUCED, EITHER WHOLLY OR IN PART, OR UNDER ANY NAME, WITHOUT THE WRITTEN CONSENT OF GE POWER & WATER.

FINISH: XXX ± .03
MATERIAL: FRAC TOLERANCES UNLESS NOTED
DO NOT SCALE

ORDER NO. JWA DATE 22Nov95
CUSTOMER WOG DATE 20Jun95
CUSTOMER LOC. WRJ DATE 20Jun95
DO NOT SCALE APVD DATE

TITLE: DWG, TF, OUTLINE, SS8500/
12500KE, 324/326TSC NEMA MOTORS
SIZE: C THIRD ANGLE
SCALE: 3/16" = 1"
DWG NO/PN: 1125322
FILE TYPE: ACAD SHEET 1 OF 1