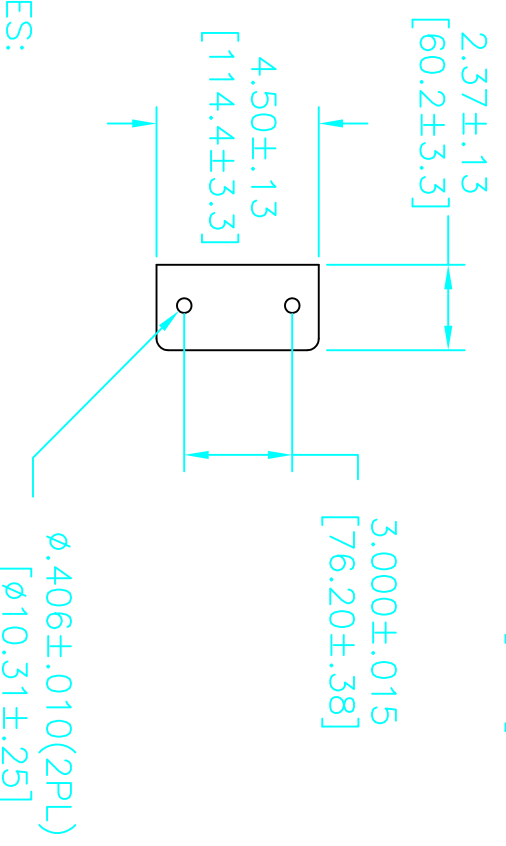
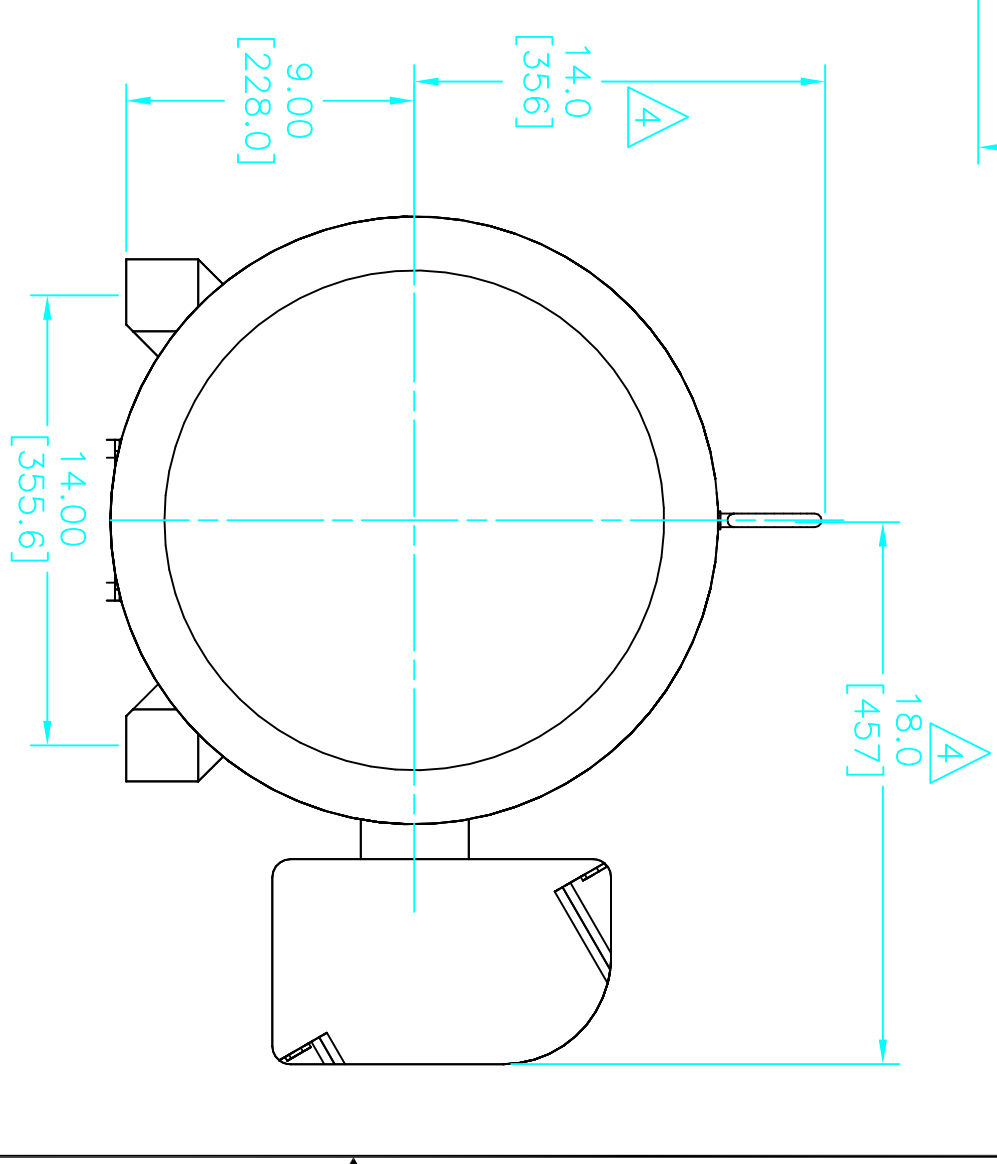
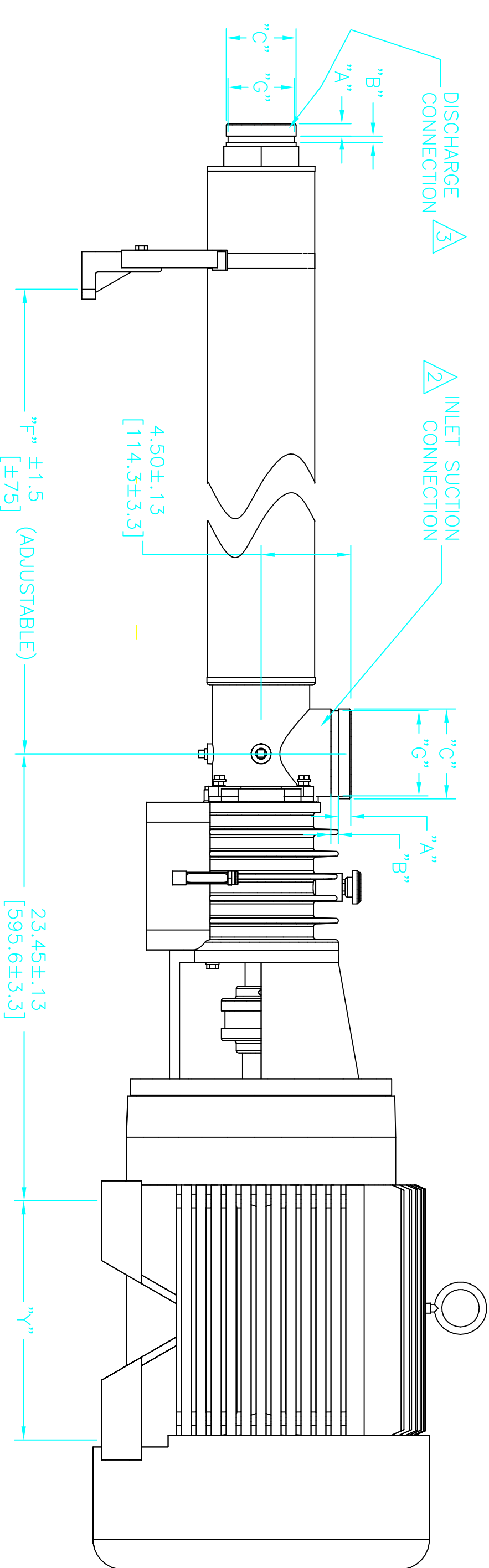
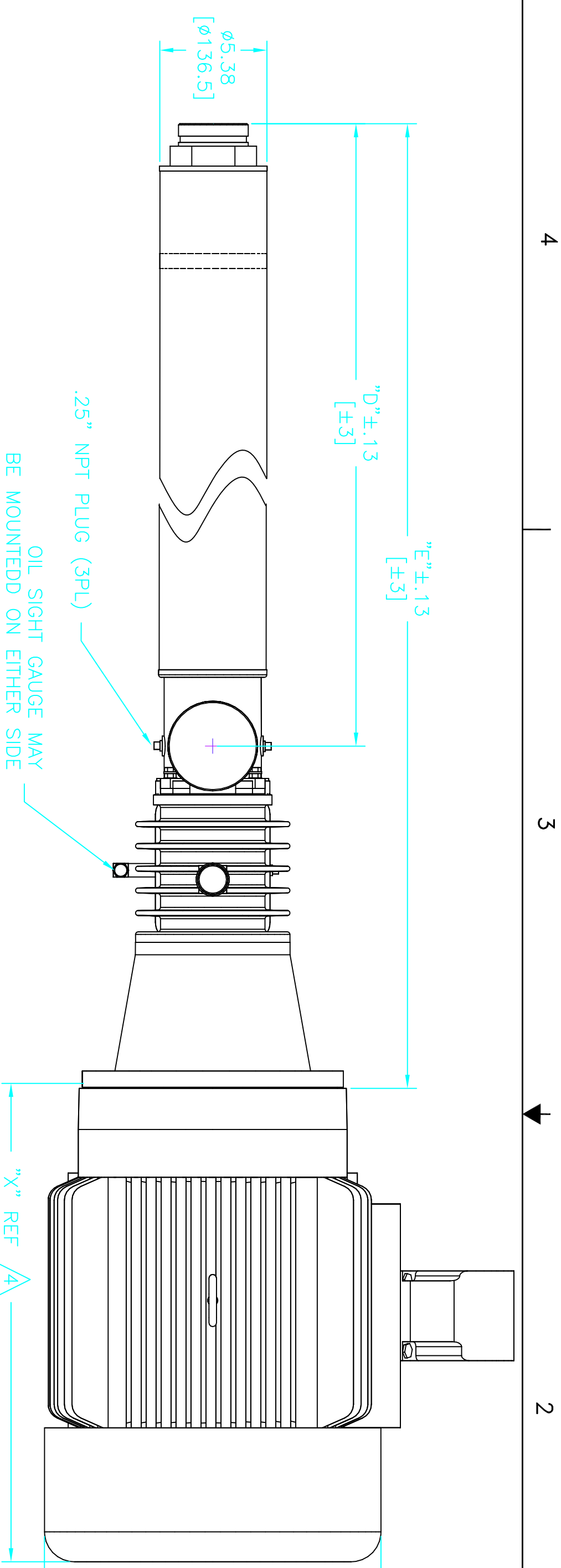


REVISION HISTORY						
REV	ZONE	DESCRIPTION	ECO	DWN	DATE	APVD
A	-	RELEASED PER ECO	1743	CBH	27Jun96	EMW
B	-	REDRAWN ON ACAD	3334	PFM	23Jun98	



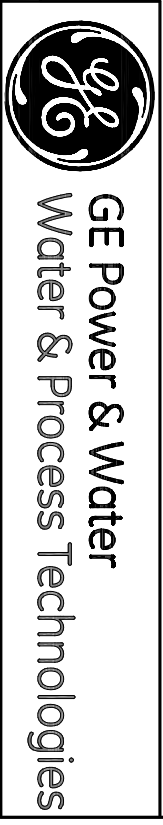
MODELS					
60HZ	50HZ	INCHES	[MM]	INCHES	[MM]
SS24009KE		47.71	1211	65.00	1651
SS24011KE		56.31	1430	73.60	1869
SS24012KE		60.61	1539	77.90	1979
SS24013KE		66.46	1688	83.75	2127
SS24016KE		79.34	2015	96.63	2454
SS24018KE		87.88	2232	105.17	2671

VICTAULIC® DIMENSIONS STANDARD 3"				VICTAULIC® DIMENSIONS STANDARD 4"			
ITEM	INCHES	MILLIMETERS	ITEM	INCHES	MILLIMETERS	ITEM	INCHES
"A"	.625 ±.031	15.88 ±.78	"A"	.625 ±.031	15.88 ±.78	"A"	.625 ±.031
"B"	.312 ±.031	7.94 ±.78	"B"	.375 ±.031	9.53 ±.78	"B"	.375 ±.031
"C"	3.500 ±.031	88.90 ±.78	"C"	4.500 ±.031	114.30 ±.78	"C"	4.500 ±.031
"G"	3.344 ±.018	84.94 ±.00	"G"	4.334 ±.020	110.08 ±.51	"G"	4.334 ±.020

MOTOR SIZE			
INCHES	[MM]	INCHES	[MM]
364TSC	25.88	657	11.25
365TSC	26.88	682	12.25
			311

NOTES:			
1.	DIMENSIONS ARE IN INCHES [MILLIMETERS].		
2.	PUMP INLET CONNECTIONS MATE WITH 4-INCH VICTAULIC TYPE CLAMPED UNIONS		
3.	PUMP INLET MAY BE ROTATED IN 90° INCREMENTS.		
4.	PUMP DISCHARGE CONNECTIONS MATE WITH 3-INCH VICTAULIC TYPE CLAMPED UNION		
5.	TEFC MARATHON 364TSC MOTOR SHOWN, MOTOR DIMENSIONS WILL VARY WITH MANUFACTURER AND ARE SHOWN FOR REFERENCE ONLY.		
6.	PUMP AND MOTOR ADAPTER WILL ACCEPT NEMA 364/365TSC FRAMES 3450 RPM ELECTRIC MOTOR AND A WOODS FLEXIBLE COUPLING WITH THE END OF THE PUMP DRIVE SHAFT.		

1. DIMENSIONS ARE IN INCHES [MILLIMETERS].
2. PUMP INLET CONNECTIONS MATE WITH 4-INCH VICTAULIC TYPE CLAMPED UNIONS
3. PUMP INLET MAY BE ROTATED IN 90° INCREMENTS.
4. PUMP DISCHARGE CONNECTIONS MATE WITH 3-INCH VICTAULIC TYPE CLAMPED UNION
5. TEFC MARATHON 364TSC MOTOR SHOWN, MOTOR DIMENSIONS WILL VARY WITH MANUFACTURER AND ARE SHOWN FOR REFERENCE ONLY.
6. PUMP AND MOTOR ADAPTER WILL ACCEPT NEMA 364/365TSC FRAMES 3450 RPM ELECTRIC MOTOR AND A WOODS FLEXIBLE COUPLING WITH THE END OF THE PUMP DRIVE SHAFT.



NOTICE ON REPRODUCTIONS: THIS DRAWING, THE INFORMATION CONTAINED HEREIN, AND THE PROPERTY OF GE POWER & WATER THEY ARE LOANED MERELY AND ON THE BORROWER'S EXPRESS AGREEMENT THAT THEY WILL NOT BE REPRODUCED, COPIED, LOANED, RENTED, REPRODUCED, OR IN ANY MANNER BE MADE PUBLIC WITHOUT THE WRITTEN CONSENT OF GE POWER & WATER.

FINISH: .XX ±.03, .XXX ±.010

ORDER NO. \_\_\_\_\_ DATE: 12Apr95

CUSTOMER: \_\_\_\_\_ DATE: 20Jun95

CUSTOMER LOC. \_\_\_\_\_ DATE: 20Jun95

DO NOT SCALE

SCALE: 3/16" = 1"

FILE TYPE: ACAD

SHEET: 1 OF 1

DWG, TF, OUTLINE

SS24000KE, 364/365TSC NEMA MOTORS