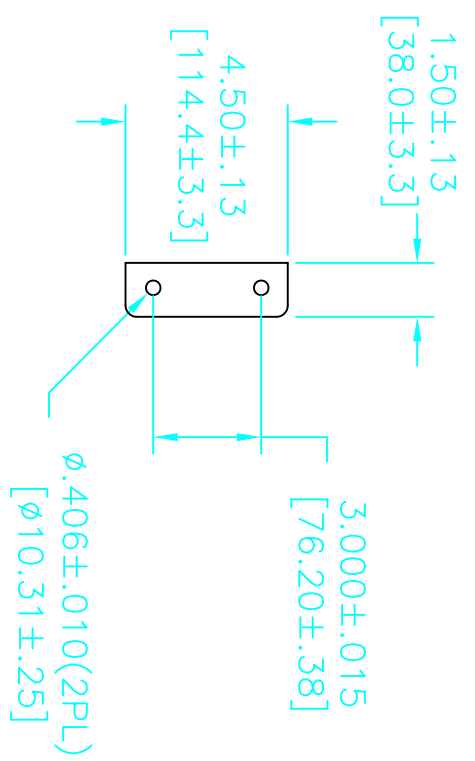
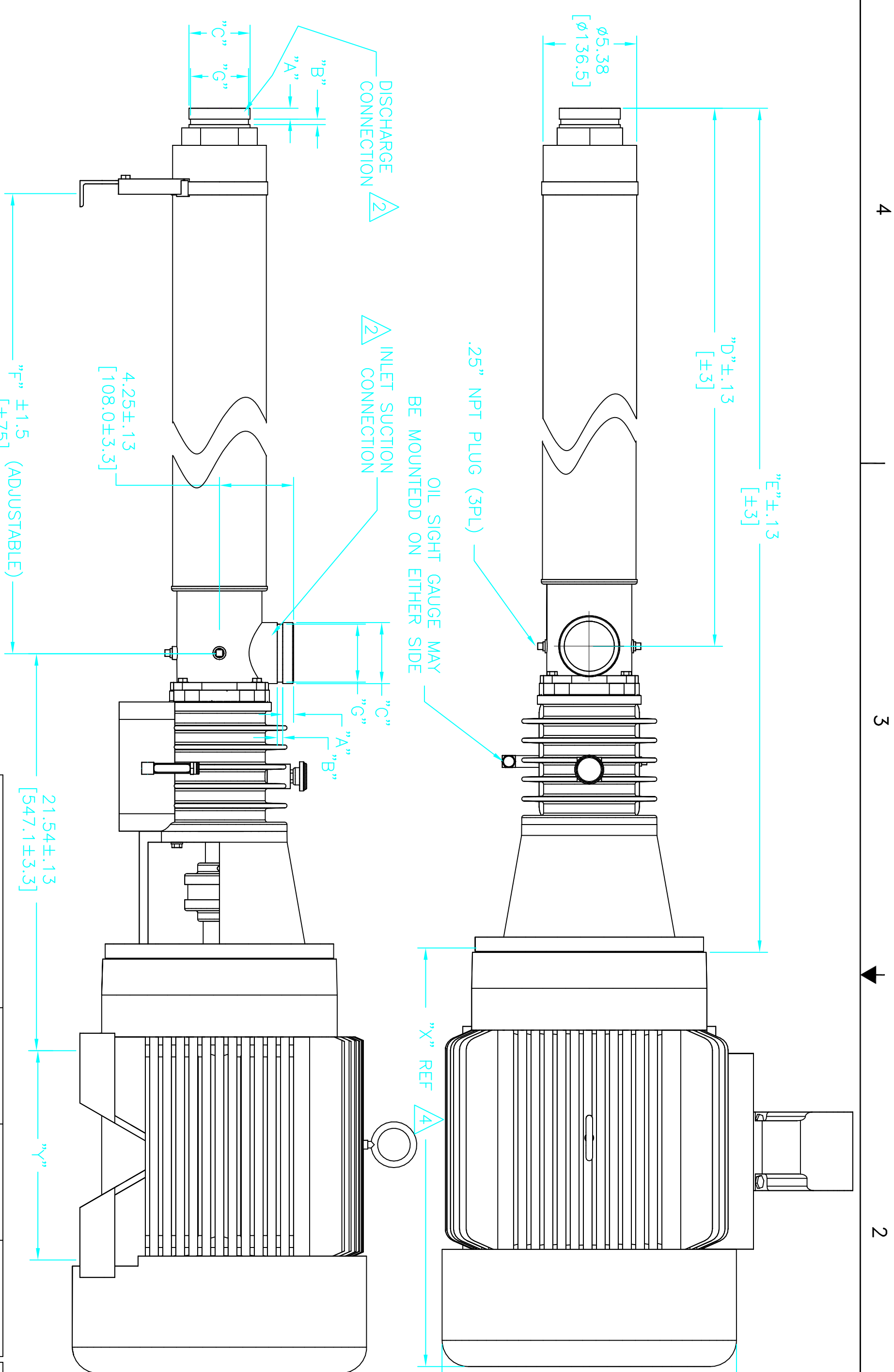


REVISION HISTORY						
REV	ZONE	DESCRIPTION	ECO	DWN	DATE	APVD
A	-	RELEASED PER ECO	1743	GBH	27Jun96	EMW
B	-	REDRAWN ON ACAD	3334	PFM	23Jun98	



VICTAULIC® DIMENSIONS STANDARD 3" CONNECTIONS		
ITEM	INCHES	MILLIMETERS
"A"	.625±.031	15.88±.78
"B"	.312±.031	7.94±.78
"C"	3.500±.031	88.90±.78
"G"	3.344 ^{+ .000} _{-.018}	84.94 ^{+ .00} _{-.46}

MODELS		"D"	"E"	"F"
60HZ	50HZ	INCHES [MM]	INCHES [MM]	INCHES [MM]
SS5522KC		54.58 1386	71.11 1806	48.58 1233
SS5524KC		58.53 1486	75.06 1906	52.53 1334
	SS5527KC	64.44 1636	80.97 2056	58.44 1484
	SS5530KC	70.35 1786	86.88 2206	64.35 1634
	SS5533KC	76.26 1937	92.79 2356	70.26 1784
	SS5536KC	84.80 2153	101.33 2573	78.80 2001
	SS8516KC	40.12 1019	56.65 1438	34.12 866
	SS8520KC	50.63 1286	67.16 1705	44.63 1133
	SS8522KC	54.58 1386	71.11 1806	48.58 1233
	SS8524KC	58.53 1486	75.06 1907	52.58 1334

MODELS		"D"	"E"	"F"
60HZ	50HZ	INCHES [MM]	INCHES [MM]	INCHES [MM]
SS8527KC		64.44 1636	80.97 2056	58.44 1484
SS8533KC		76.26 1937	92.79 2356	70.26 1784
	SS8536KC	84.80 2153	101.33 2573	78.80 2001
	SS12508KC	32.90 835	49.44 1255	26.90 683
	SS12509KC	36.00 914	52.53 1334	30.00 762
	SS12512KC	47.79 1213	64.32 1633	41.79 1061
	SS12516KC	59.97 1523	76.50 1943	53.97 1370

MOTOR SIZE		"X"	"Y"
		INCHES [MM]	INCHES [MM]
284TSC		25.88 657	9.50 241
286TSC		26.88 682	11.00 279

NOTES:

- DIMENSIONS ARE IN INCHES [MILLIMETERS].
- PUMP INLET AND DISCHARGE CONNECTIONS MATE WITH 3-INCH VICTAULIC TYPE CLAMPED UNIONS.
- PUMP INLET MAY BE ROTATED IN 90° INCREMENTS.
- TEFC MARATHON 284TSC MOTOR SHOWN, MOTOR DIMENSIONS WILL VARY WITH MANUFACTURER AND ARE SHOWN FOR REFERENCE ONLY.
- PUMP AND MOTOR ADAPTER WILL ACCEPT NEMA 284/286TSC FRAMES 3450 RPM ELECTRIC MOTOR AND A WOODS FLEXIBLE COUPLING WITH THE END OF THE PUMP DRIVE SHAFT.
- THE 284/286TSC FRAME MOTORS MUST HAVE A BASE AND BE RIGIDLY MOUNTED. MOUNTING OF BEARING FRAME BASE IN A STRAIN-FREE MANNER IS OPTIONAL WITH 284/286TSC FRAME MOTORS.
- SEE PUMP INSTRUCTIONS P/N 1125314 FOR ADDITIONAL INFORMATION ON INSTALLATION, STARTUP, AND MAINTENANCE.

GE Power & Water
Water & Process Technologies

ORDER NO.	DWN	JWA	DATE	12Apr95
CUSTOMER	CHKD	WOG	DATE	20Jun95
CUSTOMER LOC.	APVD	WRM	DATE	20Jun95
DO NOT SCALE	APVD	APVD	DATE	