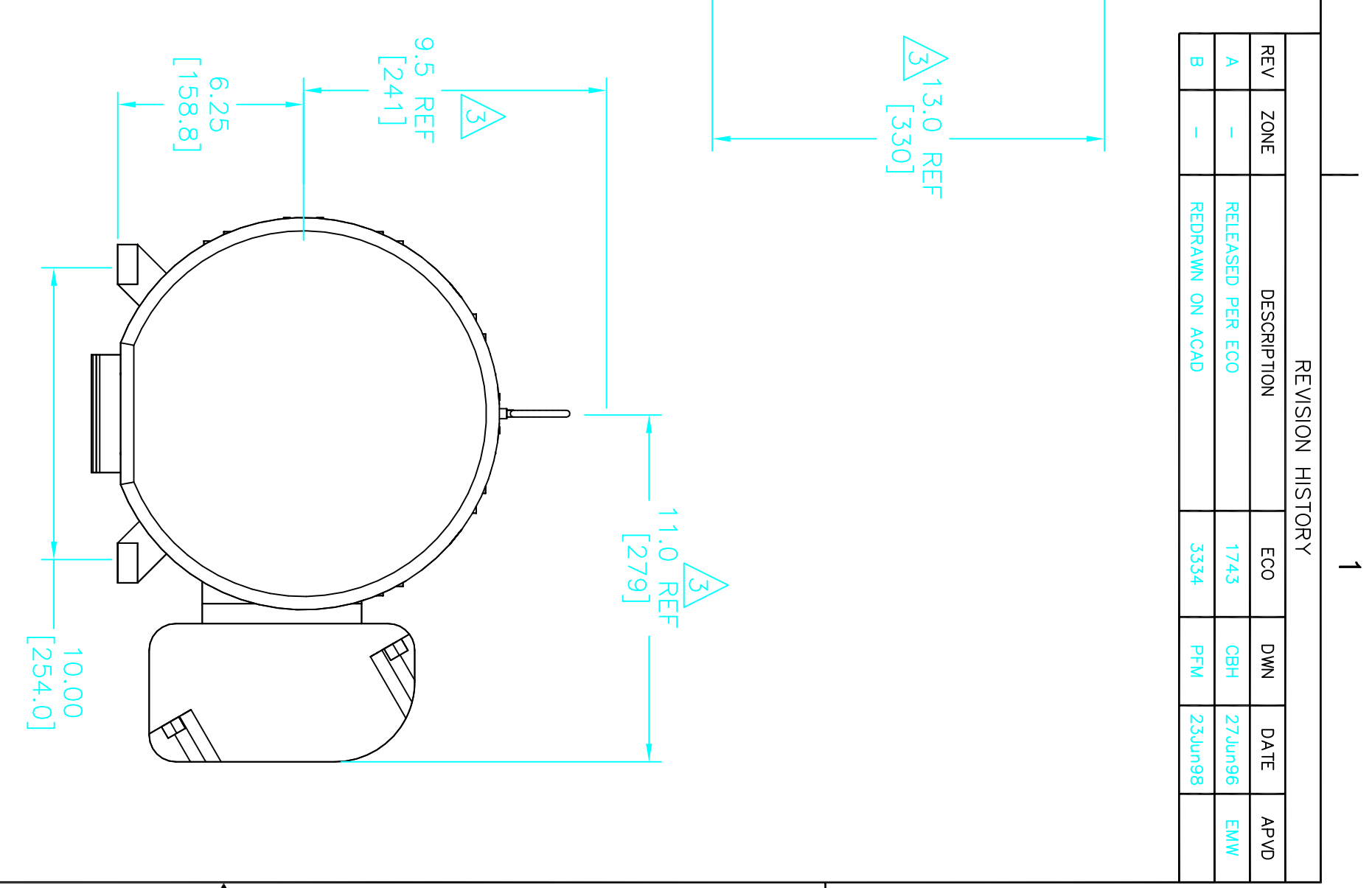
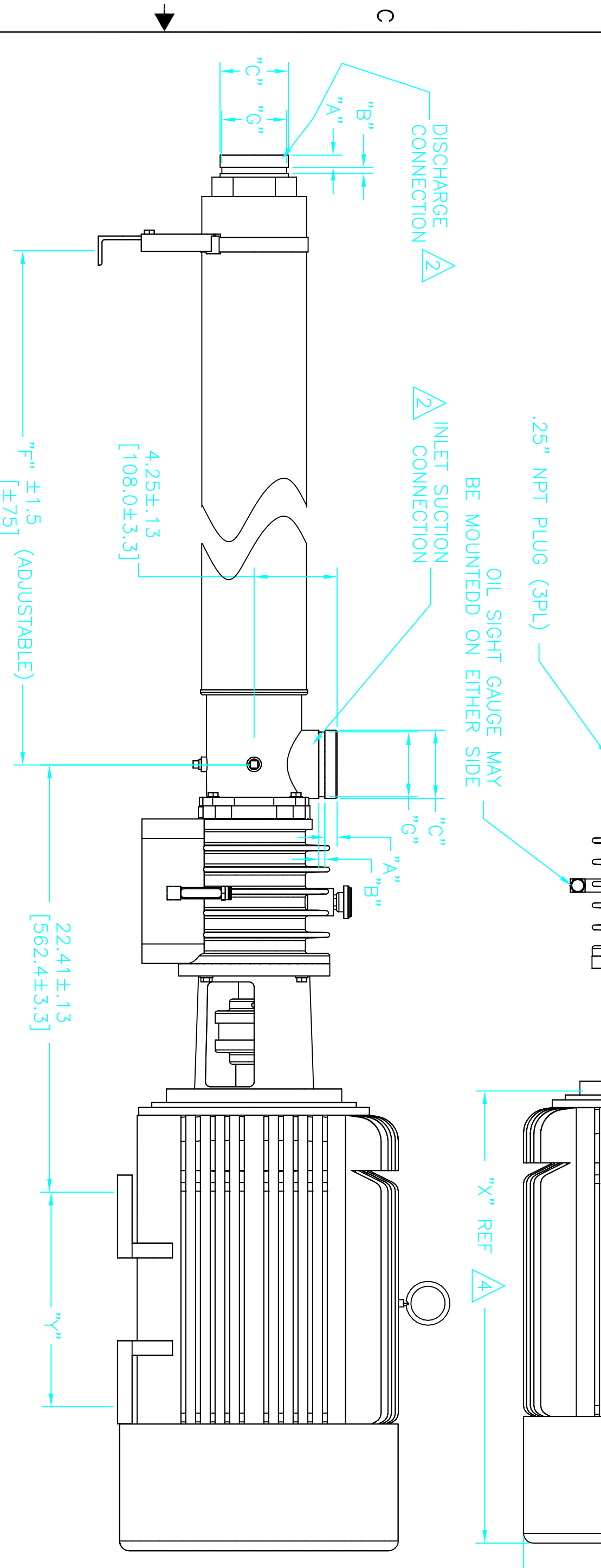
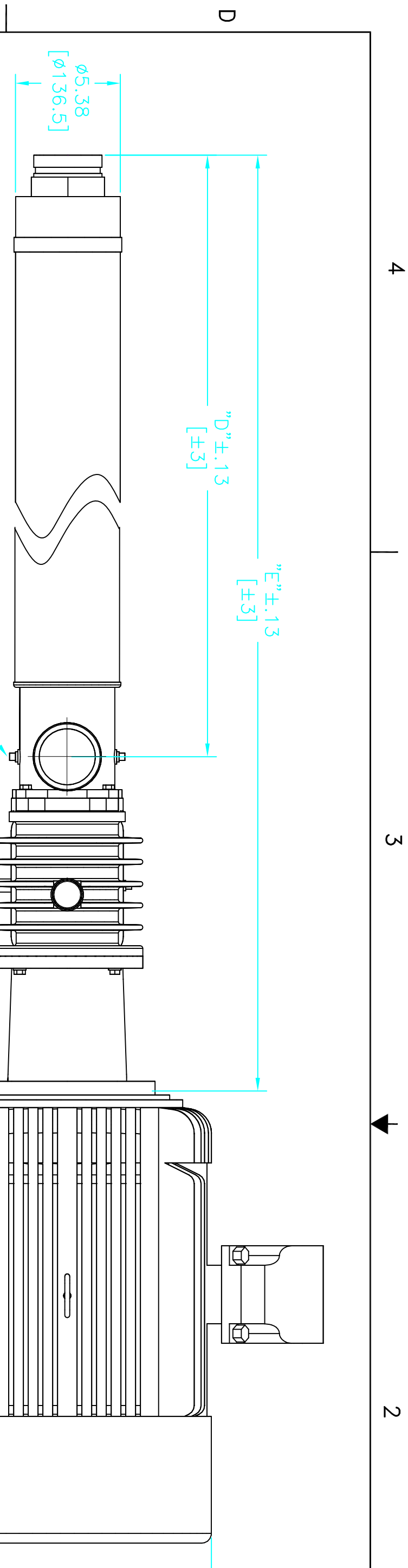
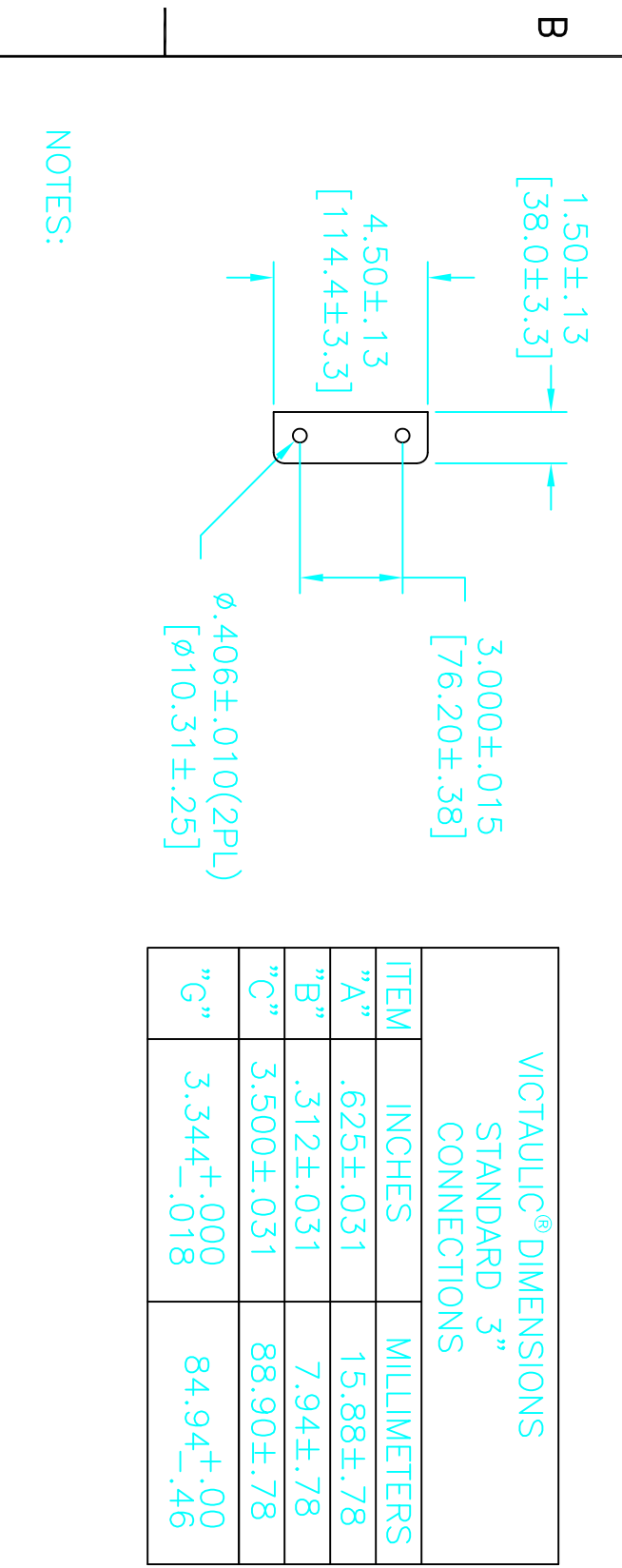


REVISION HISTORY						
REV	ZONE	DESCRIPTION	ECO	DWN	DATE	APVD
A	-	RELEASED PER ECO	1743	GBH	27Jun96	EMW
B	-	REDRAWN ON ACAD	3334	PLM	23Jun98	



VICTAULIC® DIMENSIONS  
STANDARD 3" CONNECTIONS

ITEM	INCHES	MILLIMETERS
"A"	.625 ±.031	15.88 ±.78
"B"	.312 ±.031	7.94 ±.78
"C"	3.500 ±.031	88.90 ±.78
"G"	3.344 ±.000 - .018	84.94 ±.00 - .46



MODELS

60HZ	50HZ	INCHES	[MM]	INCHES	[MM]	INCHES	[MM]
SS5512KB		32.24	818	49.38	1254	26.24	666
SS5516KB		40.12	1019	57.26	1554	34.12	866
SS5518KB		46.69	1185	63.83	1621	40.69	1033
SS5522KB		54.58	1386	71.72	1821	48.58	1233
	SS5524KB	58.53	1486	75.67	1922	52.53	1334
	SS5527KB	64.44	1636	81.58	2072	58.44	1484
	SS5530KB	70.35	1786	87.49	2222	64.35	1634
		28.30	718	45.44	1154	22.30	566
		32.24	818	49.38	1254	26.24	666
		40.12	1019	57.26	1454	34.12	866

MODELS

60HZ	50HZ	INCHES	[MM]	INCHES	[MM]	INCHES	[MM]
	SS8520KB	50.63	1286	67.77	1721	44.63	1133
	SS8522KB	54.58	1386	71.72	1821	48.58	1233
		32.90	835	50.04	1271	26.90	683
	SS12508KB	36.00	914	53.14	1349	30.00	762

NOTES:

- DIMENSIONS ARE IN INCHES [MILLIMETERS].
- PUMP INLET AND DISCHARGE CONNECTIONS MATE WITH 3-INCH VICTAULIC TYPE CLAMPED UNIONS
- PUMP INLET MAY BE ROTATED IN 90° INCREMENTS.
- TEFC MARATHON 254TC MOTOR SHOWN, MOTOR DIMENSIONS WILL VARY WITH MANUFACTURER AND ARE SHOWN FOR REFERENCE ONLY.
- PUMP AND MOTOR ADAPTER WILL ACCEPT NEMA 254/256TSC FRAMES 3450 RPM ELECTRIC MOTOR AND A WOODS FLEXIBLE COUPLING WITH THE END OF THE PUMP DRIVE SHAFT.
- THE 254/256TSC FRAME MOTORS MUST HAVE A BASE AND BE RIGIDLY MOUNTED. MOUNTING OF BEARING FRAME BASE IN A STRAIN-FREE MANNER IS OPTIONAL WITH 254/256TSC FRAME MOTORS.
- SEE PUMP INSTRUCTIONS P/N 1125314 FOR ADDITIONAL INFORMATION ON INSTALLATION, STARTUP, AND MAINTENANCE.

NOTICE ON REPRODUCTIONS: THE PROPERTY OF GE POWER & WATER THEY ARE LOANED MERELY AND ON THE BORROWER'S EXPRESS AGREEMENT THAT THEY WILL NOT BE REPRODUCED, COPIED, LOANED, REPRODUCED, OR TRANSMITTED IN ANY MANNER WITHOUT THE WRITTEN CONSENT OF GE POWER & WATER.

NOTICE ON REPRODUCTIONS: THE PROPERTY OF GE POWER & WATER THEY ARE LOANED MERELY AND ON THE BORROWER'S EXPRESS AGREEMENT THAT THEY WILL NOT BE REPRODUCED, COPIED, LOANED, REPRODUCED, OR TRANSMITTED IN ANY MANNER WITHOUT THE WRITTEN CONSENT OF GE POWER & WATER.

TOLERANCES UNLESS NOTED:

FINISH	±	DECIMALS	ANGLES
	.X ± .1		± 2°
	.XX ± .03		
	.XXX ± .010		

**GE Power & Water**  
Water & Process Technologies

DWG, TF, OUTLINE, SS5500/8500/  
12500KB, 254/256TSC NEMA MOTORS

ORDER NO.	DWN	DATE	12Apr95	SIZE	DWG NO/PN	REV
CUSTOMER	CHKD	WGC	DATE	20Jun95	1125286	B
CUSTOMER LOC.	APVD	WRM	DATE	20Jun95	1125286	B
DO NOT SCALE	APVD	APVD	DATE		ACAD	B