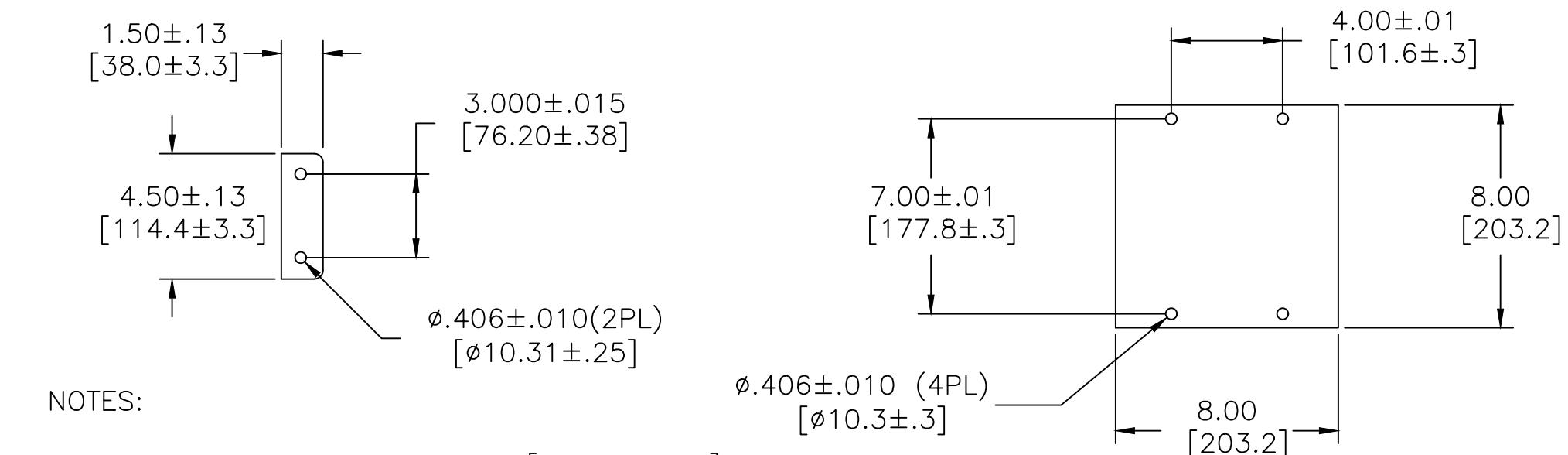
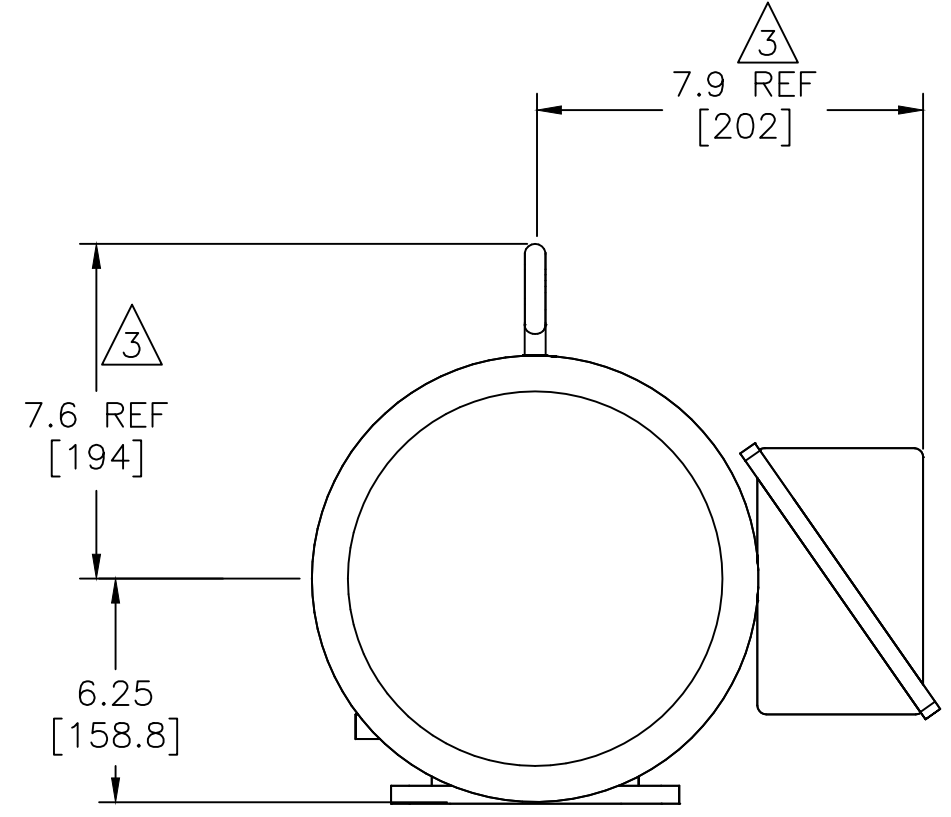
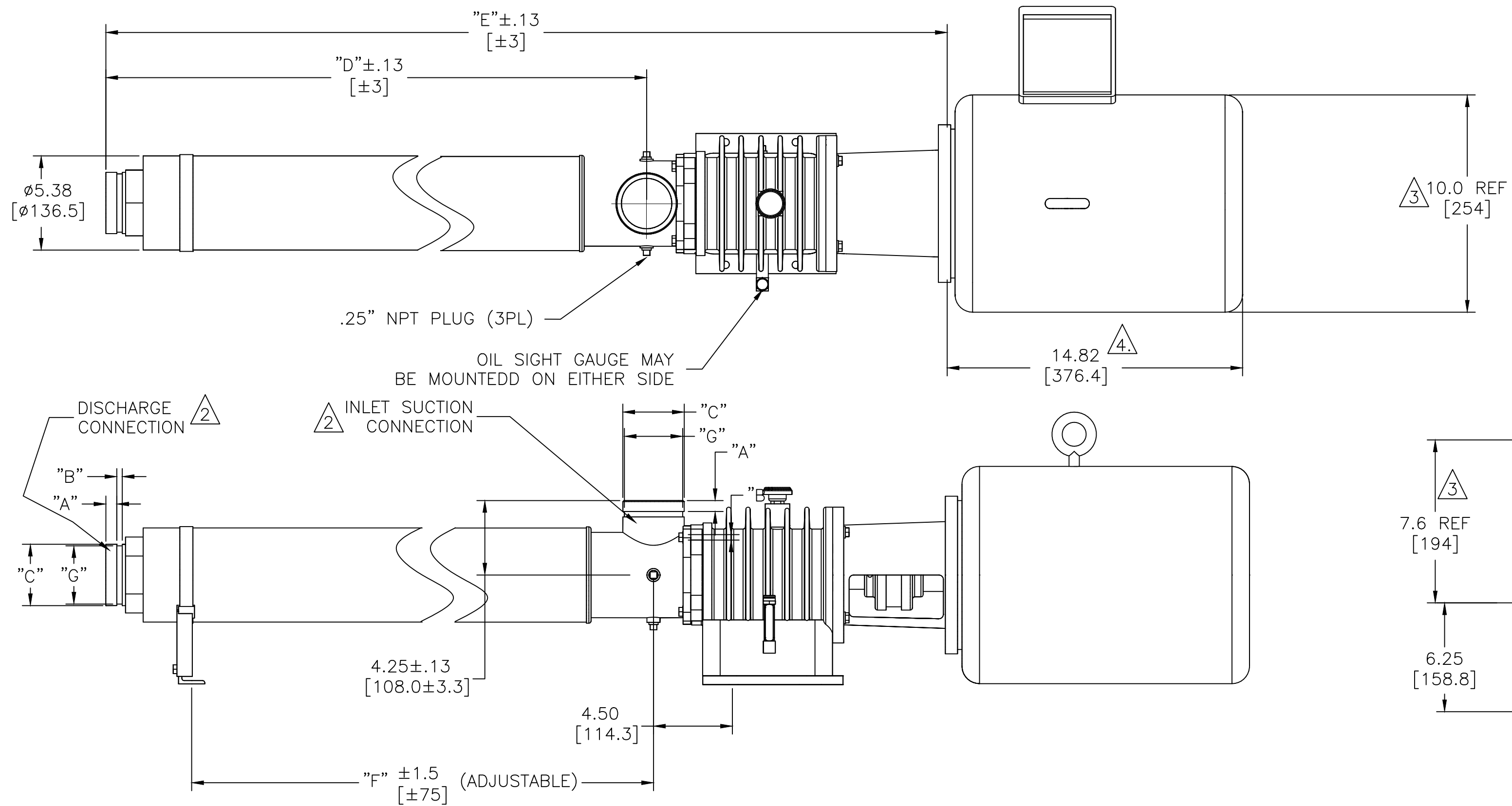


4

3

2

1



NOTES:

- DIMENSIONS ARE IN INCHES [MILLIMETERS].
- PUMP INLET AND DISCHARGE CONNECTIONS MATE WITH 3-INCH VICTAULIC TYPE CLAMPED UNIONS. PUMP INLET MAY BE ROTATED IN 90° INCREMENTS.
- TEFC MARATHON MOTOR SHOWN, MOTOR DIMENSIONS WILL VARY WITH MANUFACTURER AND ARE SHOWN FOR REFERENCE ONLY.
- PUMP AND MOTOR ADAPTER WILL ACCEPT NEMA 215TSC FRAME 3450 RPM ELECTRIC MOTOR AND A WOODS FLEXIBLE COUPLING WITH THE END OF THE PUMP DRIVE SHAFT. THE 215TSC FRAME BASE IN A STRAIN-FREE MANNER IS OPTIONAL WITH 215TSC FRAME MOTORS.
- SEE PUMP INSTRUCTIONS P/N 1125314 FOR ADDITIONAL INFORMATION ON INSTALLATION, STARTUP, AND MAINTENANCE.

MODELS	"D"		"E"		"F"	
	INCHES	[MM]	INCHES	[MM]	INCHES	[MM]
60HZ						
SS5512KA	32.24	818	49.38	1254	26.24	666
SS8510KA	28.30	718	45.44	1154	22.30	566

VICTAULIC® DIMENSIONS STANDARD 3" CONNECTIONS		
ITEM	INCHES	MILLIMETERS
"A"	.625±.031	15.88±.78
"B"	.312±.031	7.94±.78
"C"	3.500±.031	88.90±.78
"G"	3.344 ^{+.000} _{-.018}	84.94 ^{+.00} _{-.46}

TOLERANCES UNLESS NOTED DECIMALS ANGLES .X .1 2" XX .03 FRAC			CUSTOMER INFORMATION	DWG, TF, OUTLINE	DRAWING NUMBER	REVISION
C SUEZ REBRANDING 131562 TG SR MS 20 Sep 18 B REDRAWN ON ACAD 3334 PFM MJT - 23 Jun 98 A RELEASED PER ECO 1743 CBH EMW - 27 Jun 96			SS5500/8500KA, 215TSC NEMA MOTOR	1125285	C	
REV DESCRIPTION ECO DWN APPR APPR DATE			PROJECT NO. PART/MATERIAL NO. SCALE SIZE SHEET 3/16" = 1" C 1 OF 1		DOC. OWNER:	

4

3

2

1