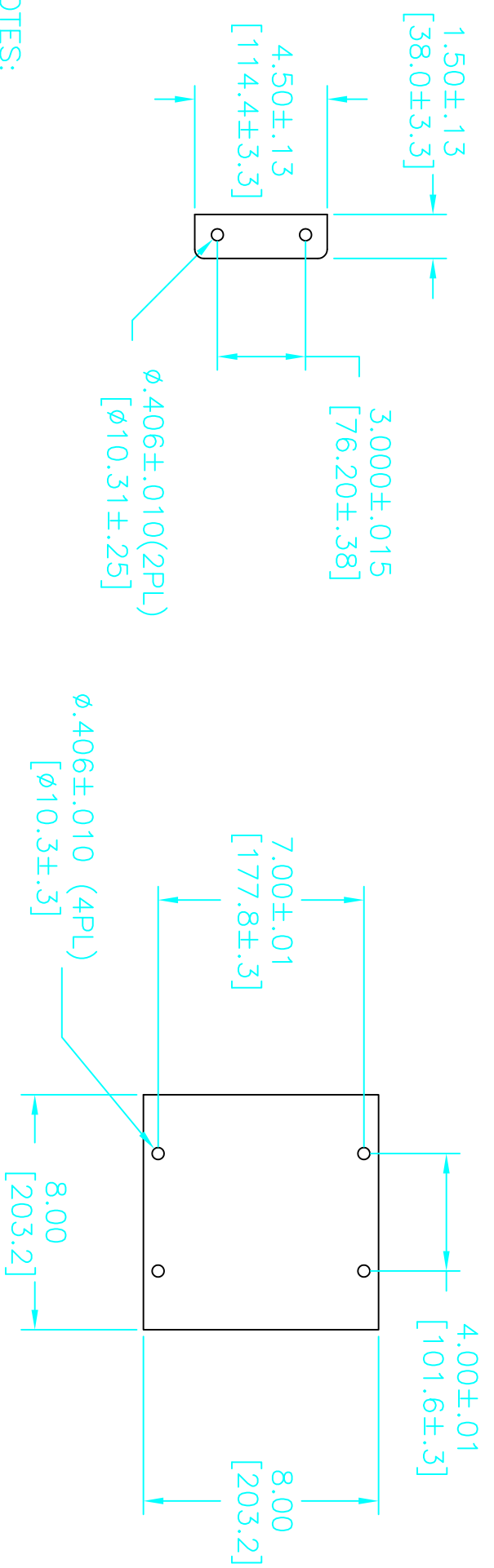
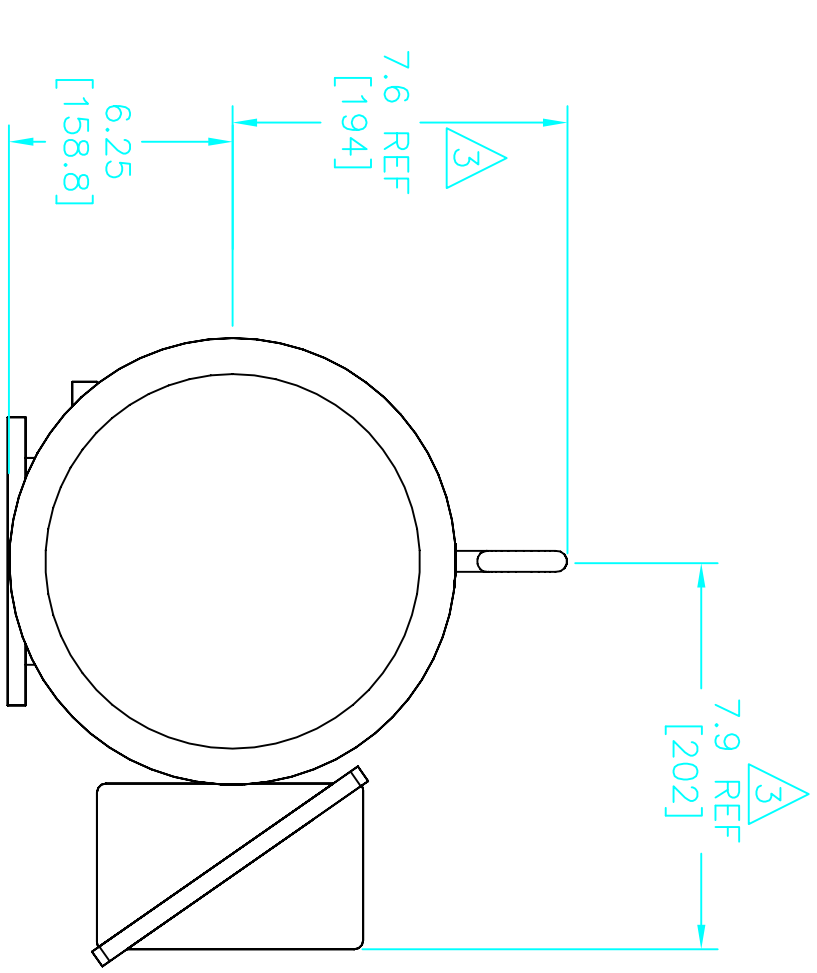
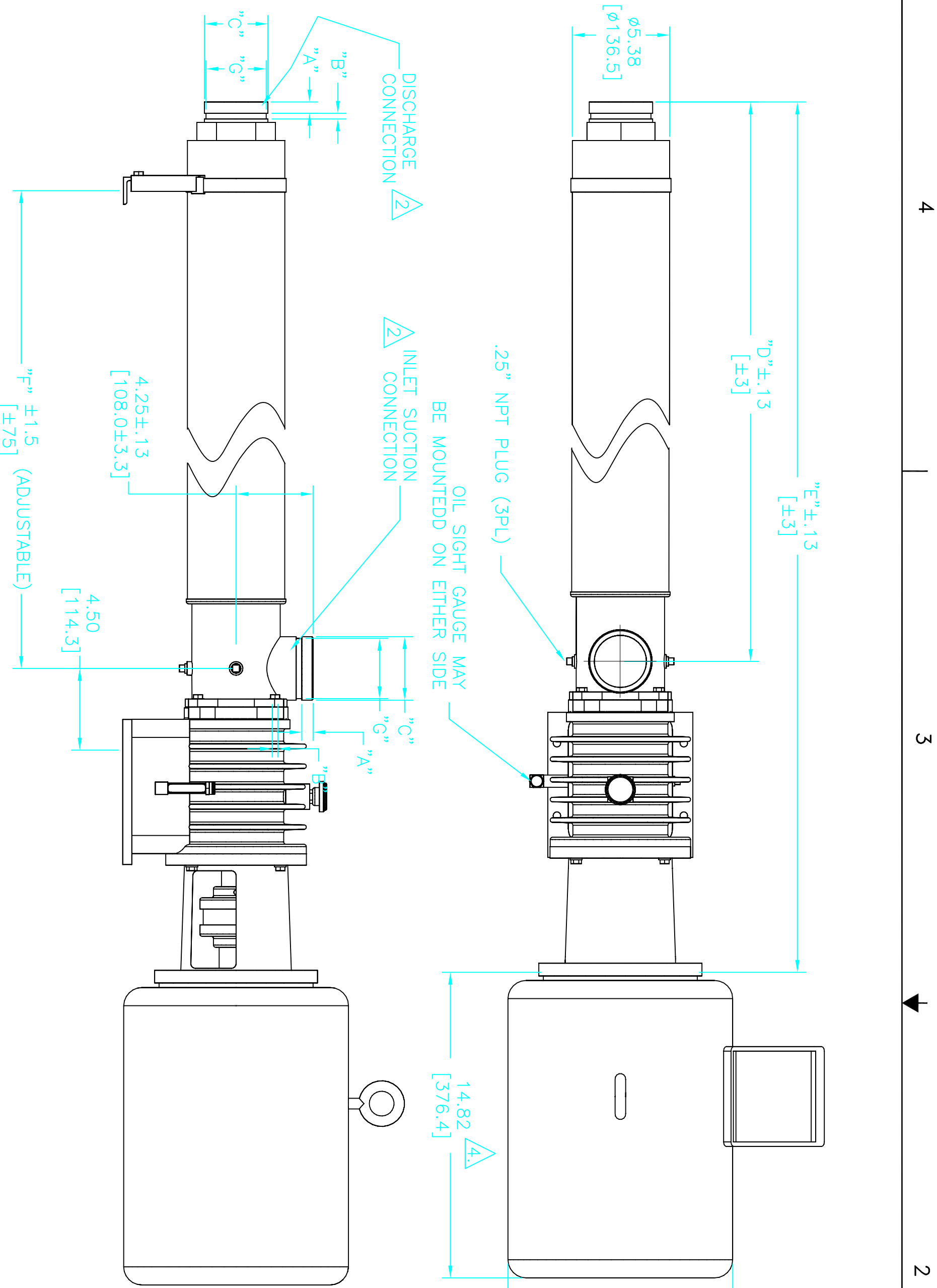


REVISION HISTORY						
REV	ZONE	DESCRIPTION	ECO	DWN	DATE	APVD
A	-	RELEASED PER ECO	1743	CBH	27Jun96	EMW
B	-	REDRAWN ON ACAD	3334	PFM	23Jun98	



MODELS	"D"	"E"	"F"
60HZ	INCHES [MM]	INCHES [MM]	INCHES [MM]
SS5512KA	32.24 818	49.38 1254	26.24 666
SS8510KA	28.30 718	45.44 1154	22.30 566

VICTAULIC® DIMENSIONS STANDARD 3" CONNECTIONS			
ITEM	INCHES	MILLIMETERS	
"A"	.625±.031	15.88±.78	
"B"	.312±.031	7.94±.78	
"C"	3.500±.031	88.90±.78	
"G"	3.344±.000	84.94±.00	

NOTES:

- DIMENSIONS ARE IN INCHES [MILLIMETERS].
- PUMP INLET AND DISCHARGE CONNECTIONS MATE WITH 3-INCH VICTAULIC TYPE CLAMPED UNIONS.
- PUMP INLET MAY BE ROTATED IN 90° INCREMENTS.
- TEFC MARATHON MOTOR SHOWN, MOTOR DIMENSIONS WILL VARY WITH MANUFACTURER AND ARE SHOWN FOR REFERENCE ONLY.
- PUMP AND MOTOR ADAPTER WILL ACCEPT NEMA 215TSC FRAME 3450 RPM ELECTRIC MOTOR AND A WOODS FLEXIBLE COUPLING WITH THE END OF THE PUMP DRIVE SHAFT.
- THE 215TSC FRAME BASE IN A STRAIN-FREE MANNER IS OPTIONAL WITH 215TSC FRAME MOTORS.
- SEE PUMP INSTRUCTIONS P/N 1125314 FOR ADDITIONAL INFORMATION ON INSTALLATION, STARTUP, AND MAINTENANCE.

NOTICE ON REPRODUCTIONS: THE PROPERTY OF GE POWER & WATER THEY ARE LOANED MERELY AND ON THE BORROWER'S EXPRESS AGREEMENT THAT THEY WILL NOT BE REPRODUCED, COPIED, LOANED, REPRODUCED, OR IN ANY MANNER BE USED FOR ANY OTHER PURPOSE WITHOUT THE WRITTEN CONSENT OF THE PROPERTY OWNER.



GE Power & Water
Water & Process Technologies

THIS DRAWING IS THE PROPERTY OF GE POWER & WATER. IT IS TO BE USED FOR THE PROJECT AND NOT TO BE REPRODUCED, COPIED, LOANED, REPRODUCED, OR IN ANY MANNER BE USED FOR ANY OTHER PURPOSE WITHOUT THE WRITTEN CONSENT OF THE PROPERTY OWNER.

FINISH: .XX ± .03
MATERIAL: TOLERANCES UNLESS NOTED: ANGLES ± 2°

ORDER NO. JMA DATE 12Apr95
CUSTOMER WOG DATE 20Jun95
CUSTOMER LOC. WRJ DATE 20Jun95
DO NOT SCALE APVD DATE

TITLE: DWG, TF, OUTLINE
SS5500/8500KA, 215TSC NEMA MOTOR

SIZE: C
THIRD ANGLE
SCALE: 3/16" = 1"
FILE TYPE: ACAD
SHEET: 1 OF 1

4

3

2

1