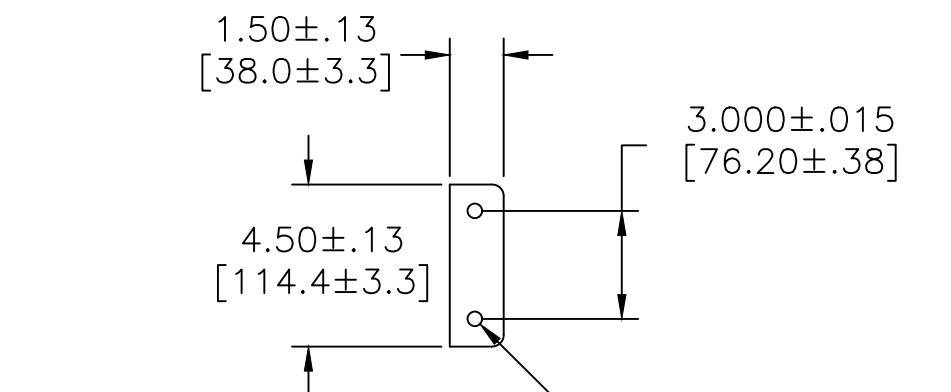
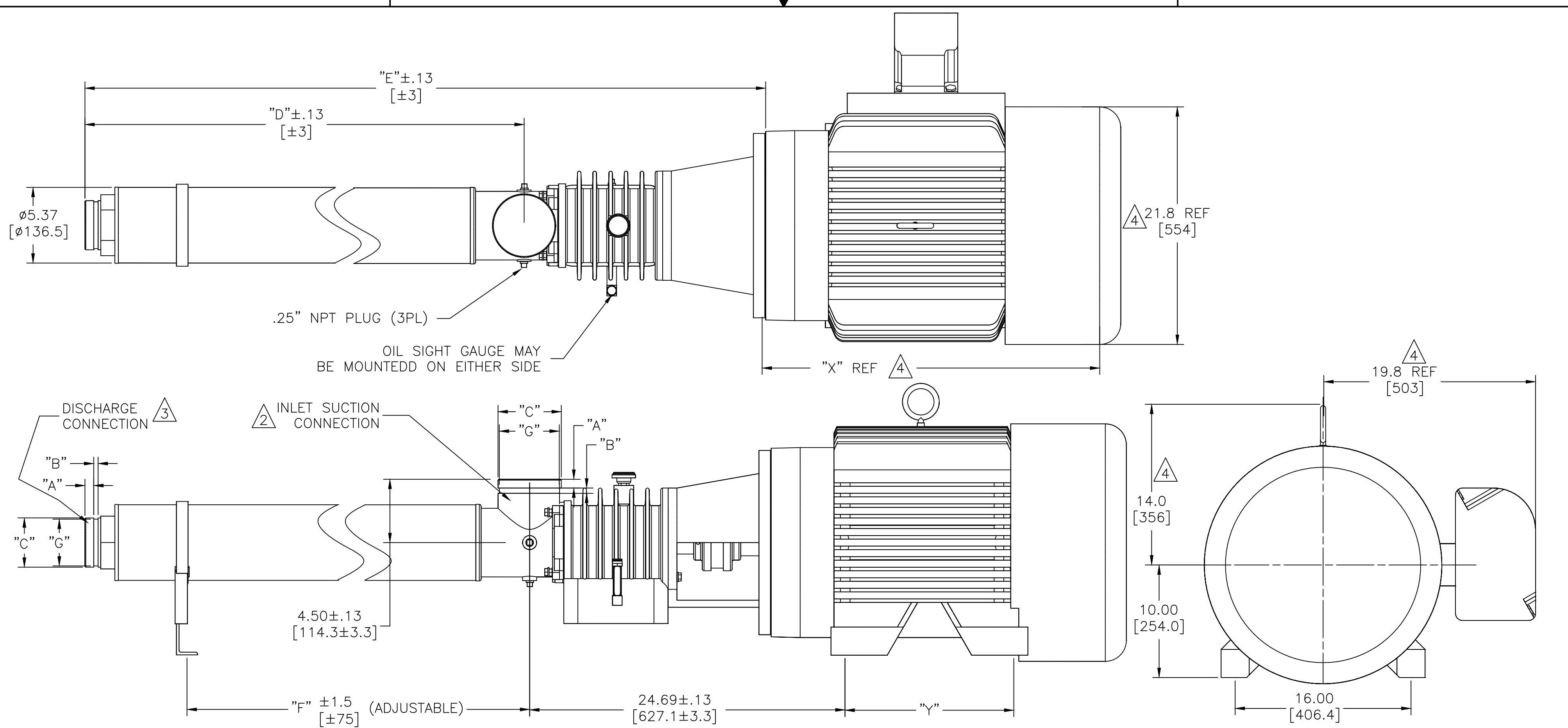


4

3

2

1



MODELS		"D"		"E"		"F"	
60HZ	50HZ	INCHES	[MM]	INCHES	[MM]	INCHES	[MM]
SS24016KF		79.34	2015	97.13	2467	73.34	1862
	SS24018KF	87.94	2233	105.73	2686	81.94	2081

VICTAULIC® DIMENSIONS STANDARD 3" DISCHARGE CONNECTIONS		
ITEM	INCHES	MILLIMETERS
"A"	.625 ± .031	15.88 ± .78
"B"	.312 ± .031	7.94 ± .78
"C"	3.500 ± .031	88.90 ± .78
"G"	3.344 <sup>+.000</sup> <sub>-.018</sub>	84.94 <sup>+.00</sup> <sub>-.46</sub>

VICTAULIC® DIMENSIONS STANDARD 4" INLET CONNECTIONS		
ITEM	INCHES	MILLIMETERS
"A"	.625 ± .031	15.88 ± .78
"B"	.375 ± .031	9.53 ± .78
"C"	4.500 ± .031	114.30 ± .78
"G"	4.334 <sup>+.000</sup> <sub>-.020</sub>	110.08 <sup>+.00</sup> <sub>-.51</sub>

MOTOR SIZE	"X"		"Y"	
	INCHES	[MM]	INCHES	[MM]
404TSC	28.62	726	12.25	311
405TSC	30.12	765	13.75	349

- NOTES:
- DIMENSIONS ARE IN INCHES [MILLIMETERS].
  - PUMP INLET CONNECTION MATE WITH 4-INCH VICTAULIC TYPE CLAMPED UNIONS  
PUMP INLET MAY BE ROTATED IN 90° INCREMENTS.
  - PUMP DISCHARGE CONNECTIONS MATE WITH 3-INCH VICTAULIC TYPE CLAMPED UNION
  - TEFC MARATHON 404TSC MOTOR SHOWN, MOTOR DIMENSIONS WILL VARY WITH MANUFACTURER AND ARE SHOWN FOR REFERENCE ONLY.
  - PUMP AND MOTOR ADAPTER WILL ACCEPT NEMA 404/405TSC FRAMES 3450 RPM ELECTRIC MOTOR AND A WOODS FLEXIBLE COUPLING WITH THE END OF THE PUMP DRIVE SHAFT. THE 404/405TSC FRAME MOTORS MUST HAVE A BASE AND BE RIGIDLY MOUNTED. MOUNTING OF BEARING FRAME BASE IN A STRAIN-FREE MANNER IS OPTIONAL WITH 404/405TSC FRAME MOTORS.
  - SEE PUMP INSTRUCTIONS P/N 1125314 FOR ADDITIONAL INFORMATION ON INSTALLATION, STARTUP, AND MAINTENANCE.

REV	DESCRIPTION	ECO	DWN	APPR	DATE	
C	SUEZ REBRANDING	131562	TG	SR	MS	20 Sep 18
B	REDRAWN ON ACAD	3334	PFM	MJT	-	23 Jun 98
A	RELEASED PER ECO	2803	ARD	EMW	-	19 May 97

TOLERANCES UNLESS NOTED	
DECIMALS	ANGLES
.X .1	2°
.XX .03	FRAC
.XXX .010	



CUSTOMER INFORMATION

DWG, TF, OUTLINE SS/SB500/  
SS24000KF, 404/405TSC NEMA MOTOR

DRAWING NUMBER		REVISION
1125140		C
PROJECT NO.	PART/MATERIAL NO.	SCALE
		3/16" = 1"
		SIZE
		C
		SHEET
		1 OF 1