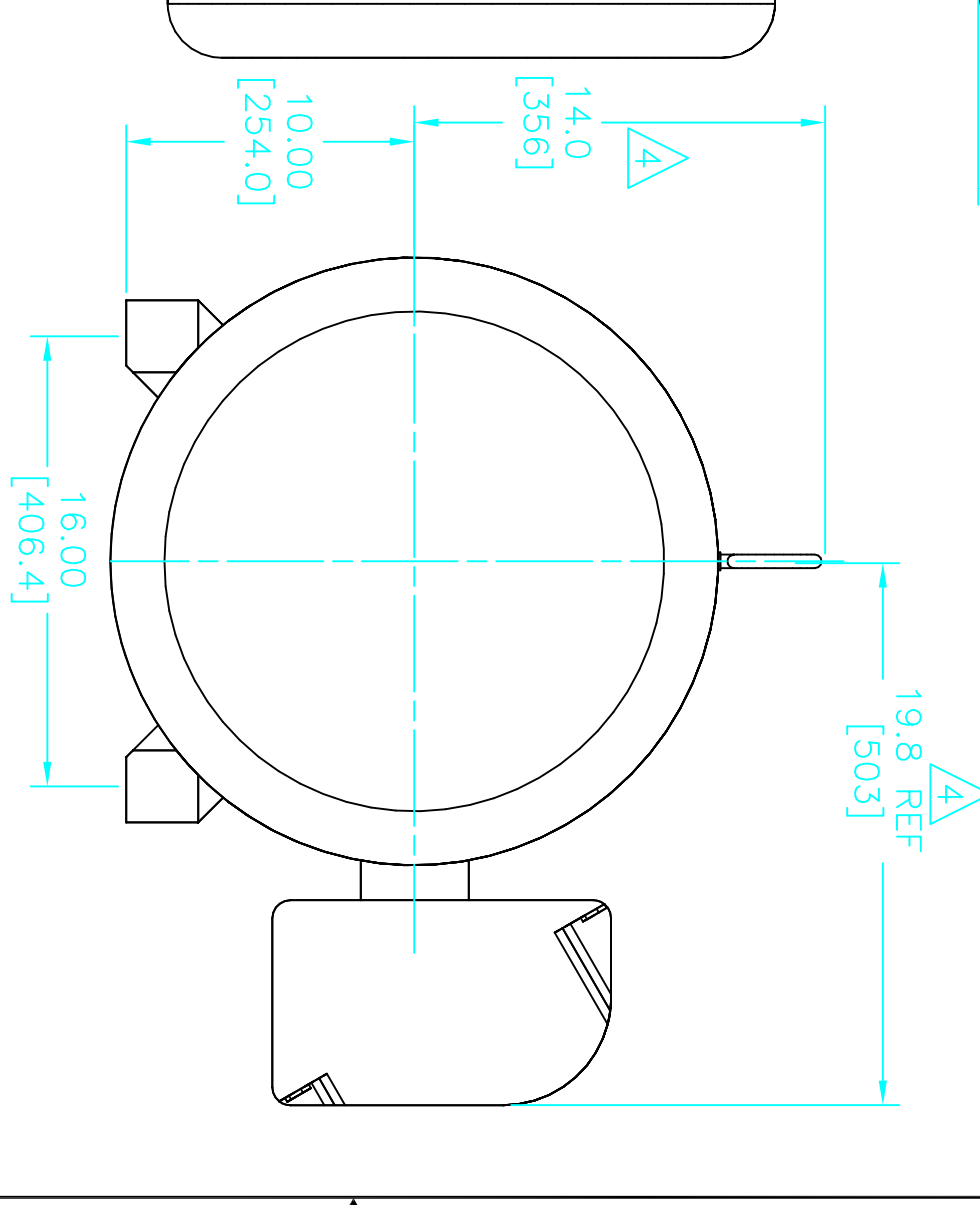
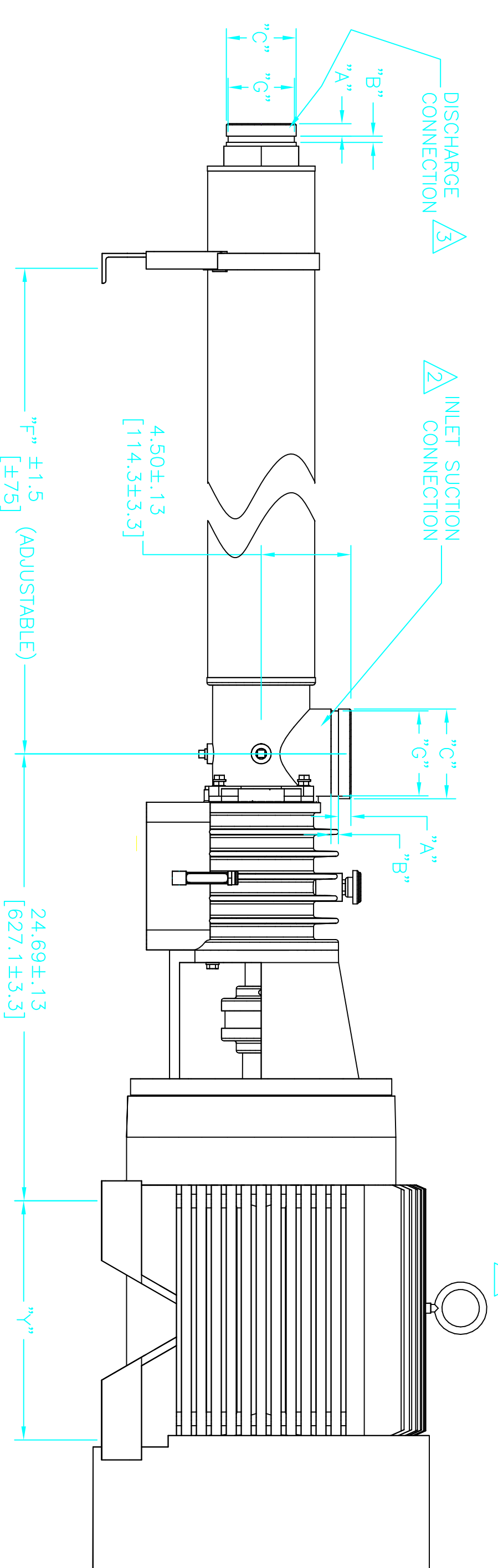
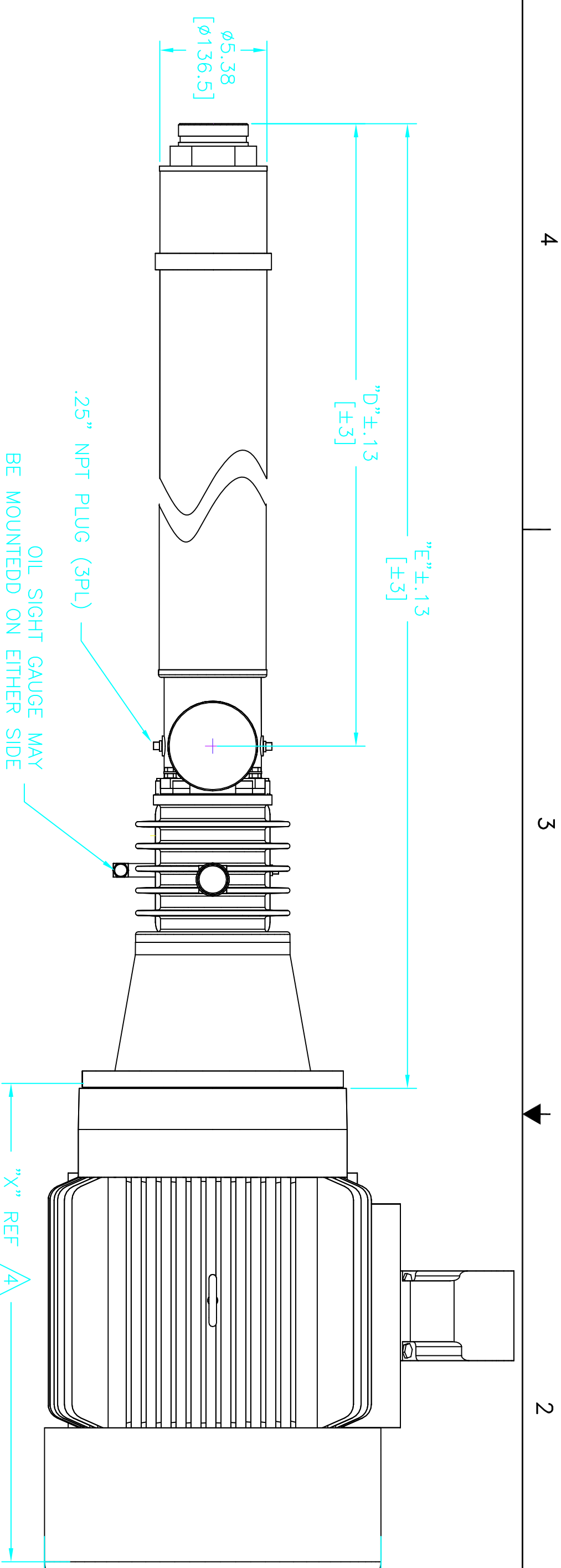


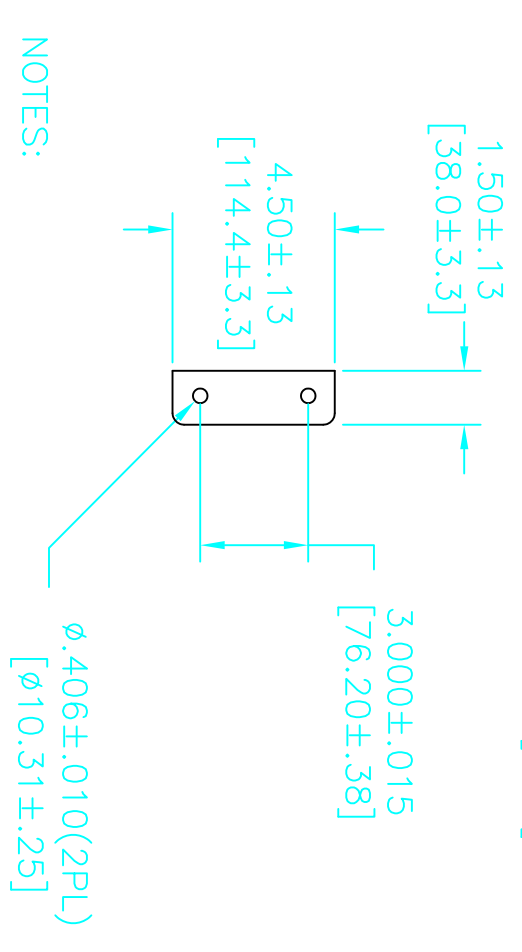
REVISION HISTORY						
REV	ZONE	DESCRIPTION	ECO	DWN	DATE	APVD
A	-	RELEASED PER ECO	2803	ARD	19M09/97	EMW
B	-	REDRAWN ON ACAD	3334	PFM	23Jun98	



MODELS					
	60HZ	50HZ	"D" INCHES	"E" INCHES	"F" INCHES
SS24016KF			79.34	2015	97.13
SS24018KF			87.94	2233	105.73
					2686
					81.94
					2081

VICTAULIC® DIMENSIONS STANDARD 3"			VICTAULIC® DIMENSIONS STANDARD 4"		
ITEM	INCHES	MILLIMETERS	ITEM	INCHES	MILLIMETERS
"A"	.625±.031	15.88±.78	"A"	.625±.031	15.88±.78
"B"	.312±.031	7.94±.78	"B"	.375±.031	9.53±.78
"C"	3.500±.031	88.90±.78	"C"	4.500±.031	114.30±.78
"G"	3.344±.000	84.94±.00	"G"	4.334±.000	110.08±.00

MOTOR SIZE					
	404TSC	405TSC	"X" INCHES	"Y" INCHES	"Y" [MM]
			28.62	726	12.25
			30.12	765	13.75
					349



NOTES:

- DIMENSIONS ARE IN INCHES [MILLIMETERS].
- PUMP INLET CONNECTION MATE WITH 4-INCH VICTAULIC TYPE CLAMPED UNIONS
- PUMP INLET MAY BE ROTATED IN 90° INCREMENTS.
- PUMP DISCHARGE CONNECTIONS MATE WITH 3-INCH VICTAULIC TYPE CLAMPED UNION
- TEFC MARATHON 404TSC MOTOR SHOWN, MOTOR DIMENSIONS WILL VARY WITH MANUFACTURER AND ARE SHOWN FOR REFERENCE ONLY.
- PUMP AND MOTOR ADAPTER WILL ACCEPT NEMA 404/405TSC FRAMES 3450 RPM ELECTRIC MOTOR AND A WOODS FLEXIBLE COUPLING WITH THE END OF THE PUMP DRIVE SHAFT.
- THE 404/405TSC FRAME MOTORS MUST HAVE A BASE AND BE RIGIDLY MOUNTED. MOUNTING OF BEARING FRAME BASE IN A STRAIN-FREE MANNER IS OPTIONAL WITH 404/405TSC FRAME MOTORS.
- SEE PUMP INSTRUCTIONS P/N 1125314 FOR ADDITIONAL INFORMATION ON INSTALLATION, STARTUP, AND MAINTENANCE.

**GE Power & Water**  
Water & Process Technologies

NOTICE ON REPRODUCTIONS: THIS DRAWING AND THE INFORMATION CONTAINED HEREIN ARE THE PROPERTY OF GE POWER & WATER. THEY ARE LOANED MERELY AND ON THE BORROWER'S EXPRESS AGREEMENT THAT THEY WILL NOT BE REPRODUCED, COPIED, LOANED, REPRODUCED, EITHER WHOLLY OR IN PART, OR UNDER ANY NAME, WITHOUT THE WRITTEN CONSENT OF GE POWER & WATER.

FINISH: .X ± .1 / .XX ± .03 / .XXX ± .010

TOLERANCES UNLESS NOTED: ANGLES ± 2'

FRAC: .X ± .1 / .XX ± .03 / .XXX ± .010

DATE: 16Jun96

APVD: [Signature]

SCALE: 3/16" = 1"

FILE TYPE: ACAD

SHEET: 1 OF 1

ORDER NO.	CHKD	DATE	DATE	SCALE	SIZE	DWG NO./FN	REV
CUSTOMER	APVD	DATE	DATE	3/16" = 1"	C	1125140	B
CUSTOMER LOC.	APVD	DATE	DATE				
DO NOT SCALE	APVD	DATE	DATE				