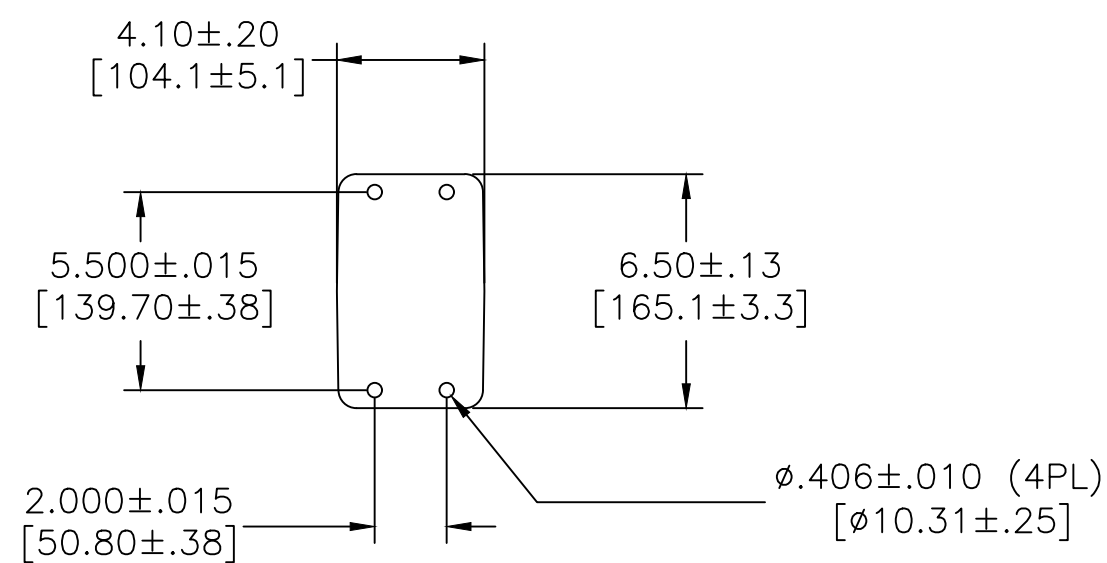
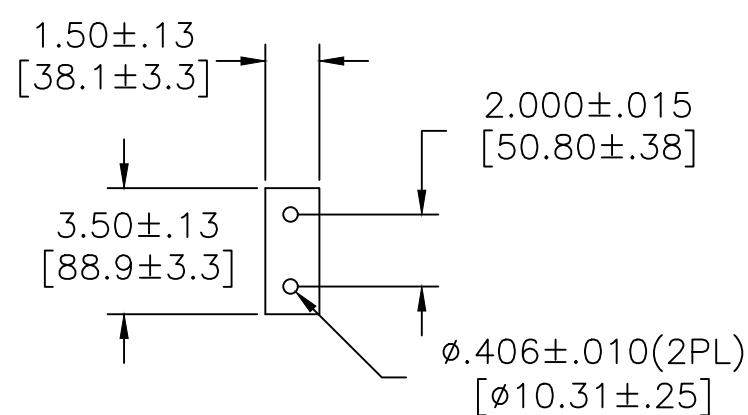
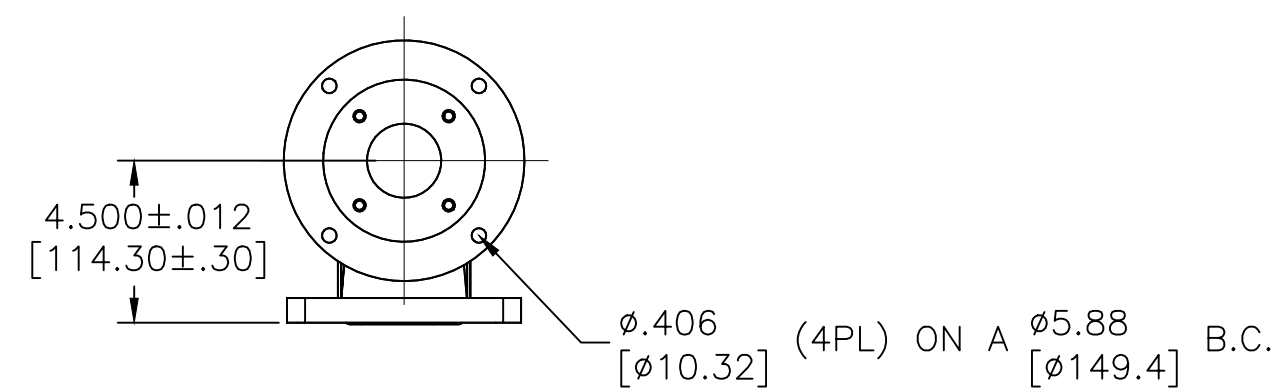
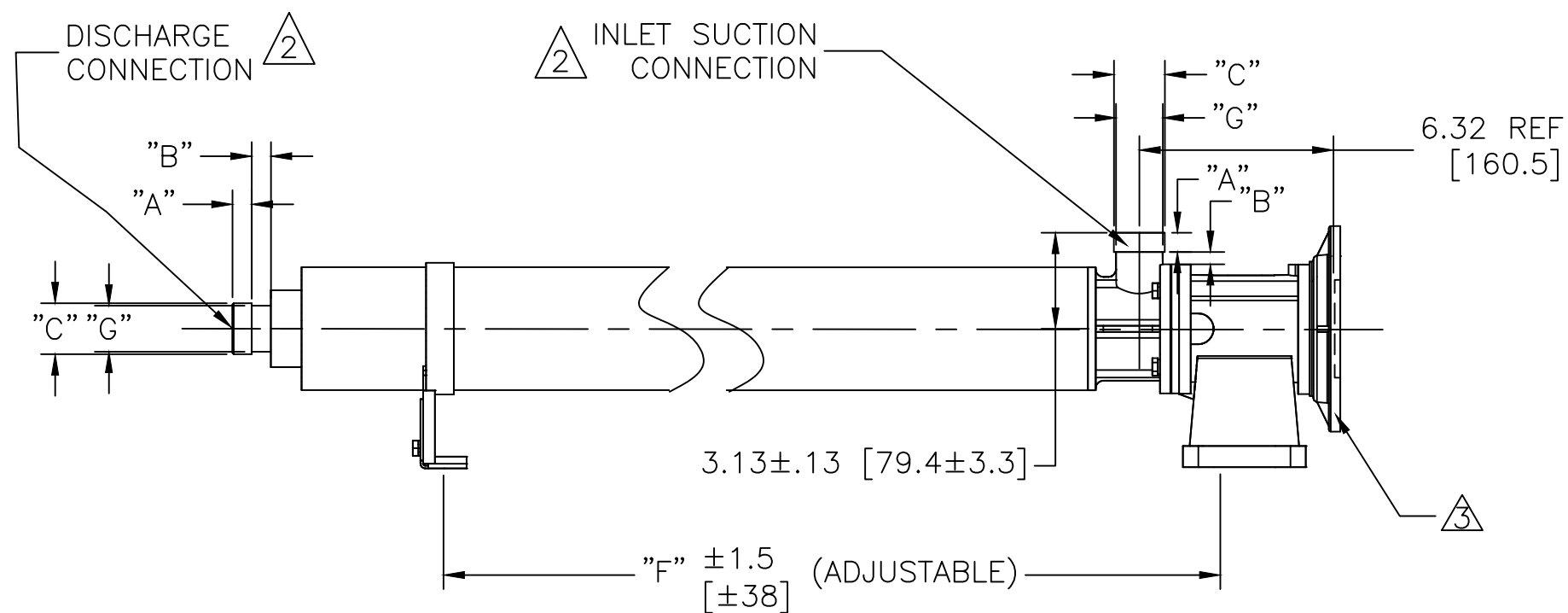
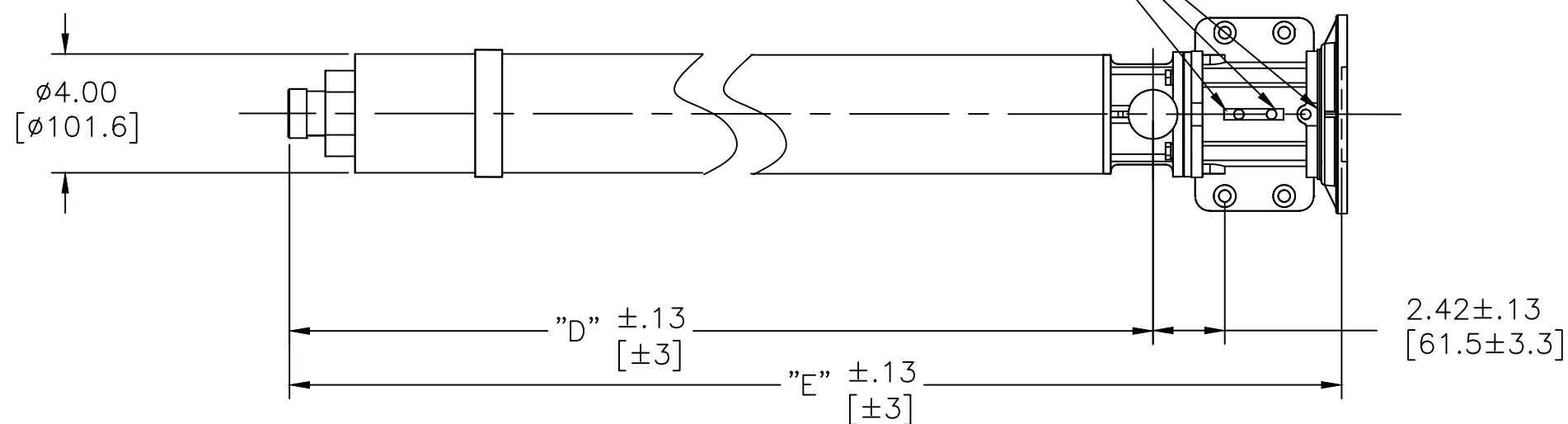


4 GREASE PORTS;
 LUBE CENTER FOR HORIZONTAL MOUNTING
 LUBE LEFT AND CENTER FOR VERTICAL MOUNTING, MOTOR DOWN
 LUBE RIGHT AND CENTER FOR VERTICAL MOUNTING, MOTOR UP



VICTAULIC® DIMENSIONS STANDARD 1.25" INLET & DISCHARGE CONNECTIONS		
ITEM	INCHES	MILLIMETERS
"A"	.625 ± 0.031	15.88 ± 0.78
"B"	.375 ± 0.031	9.53 ± 0.78
"C"	1.660 ^{+0.045} _{-0.031}	48.16 ^{+1.14} _{-0.78}
"G"	1.535 ^{+0.000} _{-0.020}	39.00 ^{+0.00} _{-0.51}

MODELS		"D"		"E"		"F"	
		INCHES	[MM]	INCHES	[MM]	INCHES	[MM]
AS408HZ/1608HZ/2508HZ	50HZ	12.90	328	19.22	488	-	-
AS412HZ/1612HZ/2512HZ	AS412HZ/1612HZ/2512HZ	16.22	412	22.54	573	14.0	355
AS417HZ/1617HZ	AS417HZ/1617HZ/2517HZ	20.37	517	26.69	678	18.1	460
AS423HZ		25.35	644	31.67	804	23.1	586
AS434HZ	AS434HZ	34.48	876	40.80	1036	32.2	818
AS445HZ	AS445HZ	43.61	1108	49.93	1268	41.4	1051

NOTES:

- DIMENSIONS ARE IN INCHES [MILLIMETERS].
- PUMP INLET AND DISCHARGE CONNECTIONS MATE WITH 1.25-INCH VICTAULIC TYPE CLAMPED UNIONS. PUMP INLET MAY BE ROTATED IN 90° INCREMENTS.
- PUMP AND MOTOR ADAPTER WILL ACCEPT NEMA 56C FRAME ELECTRIC MOTORS FLANGE IS TO BE FLUSH WITH THE END OF THE PUMP DRIVE SHAFT.
- SEE PUMP INSTRUCTIONS P/N 1123174 FOR ADDITIONAL INFORMATION ON INSTALLATION, STARTUP, AND MAINTENANCE.

REV	DESCRIPTION	ECO	DWN	APPR	DATE	
E	SUEZ REBRANDING	131562	TG	SR	MS	20 Sep 18
D	REDRAWN ON ACAD	3334	RLH	MJT	-	05 Mar 98
C	HZ WAS AW	2004	RLH	-	-	28 Feb 94
B	ADD MODELS 445	1094	RLH	-	-	14 Jul 93
A	INITIAL RELEASE	1260	-	-	-	-



CUSTOMER INFORMATION

DWG, TF, OUTLINE SS/SB500/
AS400/1600/2500 "HZ" SERIES PUMP

DRAWING NUMBER

1122936

REVISION
E

PROJECT NO.	PART/MATERIAL NO.	SCALE	SIZE	SHEET
		3/16" = 1"	C	1 OF 1