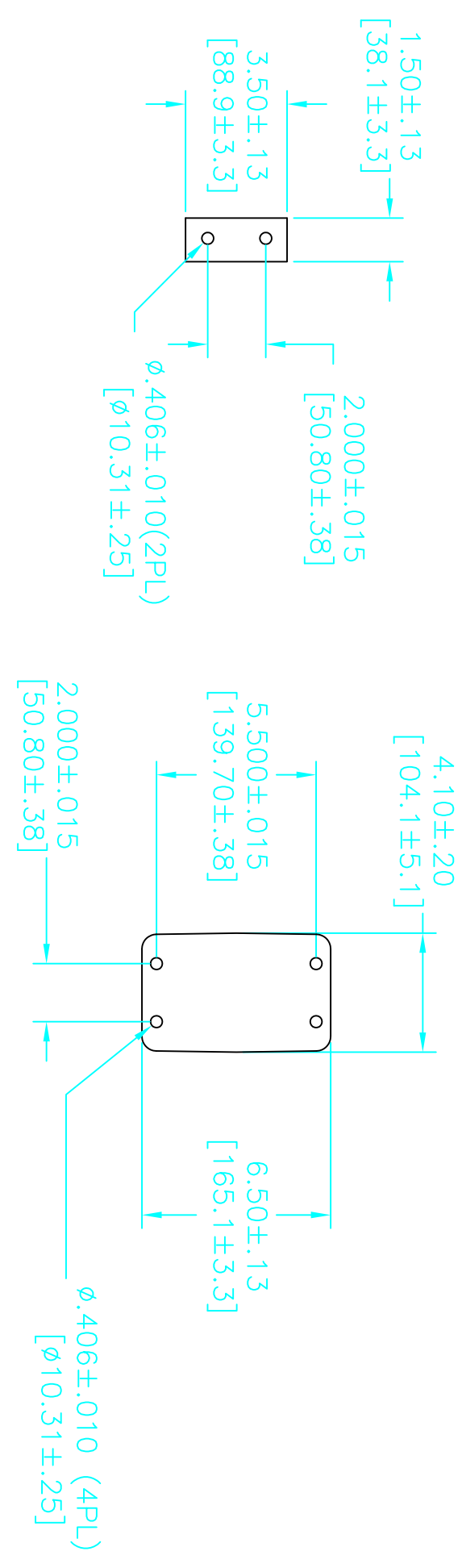
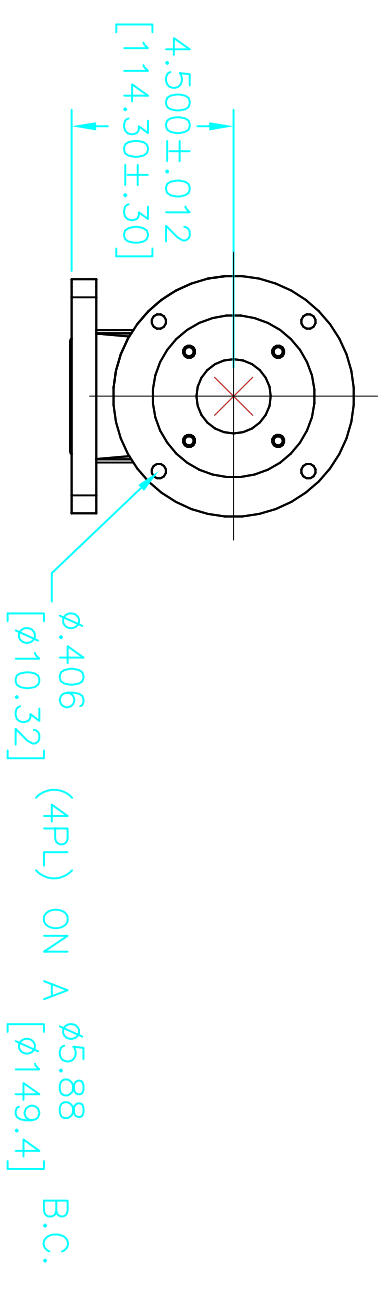
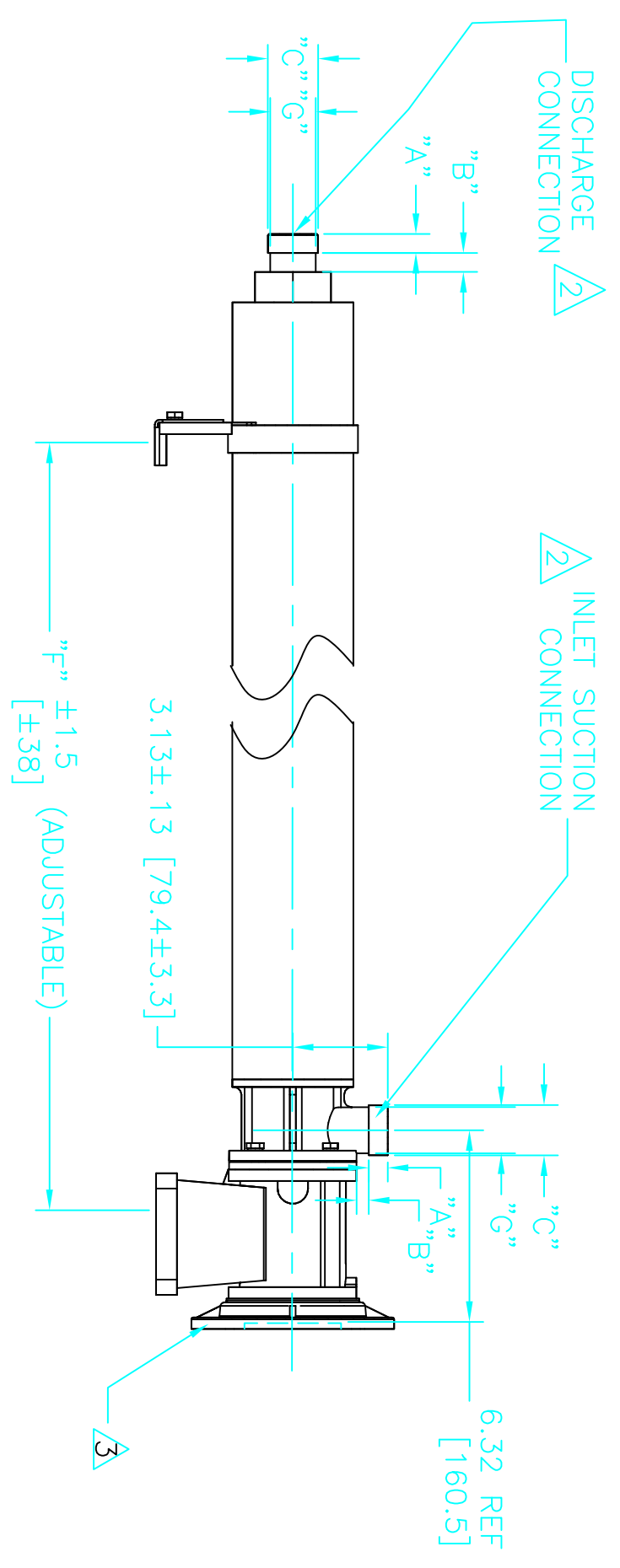
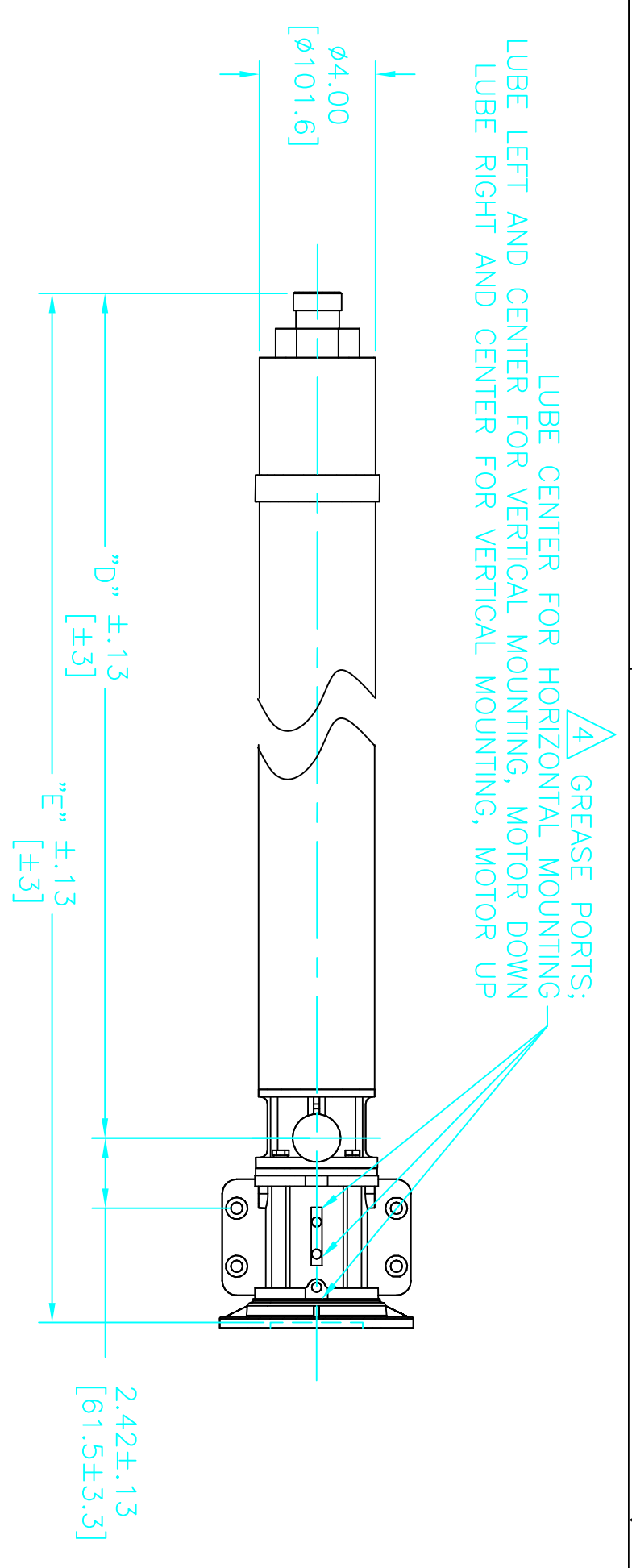


REVISION HISTORY						
REV	ZONE	DESCRIPTION	ECO	DWN	DATE	APVD
A	-	INITIAL RELEASE	1260	-	-	-
B	-	ADD MODELS 445	1094	RLH	14JUL93	
C	-	HZ WAS AW	2004	RLH	28FEB94	
D	-	REDRAWN ON ACAD	3334	RLH	05MAR98	



VICTAULIC® DIMENSIONS STANDARD 1.25" INLET & DISCHARGE CONNECTIONS				
ITEM	INCHES	MILLIMETERS		
"A"	.625±.031	15.88±.78		
"B"	.375±.031	9.53±.78		
"C"	1.660 ^{+ .045} _{-.031}	48.16 ^{+ .114} _{-.78}		
"G"	1.535 ^{+ .000} _{-.020}	39.00 ^{+ .00} _{-.51}		

MODELS		"D"	"E"	"F"
60HZ	50HZ	INCHES	INCHES	INCHES
AS408HZ/1608HZ/2508HZ		12.90	328	19.22
AS412HZ/1612HZ/2512HZ		16.22	412	22.54
AS417HZ/1617HZ	AS412HZ/1612HZ/2512HZ	20.37	517	26.69
AS423HZ	AS417HZ/1617HZ/2517HZ	25.35	644	31.67
AS434HZ	AS434HZ	34.48	876	40.80
AS445HZ	AS445HZ	43.61	1108	49.93

- NOTES:
- DIMENSIONS ARE IN INCHES [MILLIMETERS].
 - PUMP INLET AND DISCHARGE CONNECTIONS MATE WITH 1.25-INCH VICTAULIC TYPE CLAMPED UNIONS.
 - PUMP INLET MAY BE ROTATED IN 90° INCREMENTS.
 - PUMP AND MOTOR ADAPTER WILL ACCEPT NEMA 56C FRAME ELECTRIC MOTORS.
 - FLANGE IS TO BE FLUSH WITH THE END OF THE PUMP DRIVE SHAFT.
 - SEE PUMP INSTRUCTIONS P/N 1123174 FOR ADDITIONAL INFORMATION ON INSTALLATION, STARTUP, AND MAINTENANCE.

GE Power & Water
 Water & Process Technologies

FINISH	MATERIAL		NOTICE ON REPRODUCTIONS		TITLE	
ORDER NO.	CHKD	DTW	DATE	DATE	DATE	DATE
CUSTOMER	APVD	WRM	DATE	DATE	DATE	DATE
DO NOT SCALE	APVD		DATE	DATE	DATE	DATE