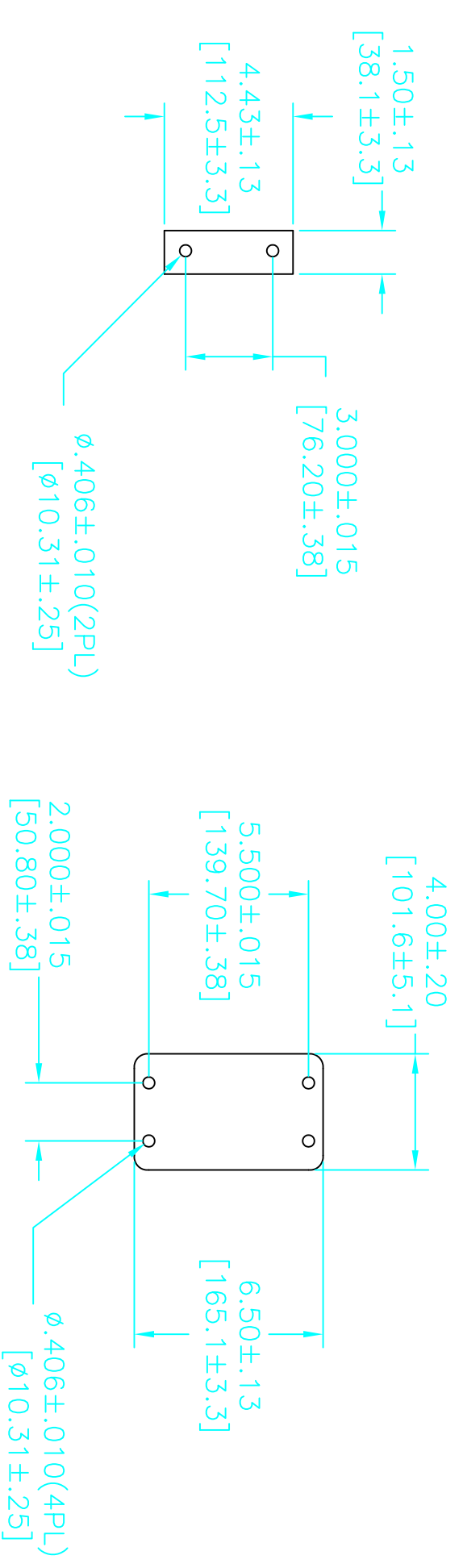
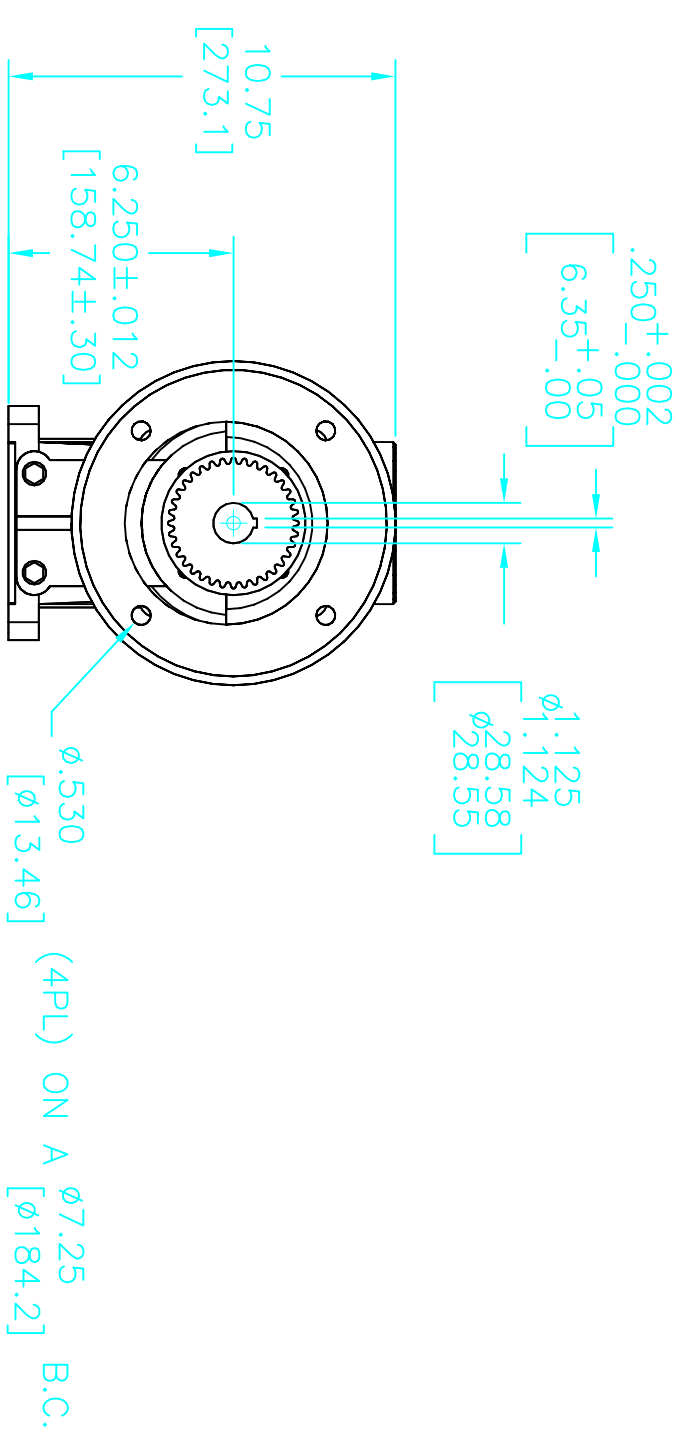
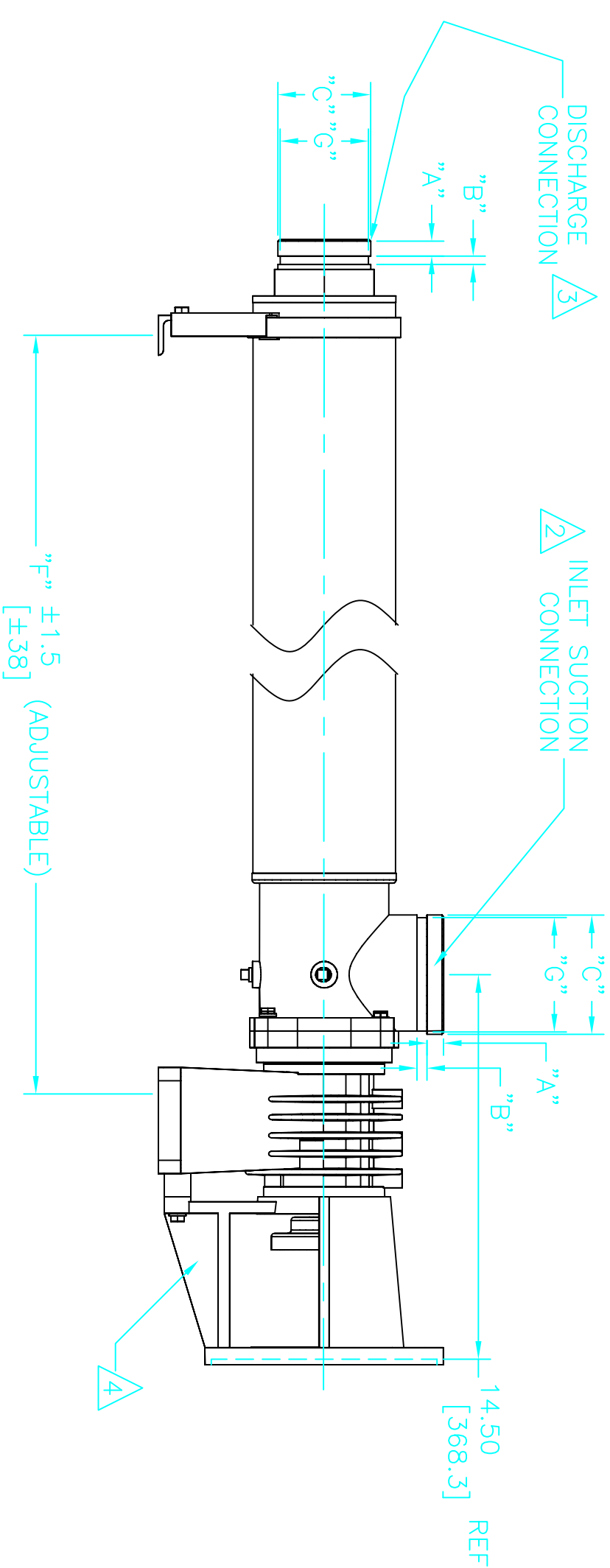
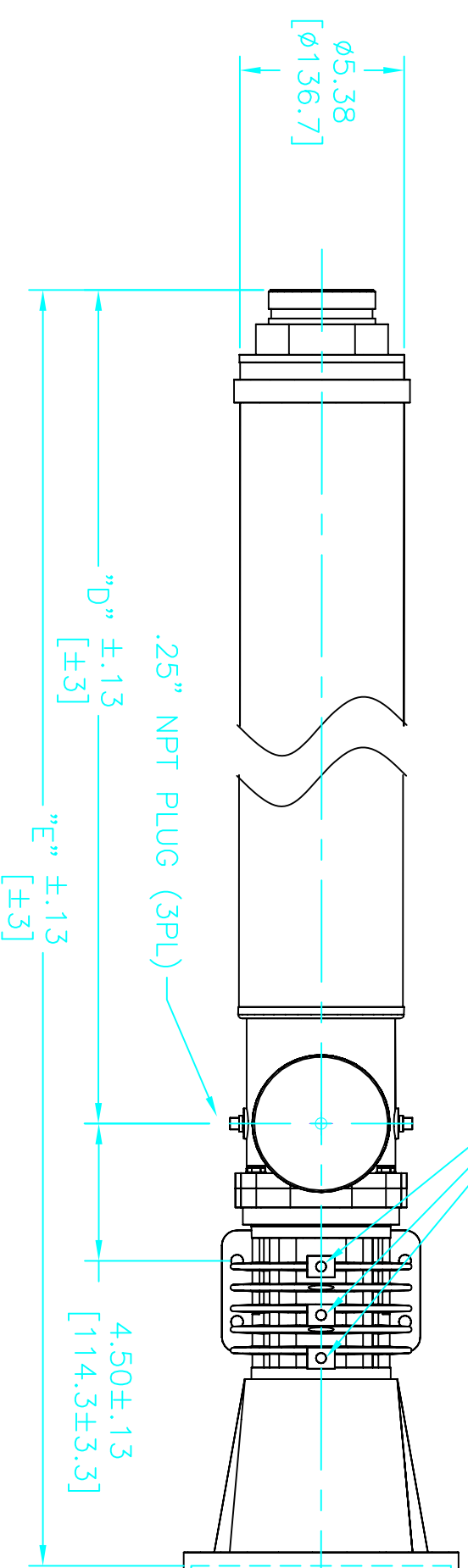


GREASE PORTS:
 LUBE CENTER FOR HORIZONTAL MOUNTING,
 LUBE LEFT AND CENTER FOR VERTICAL MOUNTING, MOTOR DOWN
 LUBE RIGHT AND CENTER FOR VERTICAL MOUNTING, MOTOR UP



NOTES:

- DIMENSIONS ARE IN INCHES [MILLIMETERS].
- PUMP INLET CONNECTIONS MATE WITH 4-INCH VICTAULIC TYPE CLAMPED UNIONS.
- PUMP INLET MAY BE ROTATED IN 90° INCREMENTS.
- PUMP DISCHARGE CONNECTIONS MATE WITH 3-INCH VICTAULIC TYPE CLAMPED UNIONS.
- PUMP AND MOTOR ADAPTER WILL ACCEPT NEMA 213TC, 215TC, 254TC, 256TC FRAME ELECTRIC MOTORS AND A WOODS FLEXIBLE COUPLING.
- FLANGE IS TO BE MOUNTED FLUSH WITH THE END OF THE PUMP SHAFT, FOR BELT DRIVE PUMPS, THE BEARING SHAFT EXTENDS 1.75" BEYOND THE END OF THE BEARING FRAME HOUSING WITH MOTOR ADAPTER REMOVED.
- SEE PUMP INSTRUCTIONS P/N 1116531 FOR ADDITIONAL INFORMATION ON INSTALLATION, STARTUP, AND MAINTENANCE.

VICTAULIC® DIMENSIONS STANDARD 3"				VICTAULIC® DIMENSIONS STANDARD 4"			
ITEM	INCHES	MILLIMETERS	ITEM	INCHES	MILLIMETERS	ITEM	MILLIMETERS
"A"	.625 ± .031	15.88 ± .78	"A"	.625 ± .031	15.88 ± .78	"A"	.625 ± .031
"B"	.375 ± .031	9.53 ± .78	"B"	.375 ± .031	9.53 ± .78	"B"	.375 ± .031
"C"	3.500 ± .045	88.90 ± 1.14	"C"	4.500 ± .063	114.30 ± 1.60	"C"	4.500 ± .063
"G"	3.334 ± .020	84.68 ± .51	"G"	4.334 ± .020	110.08 ± .51	"G"	4.334 ± .020

MODELS	"D"	"E"	"F"
	INCHES [MM]	INCHES [MM]	INCHES [MM]
60HZ	50HZ		
SS24002D	16.08	408	30.79
SS24003D	20.38	517	35.09
SS24004D	24.68	626	39.39

GE Power & Water
 Water & Process Technologies

NOTICE ON REPRODUCTIONS: THIS DRAWING, THE ATTACHED SPECIFICATIONS AND THE PROPERTY OF GE POWER & WATER THEY ARE LOANED MERELY AND ON THE BORROWER'S EXPRESS AGREEMENT THAT THEY WILL NOT BE REPRODUCED, COPIED, LOANED, REPRODUCED, EITHER WHOLLY OR IN PART, OR UNDER ANY OTHER NAME WITHOUT THE WRITTEN CONSENT OF GE POWER & WATER.

NOTICE ON REPRODUCTIONS: THIS DRAWING, THE ATTACHED SPECIFICATIONS AND THE PROPERTY OF GE POWER & WATER THEY ARE LOANED MERELY AND ON THE BORROWER'S EXPRESS AGREEMENT THAT THEY WILL NOT BE REPRODUCED, COPIED, LOANED, REPRODUCED, EITHER WHOLLY OR IN PART, OR UNDER ANY OTHER NAME WITHOUT THE WRITTEN CONSENT OF GE POWER & WATER.

ORDER NO.	DWN	MDO	DATE	16Feb92	SIZE	C	DWG NO./FN	SS24000 "D" SERIES PUMP
CUSTOMER	CHKD	WRM	DATE	17Mar92	THIRD ANGLE		1122833	
CUSTOMER LOC.	APVD	WRM	DATE	17Mar92	SCALE	3/16" = 1"	FILE TYPE	ACAD
DO NOT SCALE	APVD	APVD	DATE				SHEET	1 OF 1