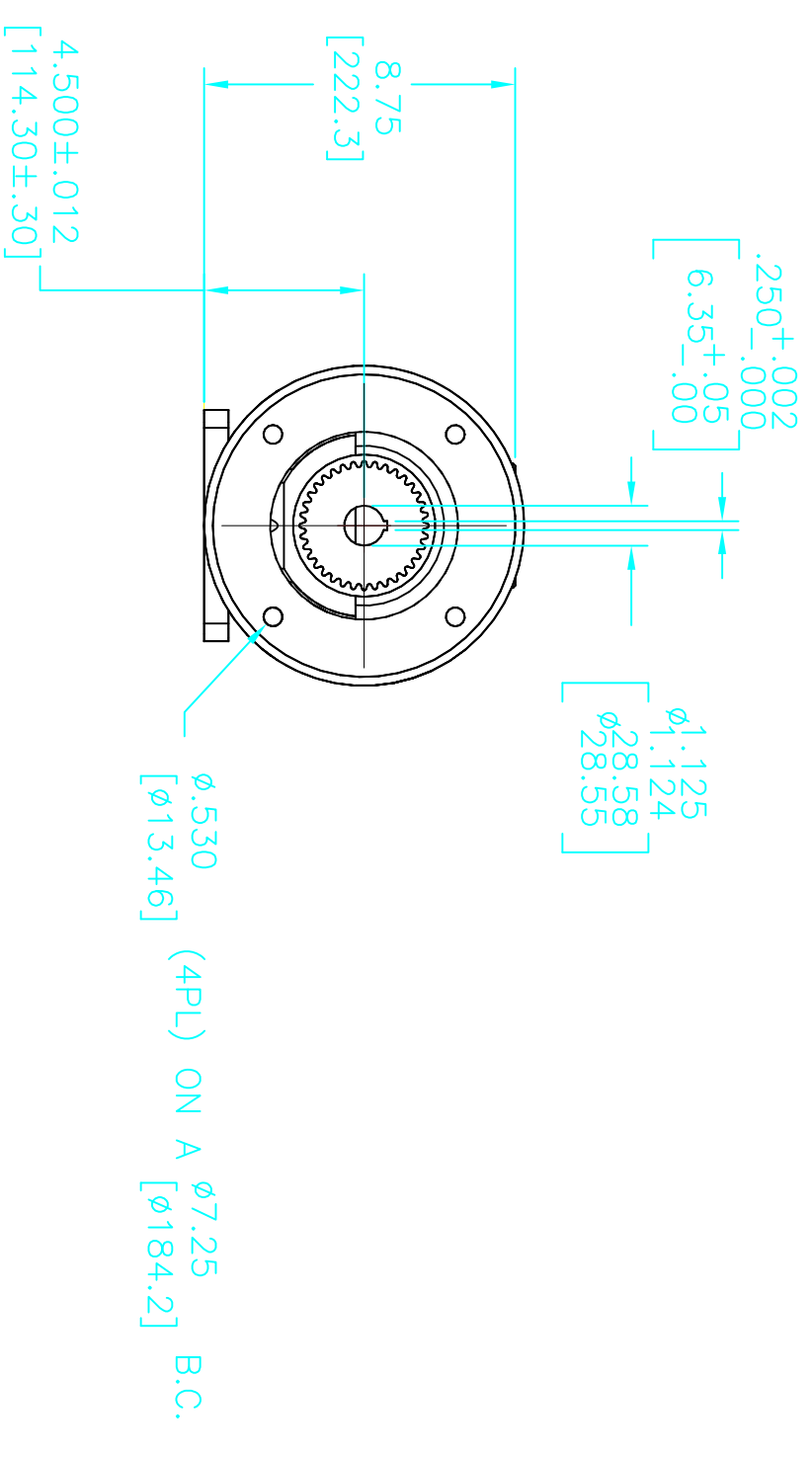
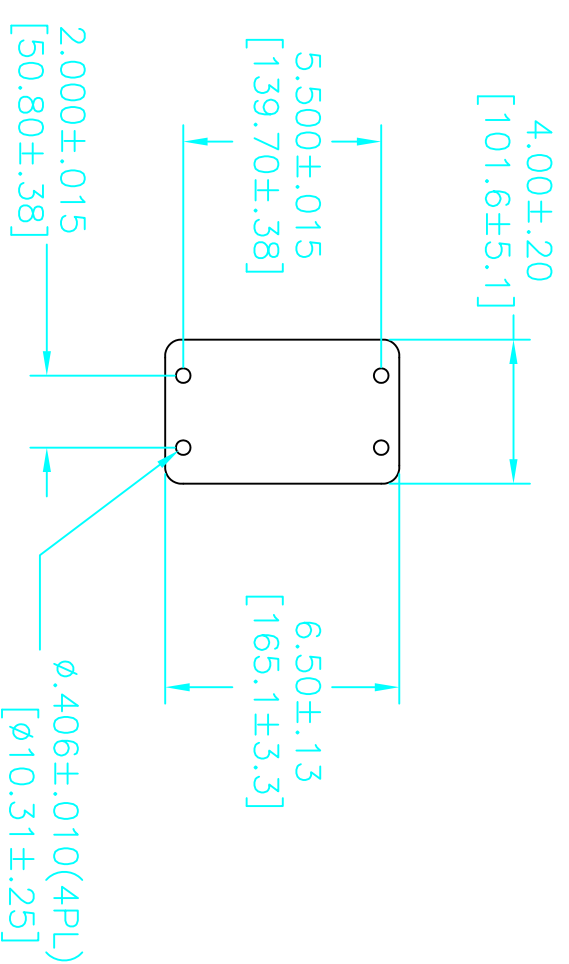
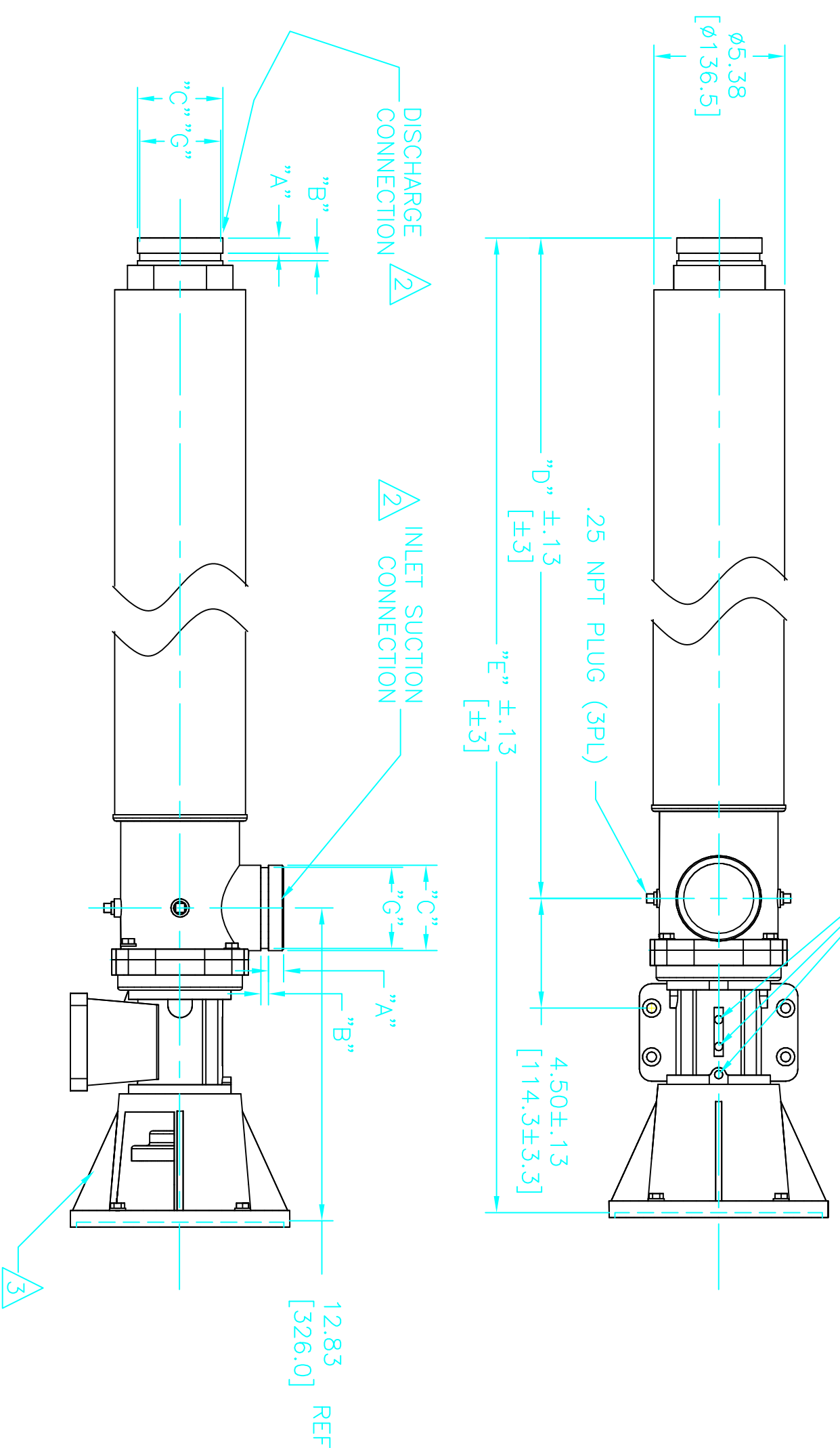


△ GREASE PORTS:
 LUBE CENTER FOR HORIZONTAL MOUNTING,
 LUBE LEFT AND CENTER FOR VERTICAL MOUNTING, MOTOR DOWN
 LUBE RIGHT AND CENTER FOR VERTICAL MOUNTING, MOTOR UP



MILLIMETERS
 15.88±.78
 7.94±.78
 88.90±.78

6

MODELS		"D"	"E"
		INCHES	[MM]
60HZ	50HZ		
SS5503G	SS5503G	14.49	368
SS5504G/8504G	SS5504G	16.46	418
SS5505G	SS5505G	18.43	465
SS8503G	SS8503G	14.49	368
SS12502G	SS12502G	14.69	373
			27.32
			694
			27.52
			699

NOTES:

- 1. DIMENSIONS ARE IN INCHES [MILLIMETERS].
- △ PUMP INLET AND DISCHARGE CONNECTIONS MATE WITH 3-INCH VICTAULIC TYPE CLAMPED UNIONS.
- △ PUMP INLET MAY BE ROTATED IN 90° INCREMENTS.
- △ PUMP AND MOTOR ADAPTER WILL ACCEPT NEMA 182TC, 184TC FRAME ELECTRIC MOTORS AND A WOODS FLEXIBLE COUPLING. THE FLANGE IS TO BE FLUSH WITH THE END OF THE PUMP SHAFT. FOR BELT DRIVE PUMPS THE BEARING FRAME SHAFT EXTENDS 1.75 INCH BEYOND THE END OF THE BEARING FRAME HOUSING WITH MOTOR ADAPTER REMOVED.
- △ SEE PUMP INSTRUCTIONS P/N 1116531 FOR ADDITIONAL INFORMATION ON INSTALLATION, STARTUP, AND MAINTENANCE.

REVISION HISTORY

REV	ZONE	DESCRIPTION	ECO	DWN	DATE	APVD
B		ADDED NOTE #4	-	PAS	20Nov084	WRM
C		REDDRAWN ON ACAD	3334	PLM	03Mar98	

NOTICE ON REPRODUCTIONS: THE PROPERTY OF GE POWER & WATER THEY ARE LOANED MERELY AND ON THE BORROWER'S EXPRESS AGREEMENT THAT THEY WILL NOT BE REPRODUCED, COPIED, LOANED, REPRODUCED, OR IN ANY MANNER BE REPRODUCED WITHOUT THE WRITTEN CONSENT OF GE POWER & WATER.

GE Power & Water
 Water & Process Technologies

FINISH	FRAC	TOLERANCES UNLESS NOTED	ANGLES	TITLE
	$\pm .1$	$\pm .1$		DWG, TF, OUTLINE
ORDER NO.	DWN	DATE	TWM	DATE
CUSTOMER	CHKD	DATE	WRM	DATE
CUSTOMER LOC.	APVD	DATE	WRM	DATE
DO NOT SCALE	APVD	DATE	APVD	DATE