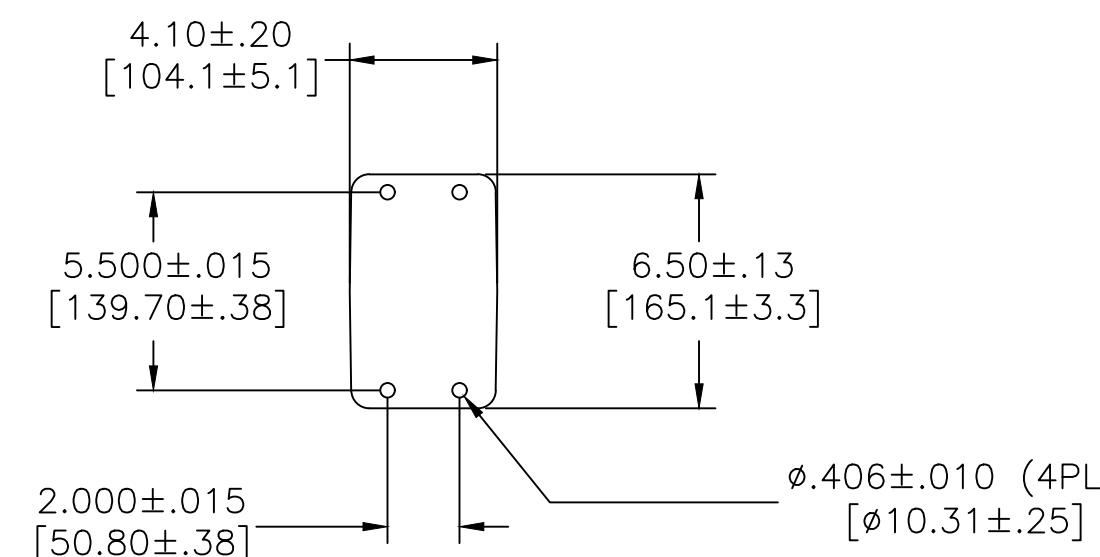
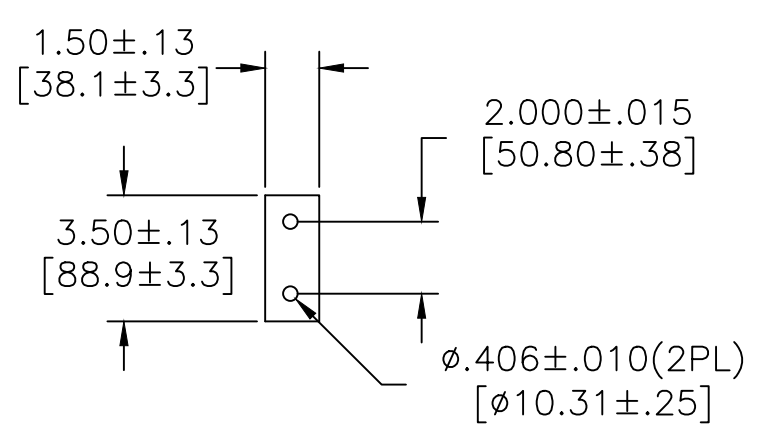
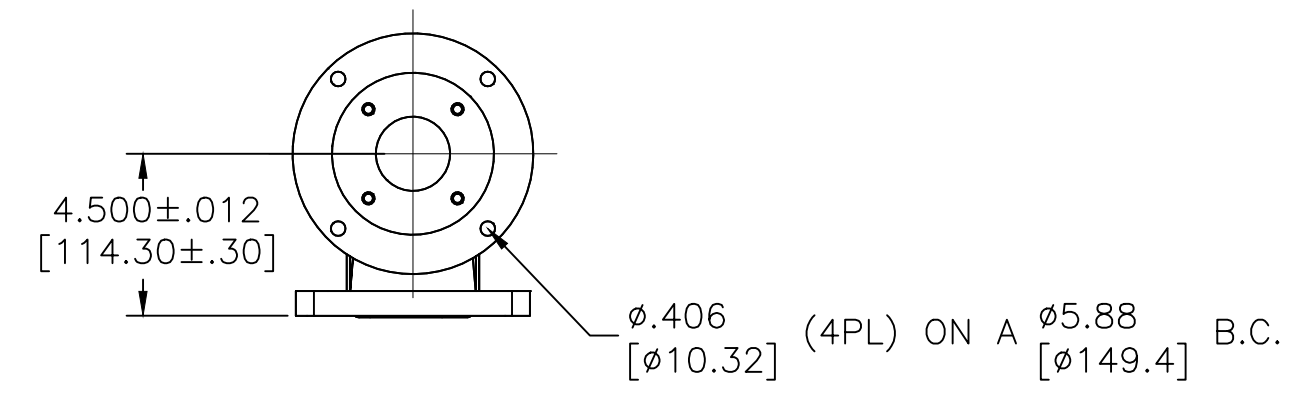
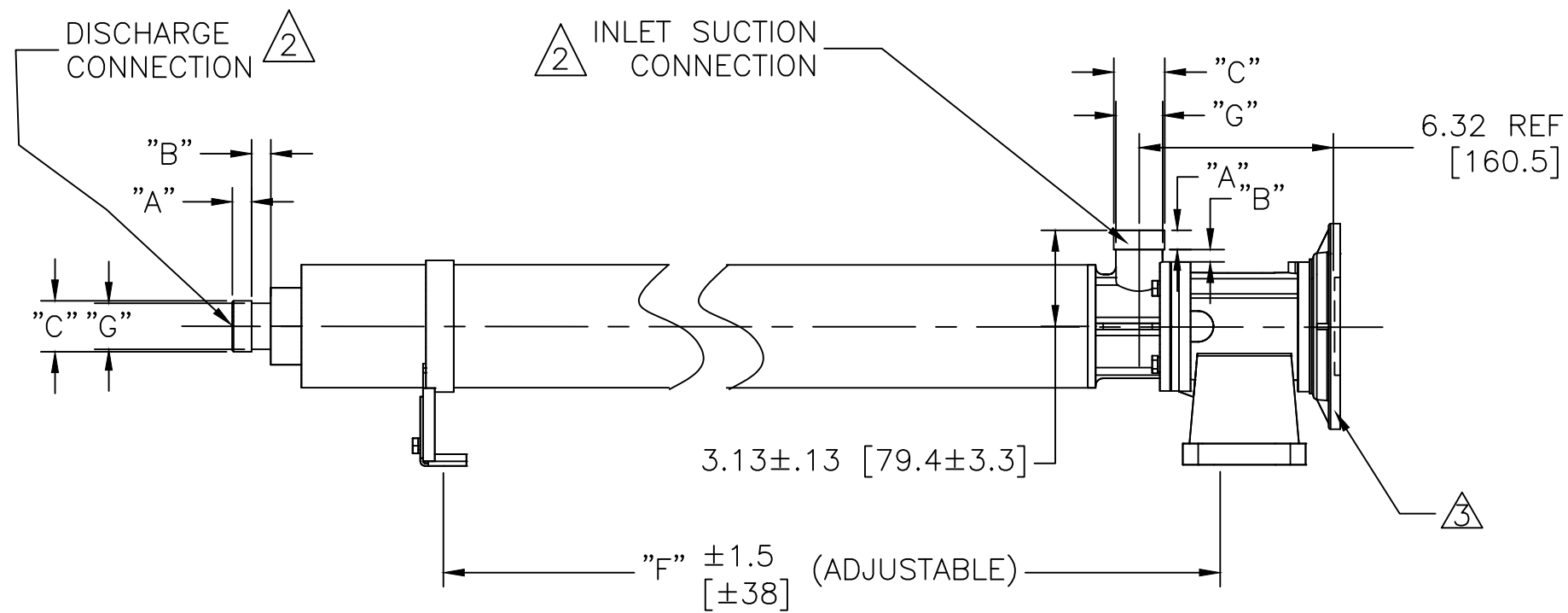
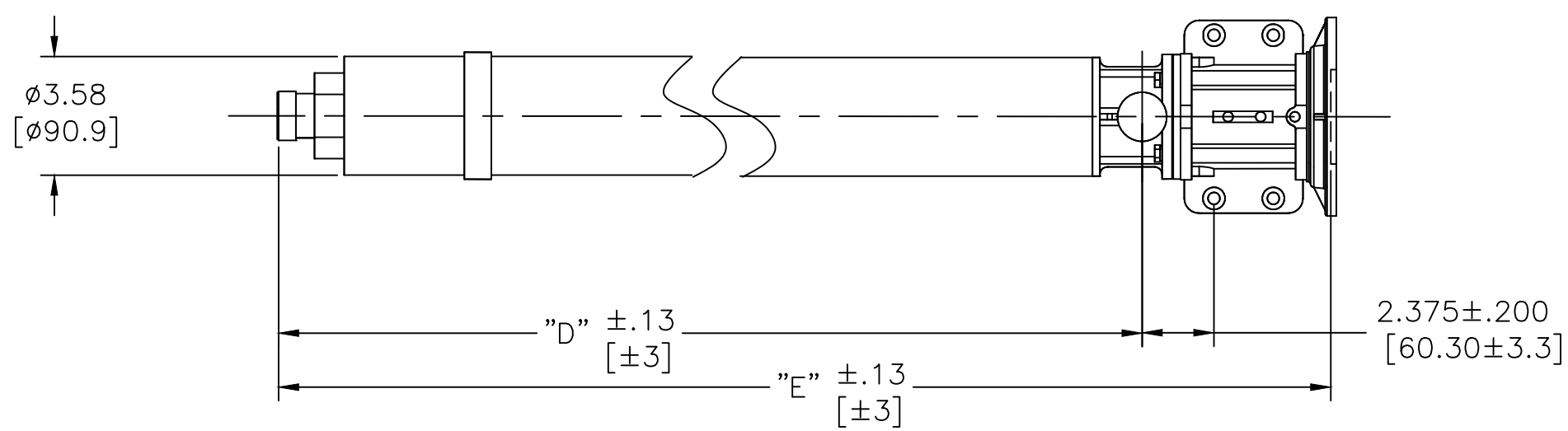


4

3

2

1



VICTAULIC® DIMENSIONS STANDARD 1.25" INLET & DISCHARGE CONNECTIONS		
ITEM	INCHES	MILLIMETERS
"A"	.625 ± .031	15.88 ± .78
"B"	.375 ± .031	9.53 ± .78
"C"	1.660 <sup>+.045</sup> <sub>-.031</sub>	48.16 <sup>+.114</sup> <sub>-.78</sub>
"G"	1.535 <sup>+.000</sup> <sub>-.020</sub>	39.00 <sup>+.00</sup> <sub>-.51</sub>

MODEL	"D" ± .12		"E" ± .12		"F" ± 1.5 IN	
	INCHES	[MM]	INCHES	[MM]	INCHES	[MM]
538AZ	32.12	(816)	38.62	(981)	31.50/28.50	800/873
2805AZ	13.15	(334)	19.65	(499)	NO FOOT	NO FOOT
2808AZ	17.63	(448)	24.13	(613)	NO FOOT	NO FOOT
1823AZ	27.96	(710)	34.46	(875)	26.50/20.50	573/521
1832AZ	36.12	(917)	42.62	(1082)	34.50/27.50	875/700

- NOTES:
- DIMENSIONS ARE IN INCHES [MILLIMETERS].
  - PUMP INLET AND DISCHARGE CONNECTIONS MATE WITH 1.25-INCH VICTAULIC TYPE CLAMPED UNIONS, EXCEPT 538AZ ARE 3/4" NPT FEMALE.
  - PUMP WITH MOTOR ADAPTER WILL ACCEPT NEMA 56C FRAME MOTOR WITHOUT BASE, EXCEPT MODELS 1823A AND 1832A WILL ACCEPT SPECIAL 5 HP 56C FRAME MOTOR (AVAILABLE FROM TONKAFLO PUMPS ONLY.) MODEL 538AZ REQUIRES 1.19 SF MOTOR.

E	SUEZ REBRANDING	131562	TG	SR	MS	20 Sep 18	TOLERANCES UNLESS NOTED
D	REDRAWN ON ACAD	3334	TDP	BJW	-	10 Jun 97	DECIMALS ANGLES
C	7.63 WAS 7.80	-	RLH	-	-	11 May 94	.X .1 2"
B	ADD 1.15 SF MOTOR	-	PFM	-	-	04 Apr 84	XX .03 FRAC
A	REDRAW	-	TWM	-	-	11 Apr 83	XXX .010
REV	DESCRIPTION	ECO	DWN	APPR	APPR	DATE	



CUSTOMER INFORMATION

DWG, TF, OUTLINE SS/SB500/  
1800/2800 "AZ" SERIES PUMP

DRAWING NUMBER			REVISION
1120846			E
REF.:-	DOC. OWNER:		
PROJECT NO.	PART/MATERIAL NO.	SCALE	SHEET
		1/3	C 1 OF 1