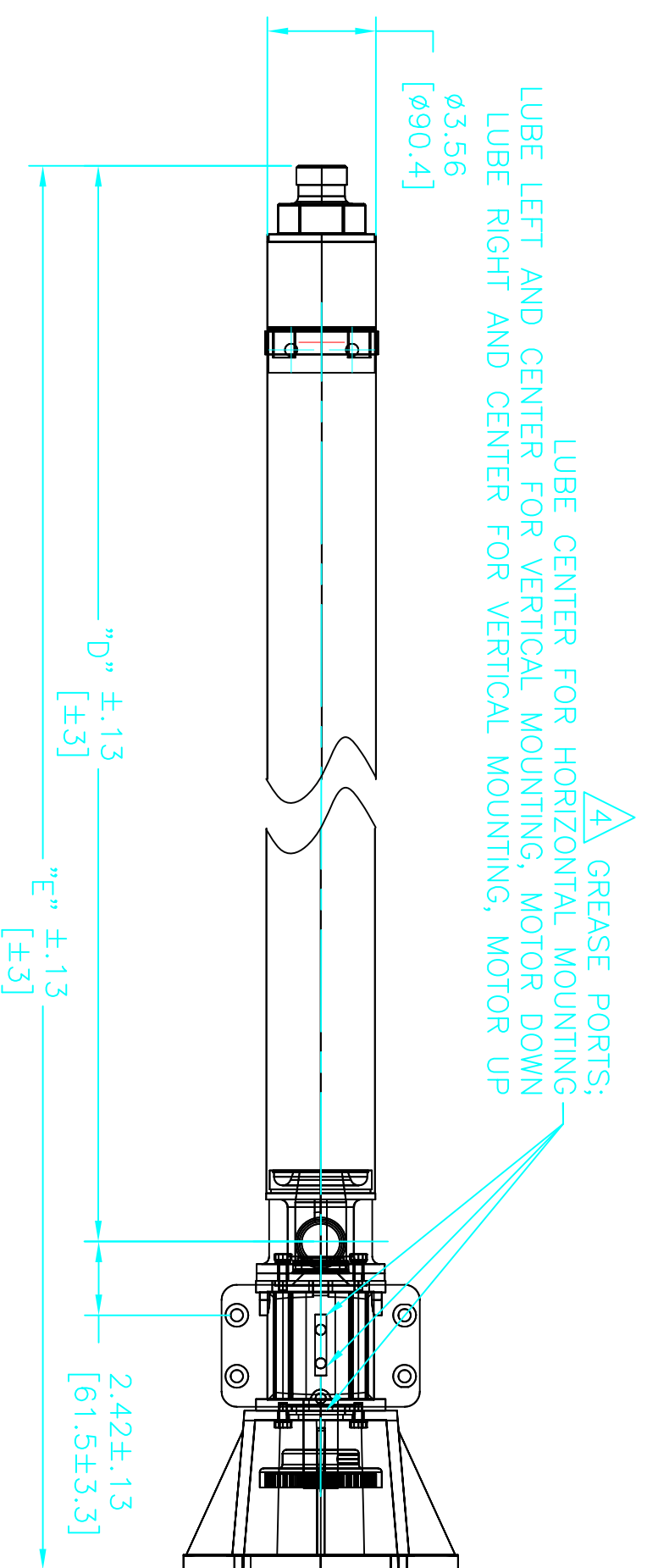


REVISION HISTORY

REV	ZONE	DESCRIPTION	ECO	DWN	DATE	APVD
H	-	CORRECT VIEWS		RLH	04MAY94	-
I	-	REDRAWN ON ACAD	3334	RLH	24JUN98	-

D

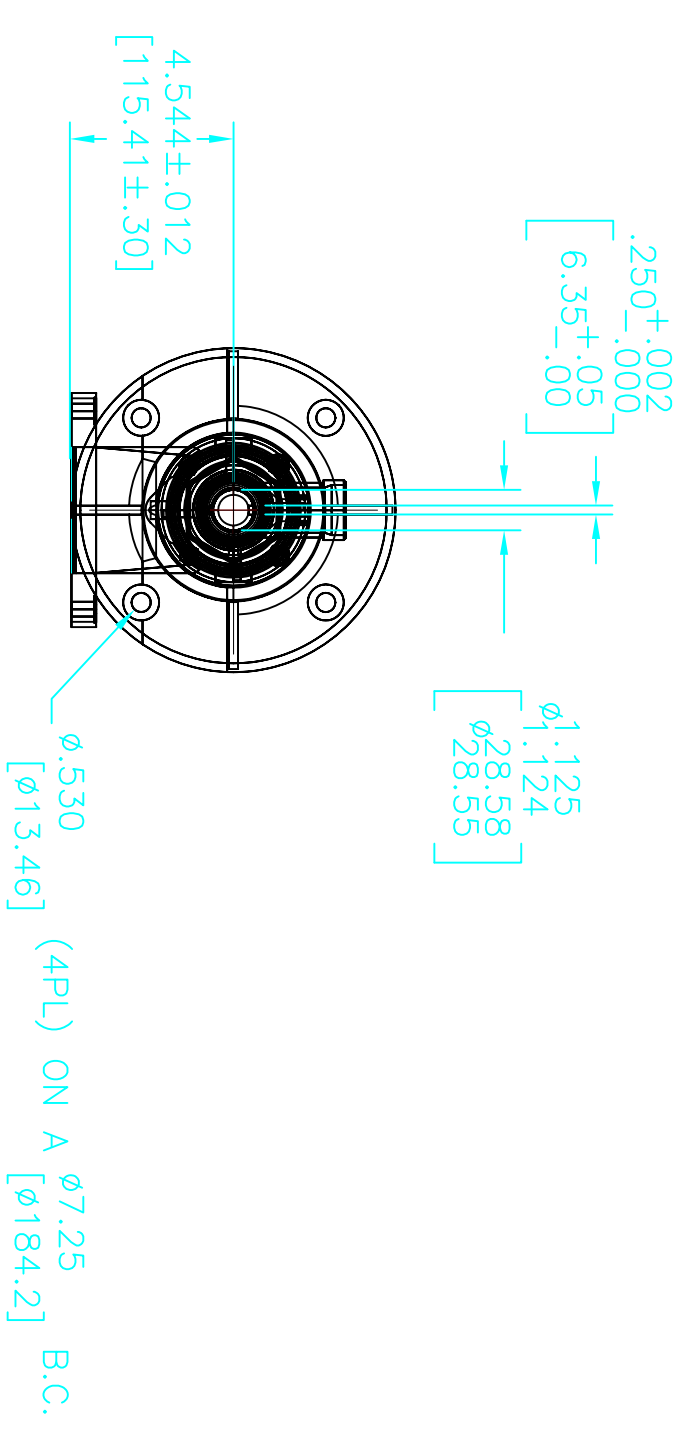
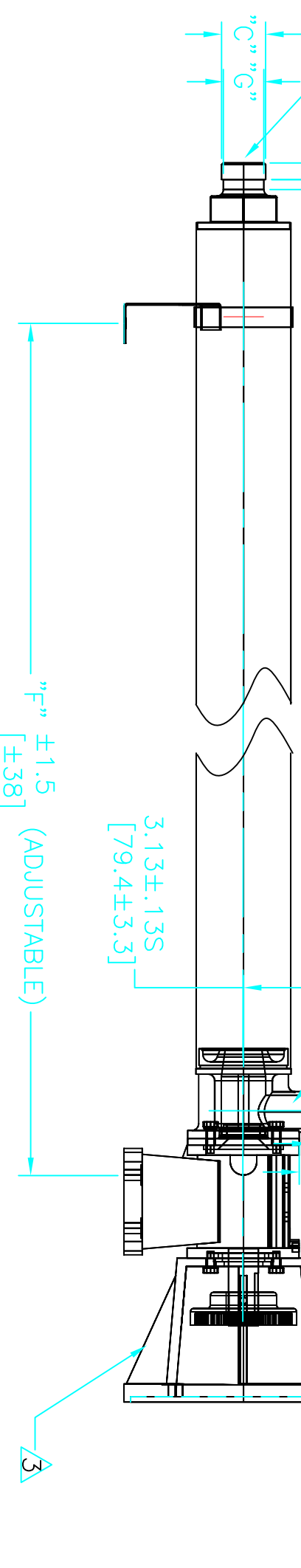


DISCHARGE CONNECTION

INLET SUCTION CONNECTION

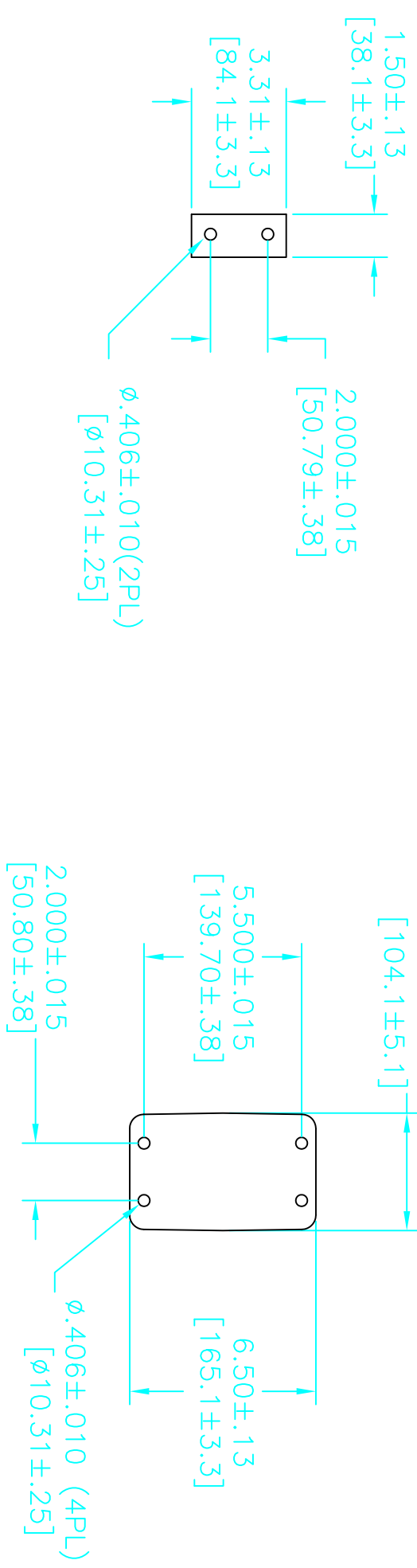
10.76 REF
[273.3]

C

VICTAULIC® DIMENSIONS
STANDARD 1.25" INLET &
DISCHARGE CONNECTIONS

ITEM	INCHES	MILLIMETERS
"A"	.625 ± .031	15.88 ± .78
"B"	.312 ± .031	7.92 ± .78
"C"	1.660 ± .045	48.16 ± .114
"G"	1.535 ± .020	39.00 ± .51

B



B

NOTES:

- DIMENSIONS ARE IN INCHES [MILLIMETERS].
- PUMP INLET AND DISCHARGE CONNECTIONS MATE WITH 1.25-INCH VICTAULIC TYPE CLAMPED UNIONS.
- PUMP INLET MAY BE ROTATED IN 90° INCREMENTS.
- PUMP AND MOTOR ADAPTER WILL ACCEPT NEMA 182TC, 184TC, 182TC AND 184TC FRAME MOTORS AND #6J WOODS FLEXIBLE COUPLING WITH #6JE SLEEVE.
- FOR 182TC AND 184TC FRAME MOTORS THE WOODS #6J FLANGE IS TO BE FLUSH WITH END OF PUMP DRIVE SHAFT
- SEE PUMP INSTRUCTIONS P/N 1123174 FOR ADDITIONAL INFORMATION ON INSTALLATION, STARTUP, AND MAINTENANCE.

MODELS

60HZ	50HZ	INCHES	[MM]	"D"	INCHES	[MM]	"E"	INCHES	[MM]	"F"	INCHES	[MM]
SS1823G	SS1823G	28.10	714	38.85	987	22.5	572					
SS1832G	SS1832G	36.30	922	47.05	1195	31.5	800					
SS1838G	SS1838G	45.18	1147	55.90	1420	39.5	1003					
SS2812G	SS2812G	23.75	604	34.50	876	17.5	445					
SS2816G	SS2816G	29.73	755	40.48	1028	23.5	597					
SS2823G	SS2823G	40.10	1018	52.63	1337	35.5	902					

NOTICE ON REPRODUCTIONS

THIS DRAWING, THE DESIGN OR THE REPRODUCTIONS THEREOF ARE THE PROPERTY OF GE POWER & WATER. THEY ARE LOANED MERELY AND ON THE BORROWER'S EXPRESS AGREEMENT THAT THEY WILL NOT BE REPRODUCED, COPIED, LOANED, EXHIBITED, NOR FORWARDED TO ANY OTHER PERSON WITHOUT THE PERMISSION OF GE POWER & WATER. CONSENT IS GIVEN.

MATERIAL TOLERANCES UNLESS NOTED AS FOLLOWS:

FINISH	FRACTION	TOLERANCES UNLESS NOTED	ANGLES
	\pm	$\pm .1$	$\pm 2'$
	$.XX \pm .03$		
	$.XXX \pm .010$		



GE Power & Water
Water & Process Technologies

DWG, TF, OUTLINE

SS1800/2800 "G" BEARING FRAME

ORDER NO.	CHKD	WM	DATE	22MAY91	SIZE	DWG NO./FN	REV
CUSTOMER	APVD	WRM	DATE	22MAY91	THIRD ANGLE	1120778	1
CUSTOMER LOC.	APVD	WRM	DATE	22MAY91	FILE TYPE	ACAD	SHEET 1 OF 1
DO NOT SCALE	APVD	APVD	DATE		SCALE	3/16" = 1"	