



Motors

Wednesday, April 25, 2012

Technical Data Center
PO Box 2204
Fort Wayne, IN 46801-2204

CE PRINTS FOR APPROVAL PACKAGE

Return 'For Approval' prints to the GE Field Sales Engineer or Customer Care Contact. The order is on hold until prints are approved and returned. When approved prints are received by GE, current leadtimes will apply.

Approved by: _____ Date: _____

Customer Order / Item:	PM294905	Sales Order No:	5200009630
Customer Part:	None	Order Line No:	15.1

MODEL NUMBER:	5KS284SAA156	Estimated Weight:	209.09 Kg
Outline Drawing:	4002B5828PBP5409	Time Rating:	CONT
Connection Diagram:	GEM2034E-FIG109	Enclosure:	TEFC
Instruction Book:	GEI-56128	Encl Construction:	X\$D
Design Code:	28BD0071A	Ambient Max(°C):	40
Type:	KS	Insulation Class:	H
Frame:	284TSC	NEMA Design:	B
Phases:	3	Nominal Efficiency:	92.4%
Poles:	2	Guaranteed Efficiency:	91.7%
Output Power:	25HP 18.6KW	3/4 Load Efficiency:	93.5%
RPM:	3550	KVA Code:	G
Voltage:	230/460	Max KVAR:	3.3
Hertz:	60	Power Factor:	93.0
Amps - FL:	54.4/27.2	Bearing - DE:	6310ZC3
Service Factor:	1.15	Bearing - ODE:	6310ZC3
Alt Service Factor:	--		

Enclosure is Totally Enclosed Fan-Cooled

Stamped Nameplate Notes:

ALTERNATE RATING FOR PWM CONTROL: 1.0SF 40C AMB
INVERTER DUTY CONSTANT TORQUE RANGE:15-60 HZ
ROT CW FACING ODE LEAD/PH SEQUENCE U-V-W/U-V-W
THERMOSTAT LEADS PC-PC
STAMP NP235A3521AA AS FOLLOWS
KW 18.643 ; DUTY S1 ; IC411 ; IP55 ; IM B34
MASS 208 KG ; MIN AMB -15 DEG C ; MAX ALT 1000 M
MFG YEAR XXXX; GE ORDER# XXXXXXXXXX
NOTE TO MFG: STAMP NP WITH CURRENT YEAR
NOTE TO MFG: STAMP NP WITH GE ORDER#
EN60034-1,5,6,7,8,9

Additional Information:

2P - TS EXTN
C/BOX 137 CU IN-1.50 NPT



Motors

Wednesday, April 25, 2012

Technical Data Center
PO Box 2204
Fort Wayne, IN 46801-2204

CE PRINTS FOR APPROVAL PACKAGE

Return 'For Approval' prints to the GE Field Sales Engineer or Customer Care Contact. The order is on hold until prints are approved and returned. When approved prints are received by GE, current leadtimes will apply.

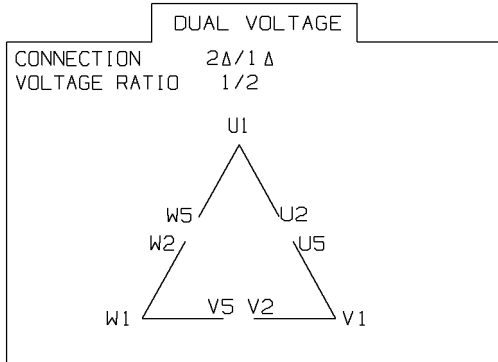
Approved by: _____

Date: _____

F1 CONDUIT BOX MOUNTING
THERMOSTAT LEADS EXIT WITH MOTOR LEADS
"C" FACE AT DE ENDSHIELD AK=10 1/2"
LEADS NUMBERED U,V,W - CW ROTN FROM ODE
CE MARK MOTOR
OIL RESISTANT SLEEVING ON LEADS
THOMAS & BETTS TERMINALS ON LEADS
UTDR FOR 5KS284LAA120 EXCEPT BUILT IN ULTRA.
NOTE TO MANUFACTURING:
STAMP EXTRA MAIN NAME PLATE NP249A5570AF AS PER MODEL -
5KS284SAA157 AND PLACE EXTRA NAME PLATE ON FAN COVER

Diagrams for Model: 5KS284SAA156

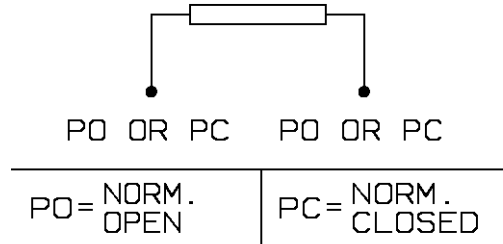
**Connection Diagram
GEM2034E-FIG109**



	VOLTS	L1	L2	L3	TOGETHER
2Δ	LOW	U1-W2 U5	V1-U2 V5	W1-V2 W5	
1Δ	HIGH	U1	V1	W1	U2-U5, V2-V5, W2-W5

**Thermostat Connection
3027JE-2**

FIG. 2
THERMOSTAT CONN.



Performance Characteristics

1st Winding 1st Connection

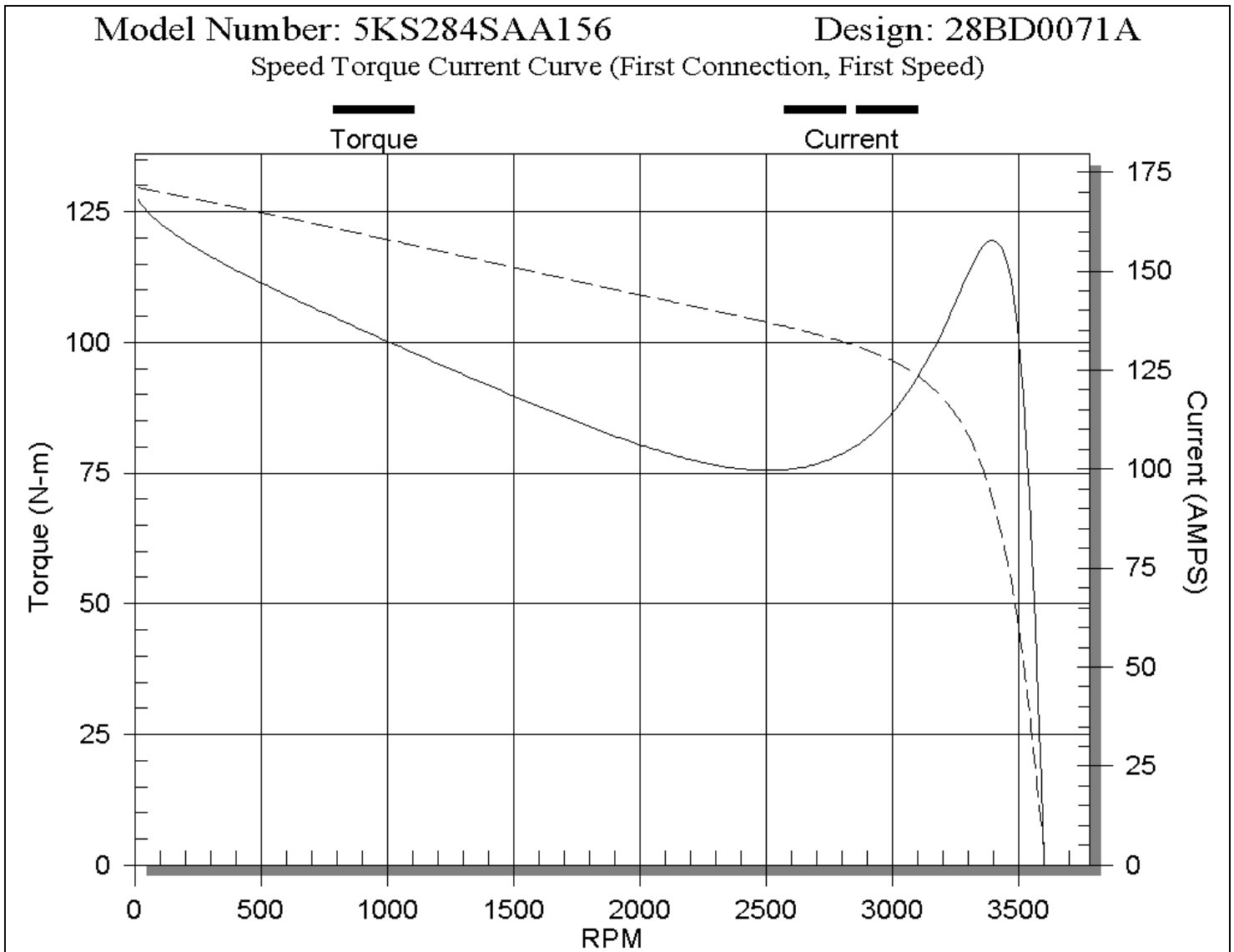
Design: 28BD0071A

LOAD %	125.0	115.0	100.0	75.0	50.0	25.0	0.0
% EFF	91.92	92.36	92.40	93.50	93.32	90.53	0.00
% PF	92.30	92.65	93.00	92.64	90.19	79.04	11.40
AMPS	34.47	31.44	27.20	20.26	13.90	8.17	4.56

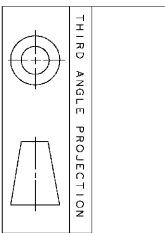
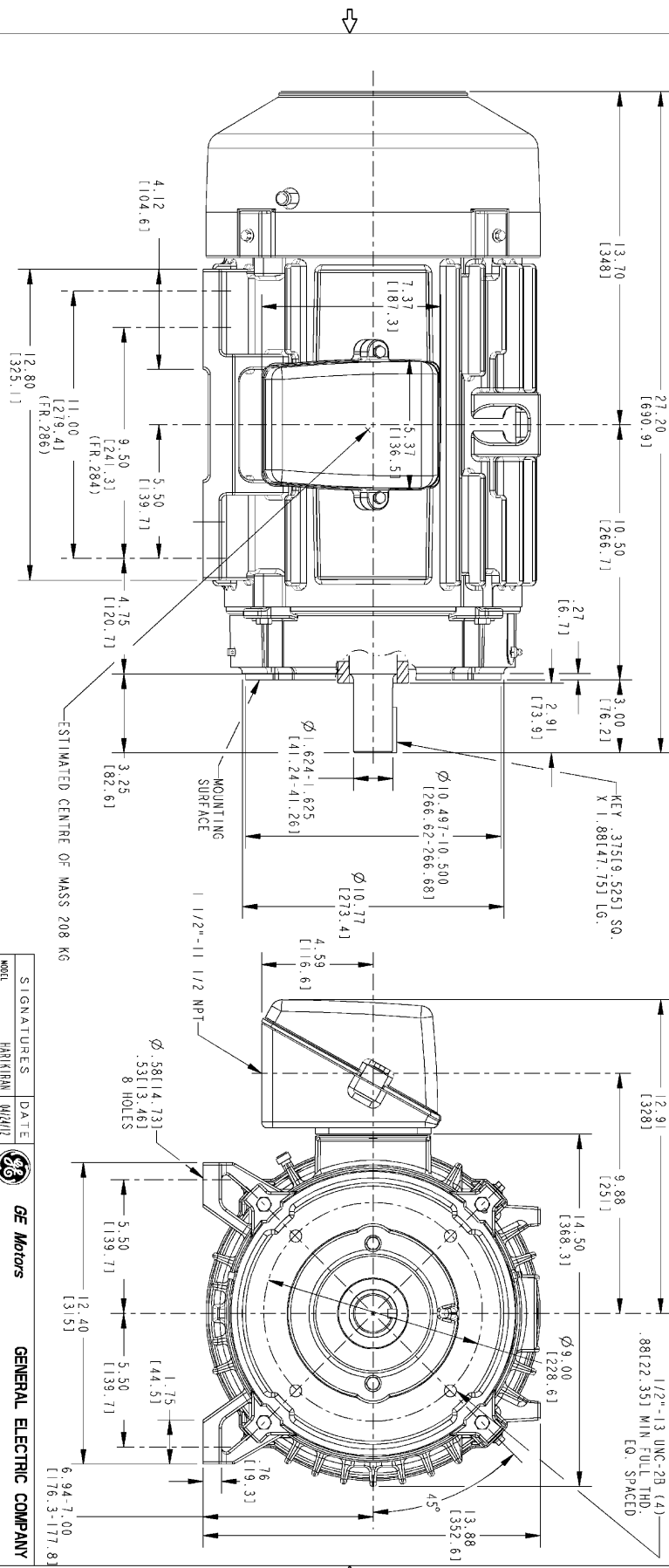
TORQ(FL)N-m 50.14 **TORQ(LR)%FL** 258.26 **TORQ(BD)%FL** 237.65
AMPS(LR) 171.18 **PF AT START** 0.42

This motor is capable of two cold or one hot start with a maximum connected load inertia of 127.0 Lb-Ft Sq (5.4 Kg-meter Sq) at 100% voltage, where the load torque varies with the square of the speed. Acceleration time with maximum inertia and the above load type is 26 seconds. Safe stall time at 100% voltage is 45 seconds cold, 37 seconds hot. Rotor inertia is 3.25 Lb-Ft Sq (0.137 Kg-meter Sq).

Open Circuit A-C: 1.154 **Short Circuit D-C:** 0.015
Short Circuit A-C: 0.027 **X/R Ratio:** 5.525
Stator Slots: 48 **Rotor Slots:** 38



NOTE 1: CONDUIT BOX MAY BE ASSEMBLED WITH ENTRANCE UP, DOWN OR TO EITHER SIDE.
 NOTE 2: F1 ASSEMBLY AS SHOWN. F2 ASSEMBLY CONDUIT BOX ON OPPOSITE SIDE FROM SHOWN LOCATION.
 NOTE 3: MOUNTING SURFACES WILL BE SQUARE AND CONCENTRIC WITH SHAFT WITHIN .004 T.I.R.
 NOTE 4: SHAFT RUNOUT WILL NOT EXCEED .002 T.I.R.



DEGREE OF PROTECTION	IP 55
METHOD OF COOLING	IC411
MOUNTING ORIENTATION	IM B34

SIGNATURES	DATE	GE Motors	GENERAL ELECTRIC COMPANY
MODEL: HARIKIRAN	04/2012		
DRAWN: HARIKIRAN	04/2012		
CHECKED: VIJAY	04/2012		
ENGINEER: HARIKIRAN	04/2012		
QUALITY: HARIKIRAN	04/2012		
ISSUED: HARIKIRAN	04/2012		
SOLID MODEL: 4002B5828PBP5409			
SCALE: 0.250	REF. No: 4002B5828PBP5221		
SHEET 1 OF 1			

TITLE: INDUCTION MOTOR OUTLINE
 "C" FACE AT DRIVE END (0.50" RABBIT) CE MARK
 FMEFR280TSC TEFC XSD ULTRA
4002B5828PBP5409
 SIZE DRAWING: B
 REF. No: 4002B5828PBP5221



Manufacturer's Declaration of Conformity

Manufacturer's Name and Address:

GE Motors

General Electric Company
1030 Swinney Avenue
Fort Wayne, IN 46802

We declare, under our sole responsibility, products identified in this declaration are in conformity with the essential requirements of Council Directives listed below:

The electrical apparatus for which this declaration is issued, GE Motor Model number **5KS284SAA156**, manufactured in the year **2012** is in conformity with the instructions of (2006/95/EC) Low Voltage. The conformity with the instructions of this directive is provided by compliance with the essential health and safety requirements of the following European standards:

- EN60034-1: 2006-06 Rotating Electrical Machines - Part 1: Rating and Performance
- EN60034-5: 2007-01 Rotating electrical machines - Part 5: Degrees of protection provided by the integral design of rotating electrical machines (IP Code) - Classification.
- EN60034-6: 1994 Rotating electrical machines- Part 6: Methods of cooling (IC Code)
- EN60034-7: 1993 Rotating electrical machines - Part 7: Classification of types of constructions, mounting arrangements and terminal box position (IM Code) (Amended to A1: 2000)
- EN60034-9: 2005 Rotating electrical machines - Part 9: Noise limits (Amended to A1: 2007)

The Technical Construction File is maintained on behalf of the manufacturer by:

Name: Alessandro Venturi
Title: Region Manager Europe, Middle East, Africa
Address: General Electric International
Via Roberto Lepetit 8/10
20124 Milano, Italy
Phone/Email: +39 0267335705 / alex.venturi3@ge.com

The Responsible Person, based within the European Community is:

Name: Alessandro Venturi
Title: Region Manager Europe, Middle East, Africa
Address: General Electric International
Via Roberto Lepetit 8/10
20124 Milano, Italy
Phone/Email: +39 0267335705 / alex.venturi3@ge.com

The Authorized Signatory to this declaration, on behalf of the manufacturer, is:

Name: Pat Morello
Title: General Manager, Motors and Controls
Address: General Electric Company
1635 Broadway

Fort Wayne, IN 46801 USA

Phone /Email: 260-402-0937 / Pat.morello@ge.com

Signature: _____

Date: _____ Wednesday, April 25, 2012



Manufacturers Declaration of Incorporation
(per Annex IIB of the Machinery Directive (2006/42/EC))

We declare, under our sole responsibility, that the products identified in this declaration, are in conformity with the relevant protection requirements of Council Directives listed below:

2006/42/EC Machinery
EN60204-1 Safety of Machinery

This equipment identified as GE Motor Model number **5KS284SAA156** is intended for incorporation into, or assembly with, other machinery to constitute machinery covered by Directive 2006/42/EC, and cannot function independently. It is not interchangeable equipment and therefore does not comply in every respect with the provisions of said Directive, and must not be put into service until the machinery into which it is to be incorporated or assembled has been declared in conformity with the provisions of the applicable Directive.

The Responsible Person, based within the European Community is:

Name: Domenico Amoruso
Title: Sales Manager Europe, Middle East
Address: General Electric
 Via San Girolamo 31 Pal.F
 70123 BARI, ITALY
Phone/Email: +39 080 5052 212 / domenico.amoruso@ge.com

The Authorized Signatory to this declaration, on behalf of the manufacturer, is:

Name: Pat Morello
Title: General Manager, Motors and Controls
Address: General Electric Company
 1635 Broadway
 Fort Wayne, IN 46801 USA
Phone /Email: 260-402-0937 / Pat.morello@ge.com

Signature: 

Date: Wednesday, April 25, 2012