



Motors

Tuesday, October 01, 2013

Technical Data Center
PO Box 2204
Fort Wayne, IN 46801-2204

PRINTS FOR APPROVAL PACKAGE

Return 'For Approval' prints to the GE Field Sales Engineer or Customer Care Contact. The order is on hold until prints are approved and returned. When approved prints are received by GE, current leadtimes will apply.

Approved by: _____ Date: _____

Customer Order / Item:	Sales Order No: 5200012285
Customer Part:	Order Line No: 13.1

MODEL NUMBER: 5KS254SAA189	Estimated Weight: 315 Lbs
Outline Drawing: 4002B5825PDP5437	Alt Service Factor: --
Connection Diagram: GEM2034E-FIG3	Time Rating: CONT
Instruction Book: GEI-56128	Enclosure: TEFC
Design Code: 25BD0090A	Encl Construction: X\$D
Type: KS	Ambient Max(°C): 40
Frame: 254TCZ	Alt Ambient Max(°C): --
Phases: 3	Insulation Class: H
Poles: 2	NEMA Design: B
Output Power: 15HP 11.2KW	Nominal Efficiency: IE3-91%
RPM: 3550	KVA Code: G
Voltage: 230/460	Max KVAR: 2.9
Hertz: 60	Power Factor: 89.0
Amps - FL: 34.6/17.3	Bearing - DE: 6310ZC3
Service Factor: 1.15	Bearing - ODE: 6309ZC3

Enclosure is Totally Enclosed Fan-Cooled

Stamped Nameplate Notes:

ROT CW FACING ODE LEAD/PH SEQUENCE 1-2-3/1-2-3
ROT CCW FACING ODE LEAD/PH SEQUENCE 3-2-1/1-2-3
IP 55
STAMP NP235A3521AA AS FOLLOWS
KW: 11.186 ; POLE: 2 ; IEC DESIGN: NA
NOM EFF: IE3-91%; 3/4 EFF: 91.8%; 1/2 EFF: 91.7%
EN60034-1 ; MFG YEAR XXXX ; DUTY: S1
IP: 55 ; IM: B14 ; IC: 411
MIN. AMB.: -25 DEG C ; MAX ALT: 1000 M
GE JOB # XXXXXXXX ; MASS 144 KG
NOTE TO MFG: STAMP NP WITH CURRENT YEAR
NOTE TO MFG: STAMP NP WITH GE ORDER#
INVERTER DUTY PER NEMA MG1 PART 31
ALTERNATE RATING FOR PWM CONTROL:1.0SF 40C AMBIENT
CONSTANT TORQUE RANGE: 15-60 HZ



Motors

Tuesday, October 01, 2013

Technical Data Center
PO Box 2204
Fort Wayne, IN 46801-2204

PRINTS FOR APPROVAL PACKAGE

Return 'For Approval' prints to the GE Field Sales Engineer or Customer Care Contact. The order is on hold until prints are approved and returned. When approved prints are received by GE, current leadtimes will apply.

Approved by: _____ Date: _____

VAR TORQUE RANGE 0-60 HZ

Additional Information:

2P - TZ EXTN

C/BOX 137 CU IN-1.25 NPT

F1 CONDUIT BOX MOUNTING

"C" FACE AT DE ENDSHIELD AK=8 1/2" ROUND FRAME

CE MARK MOTOR

OIL RESISTANT SLEEVING ON LEADS

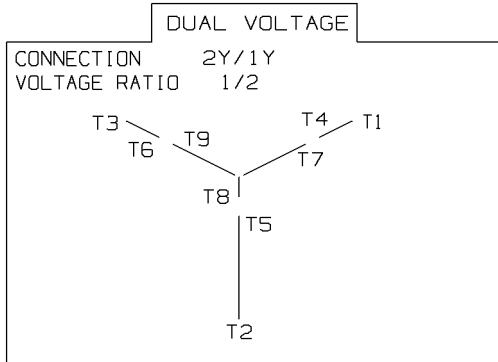
INPRO SEAL DE, SLINGER ODE

THOMAS & BETTS TERMINALS

SPECIAL SHAFT EXTENSION & KEY TO MATCH 210TC FRAME

Diagrams for Model: 5KS254SAA189

**Connection Diagram
GEM2034E-FIG3**



	VOLTS	L1	L2	L3	TOGETHER
2Y	LOW	T1-T7	T2-T8	T3-T9	T4-T5-T6
1Y	HIGH	T1	T2	T3	T4-T7, T5-T8, T6-T9

Performance Characteristics

1st Winding 1st Connection

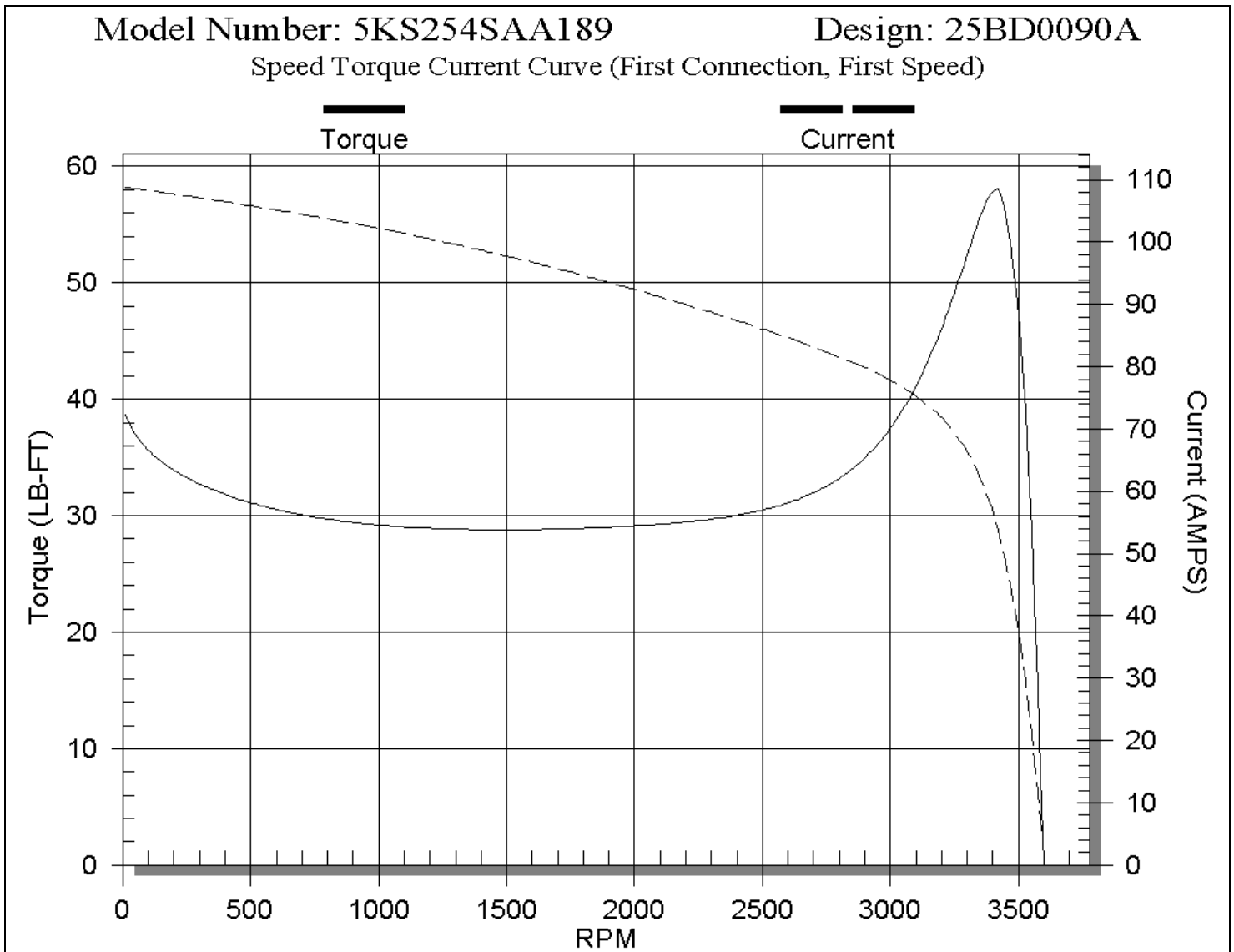
Design: 25BD0090A

LOAD %	125.0	115.0	100.0	75.0	50.0	25.0	0.0
% EFF	89.46	90.12	91.00	91.83	91.73	88.48	0.00
% PF	88.59	89.00	89.00	88.22	83.76	67.67	9.55
AMPS	22.14	20.13	17.30	13.00	9.14	5.86	4.02

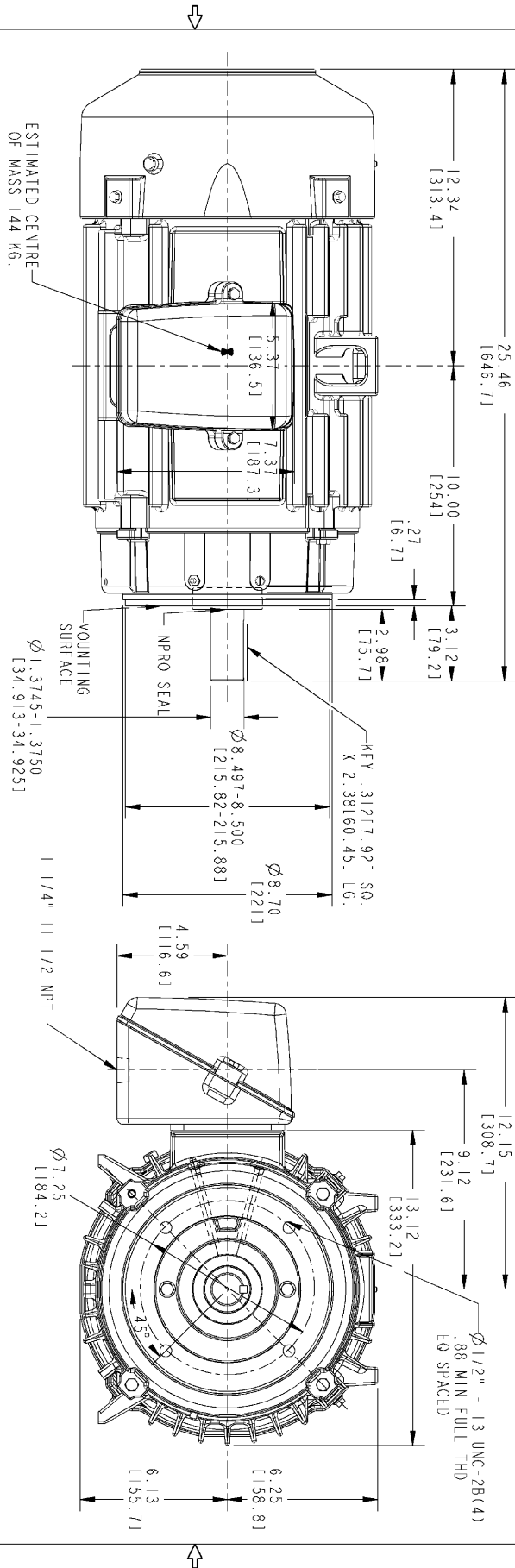
TORQ(FL)#FT 22.19 TORQ(LR)%FL 182.50 TORQ(BD)%FL 260.76
 AMPS(LR) 108.87 PF AT START 0.30

This motor is capable of two cold or one hot start with a maximum connected load inertia of 109.0 Lb-Ft Sq (4.6 Kg-meter Sq) at 100% voltage, where the load torque varies with the square of the speed. Acceleration time with maximum inertia and the above load type is 50 seconds. Safe stall time at 100% voltage is 94 seconds cold, 60 seconds hot. Rotor inertia is 1.05 Lb-Ft Sq (0.044 Kg-meter Sq).

Open Circuit A-C: 0.842 Short Circuit D-C: 0.013
 Short Circuit A-C: 0.031 X/R Ratio: 4.800
 Stator Slots: 36 Rotor Slots: 26



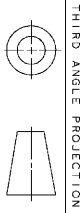
NOTE 1: CONDUIT BOX MAY BE ASSEMBLED WITH ENTRANCE UP, DOWN OR TO EITHER SIDE.
 NOTE 2: F1 ASSEMBLY AS SHOWN. F2 ASSEMBLY CONDUIT BOX ON OPPOSITE SIDE FROM SHOWN LOCATION.
 NOTE 3: MOUNTING SURFACES WILL BE SQUARE AND CONCENTRIC WITH SHAFT WITHIN .004 T.I.R.
 NOTE 4: SHAFT RUNOUT WILL NOT EXCEED .002 T.I.R.



SIZE DRAWING NO. **4002B5825PDP5437 0** REV. 1 SHEET

REV.	DESCRIPTION	DATE	APPROVED

DEGREE OF PROTECTION	IP55
METHOD OF COOLING	IC411
MOUNTING ORIENTATION	IMB14



SIGNATURES	DATE	GE Motors GENERAL ELECTRIC COMPANY TITLE: OUTLINE FR250TCZ TFC, C-FACE 8.5" RABBIT, EXTN. SPL. ROUND FRAME, CE MARK, INPRO SEAL 4002B5825PDP5437 SCALE: 0.250 REF. No: 4002B5825PDP5316 SHEET 1 of 1
MODEL: HAREHARAN	08/28/13	
DRAWN: HAREHARAN	08/28/13	
CHECKED: VIJAY	08/28/13	
ENG: -	-	
QUALITY: HAREHARAN	08/28/13	REV. 0